

24' x 24' x 8' Backyard Building with Optional Center Girts and Floor Kit Instructions

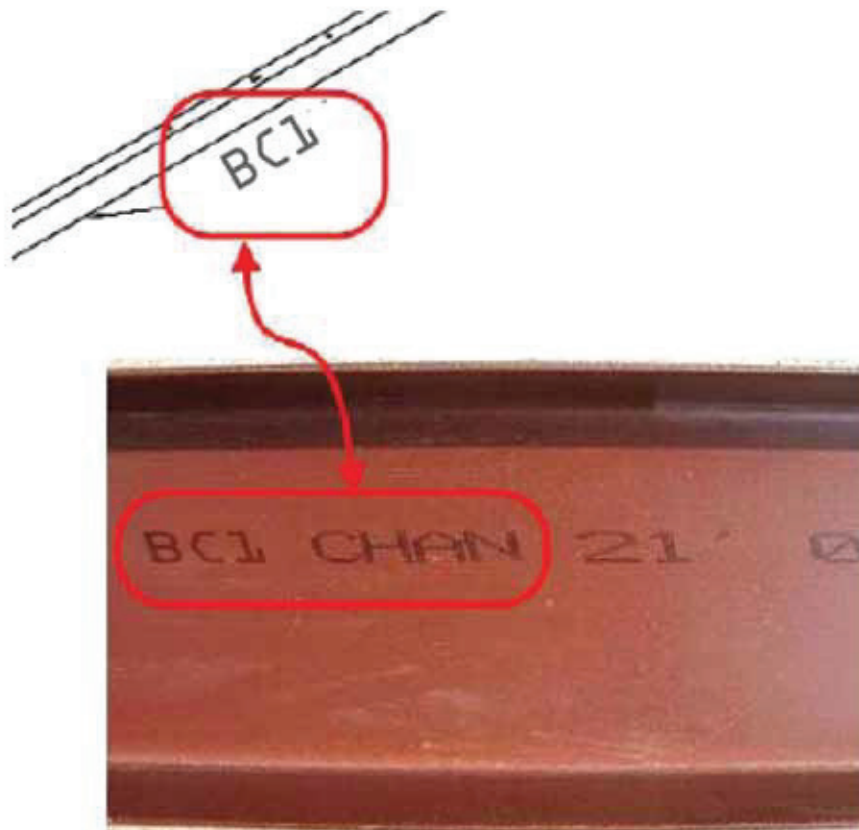
Mueller Backyard Building Kits are not engineered structures and do not meet any specific building code criteria.
For video installation instructions, visit our website at www.muellerinc.com/downloads-home/videos-home

877-2- MUELLER • www.muellerinc.com



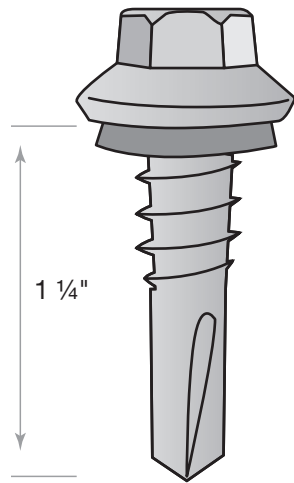
PARTS LIST

Refer to the parts list on the itemized invoice delivered with your building. All parts are stenciled on the inside of the channel, purlin, girts and rafters. Example of this below:

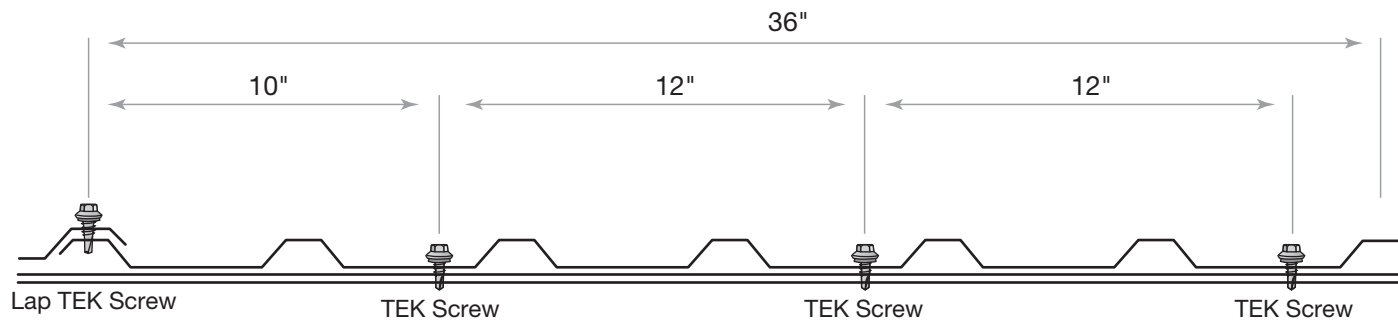
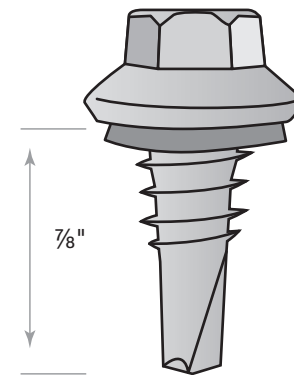


TYPES OF SCREWS

TEK Screw
For attaching sheet metal to purlin

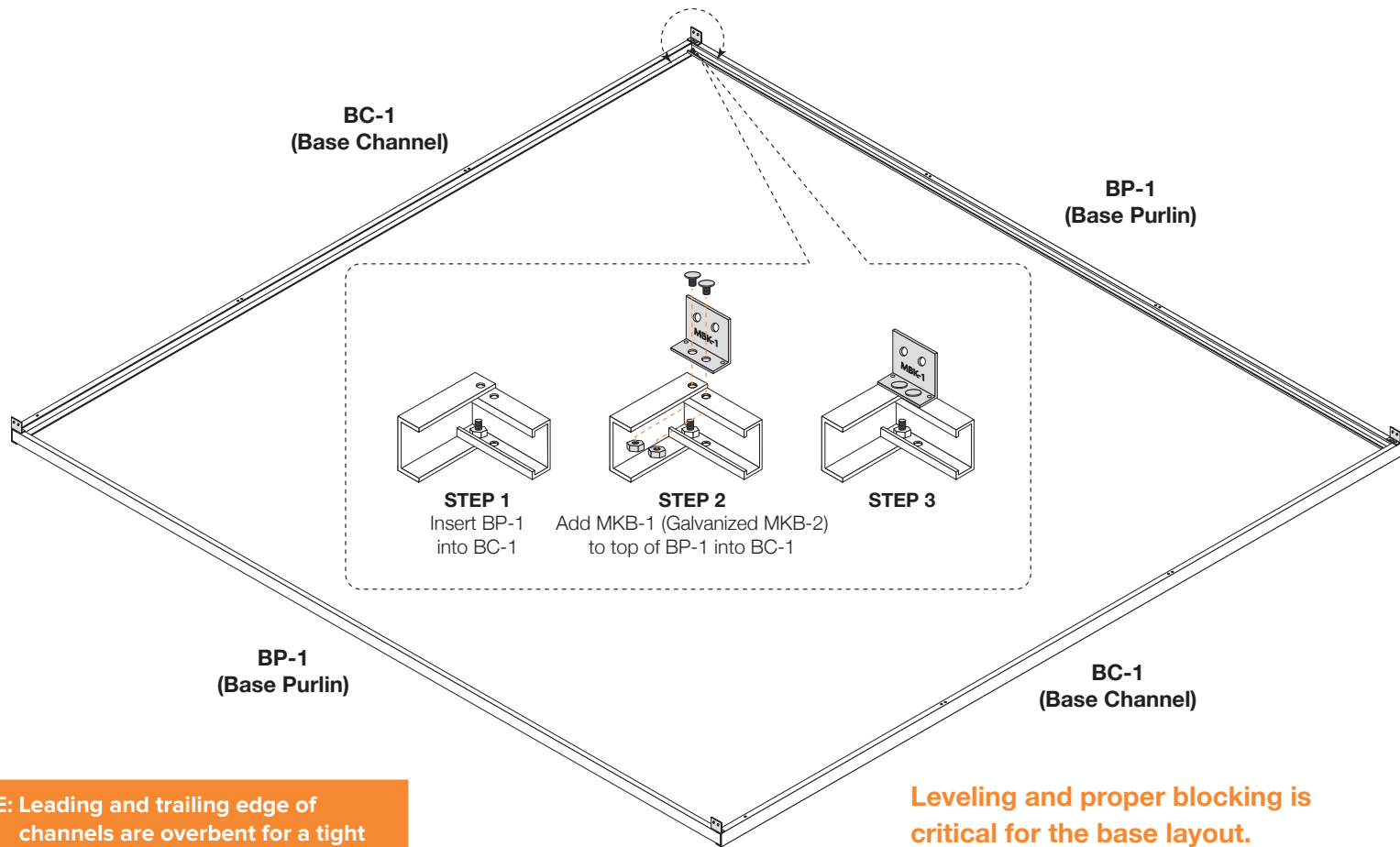


Lap TEK Screw
For attaching sheet metal to sheet metal



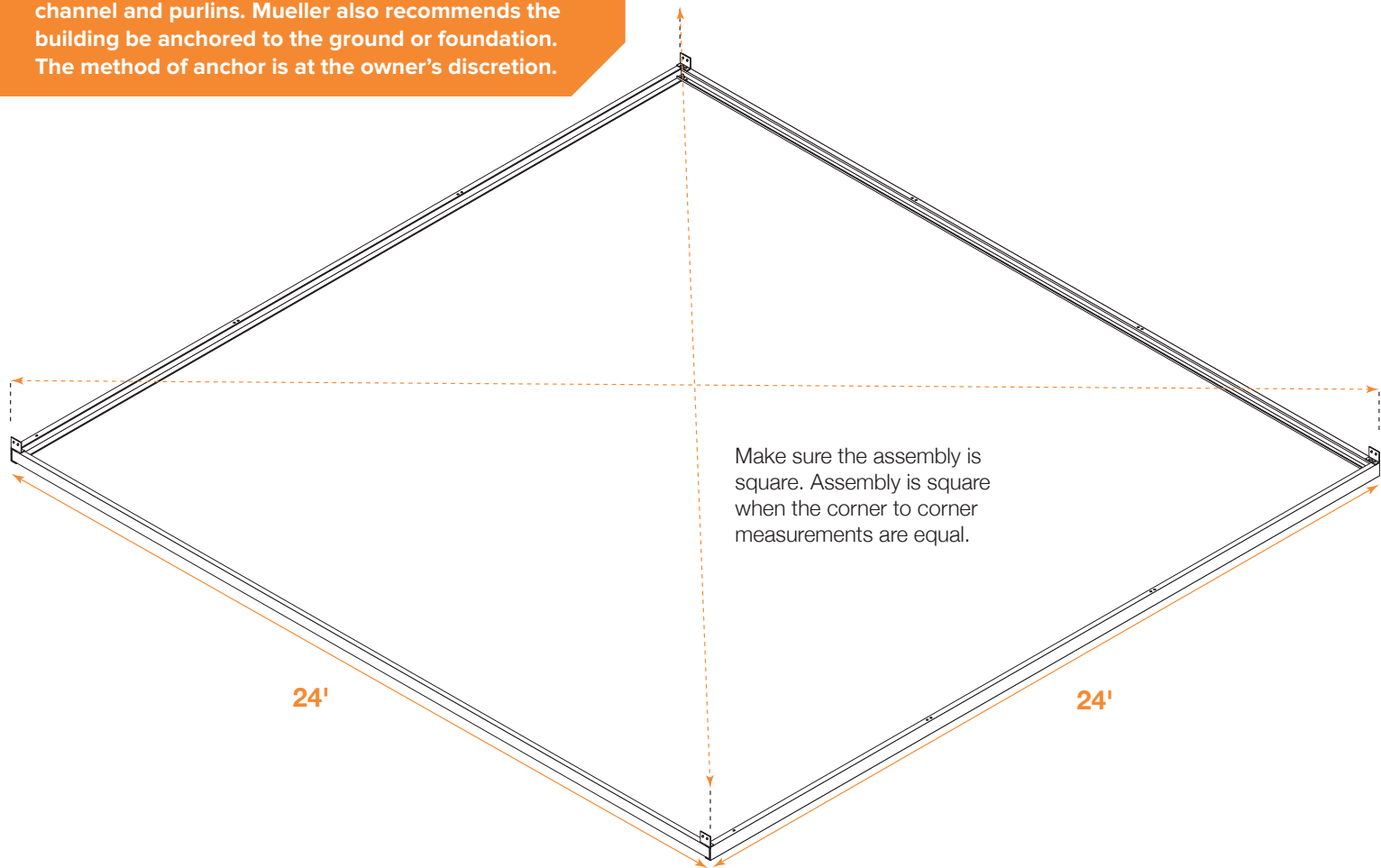
NOTE: Make sure to use TEK screws to attach sheets to purlins, lap TEK screws to attach sheets to sheets.

BASE LAYOUT (BC-1 AND BP-1)



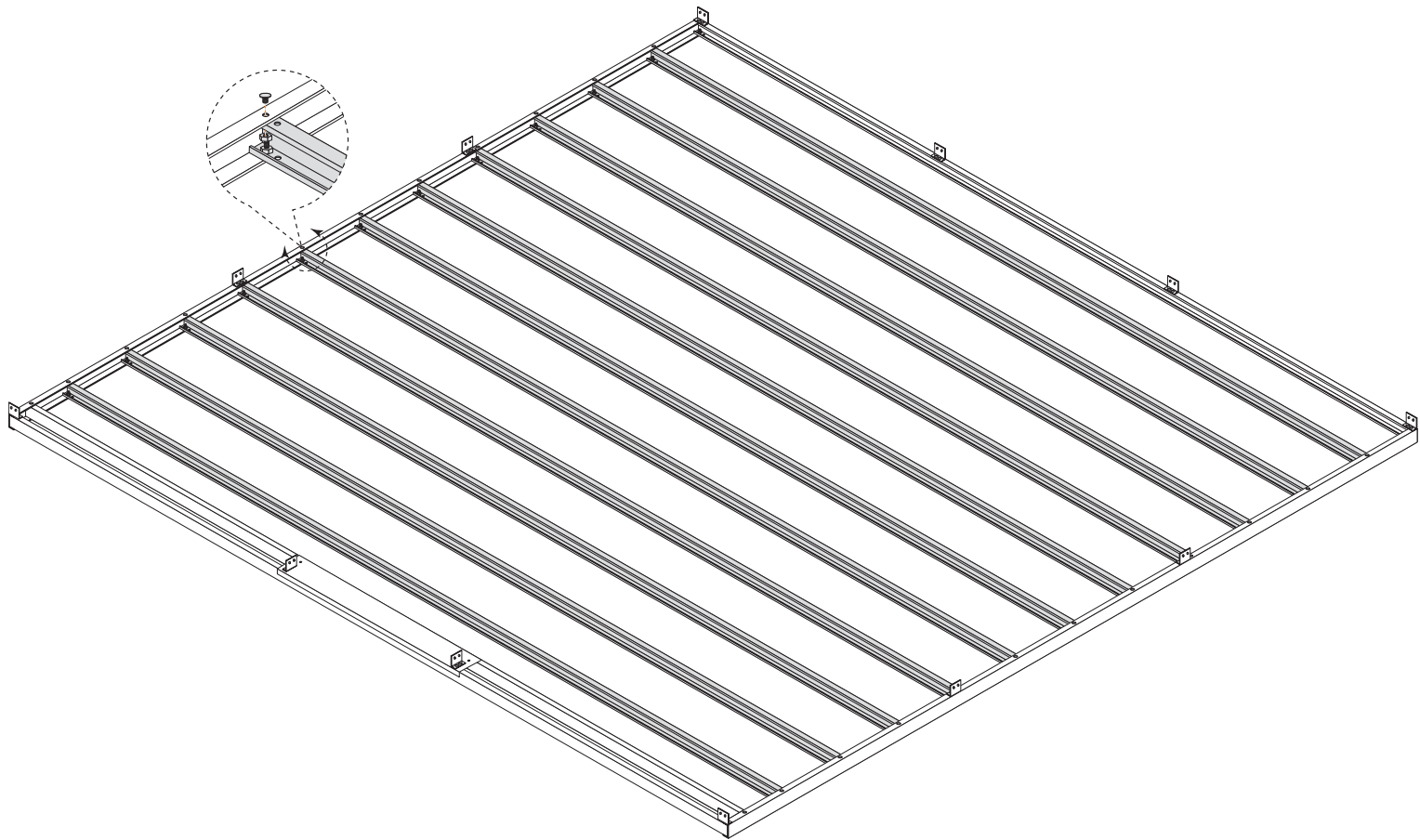
MAKE SURE THE ASSEMBLY IS SQUARE

NOTE: Mueller recommends the building be placed on leveling blocks (not included) to support the base channel and purlins. Mueller also recommends the building be anchored to the ground or foundation. The method of anchor is at the owner's discretion.

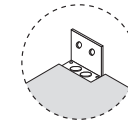
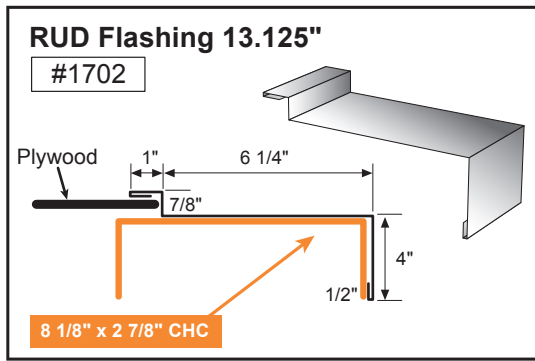


FLOOR KIT (OPTIONAL)

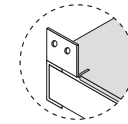
NOTE: Mueller recommends the building be placed on leveling blocks (not included) to support the base channel and purlins. Mueller also recommends the building be anchored to the ground or foundation. The method of anchor is at the owner's discretion.



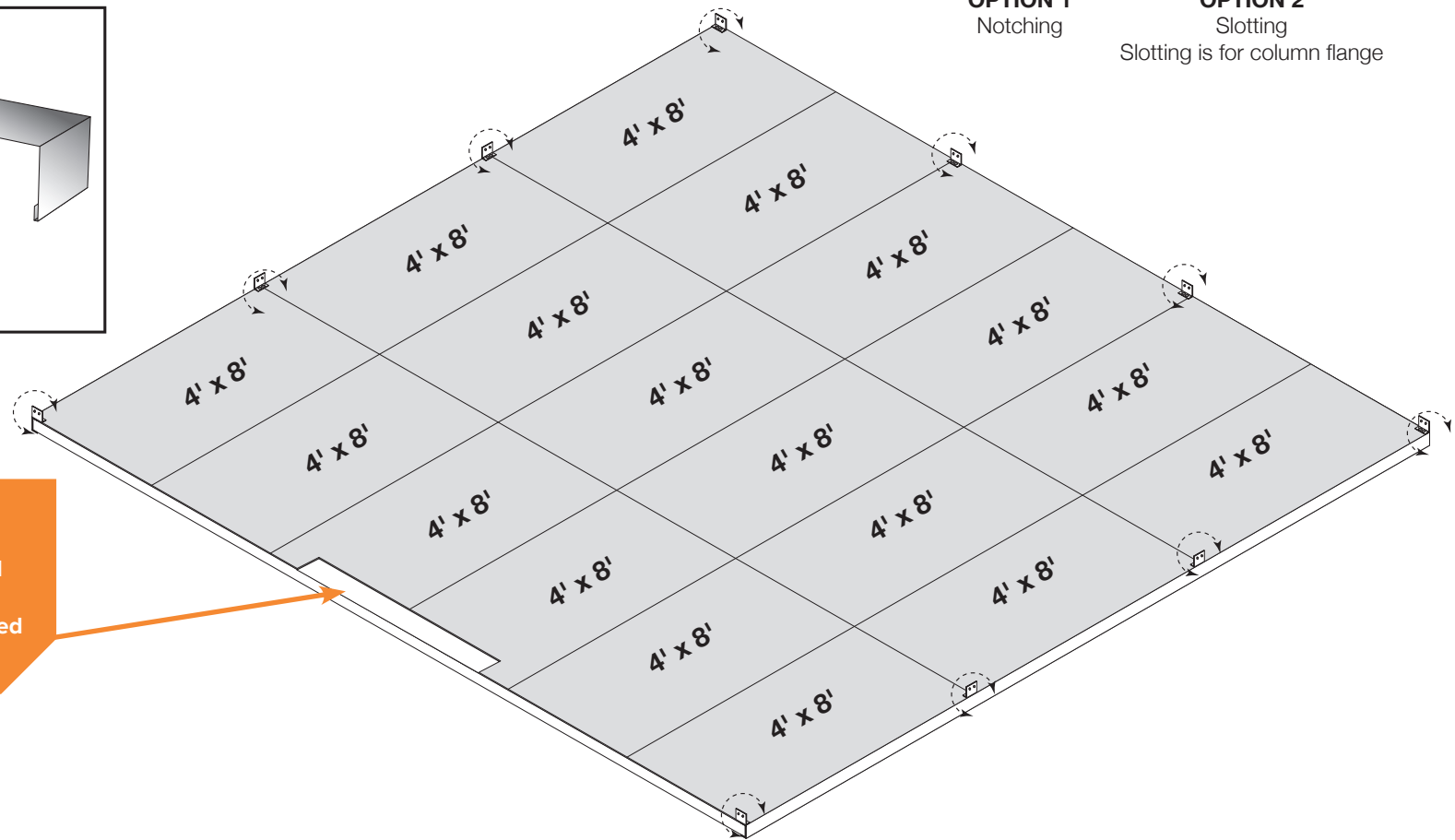
FLOOR KIT (OPTIONAL)



OPTION 1
Notching



OPTION 2
Slotting
Slotting is for column flange

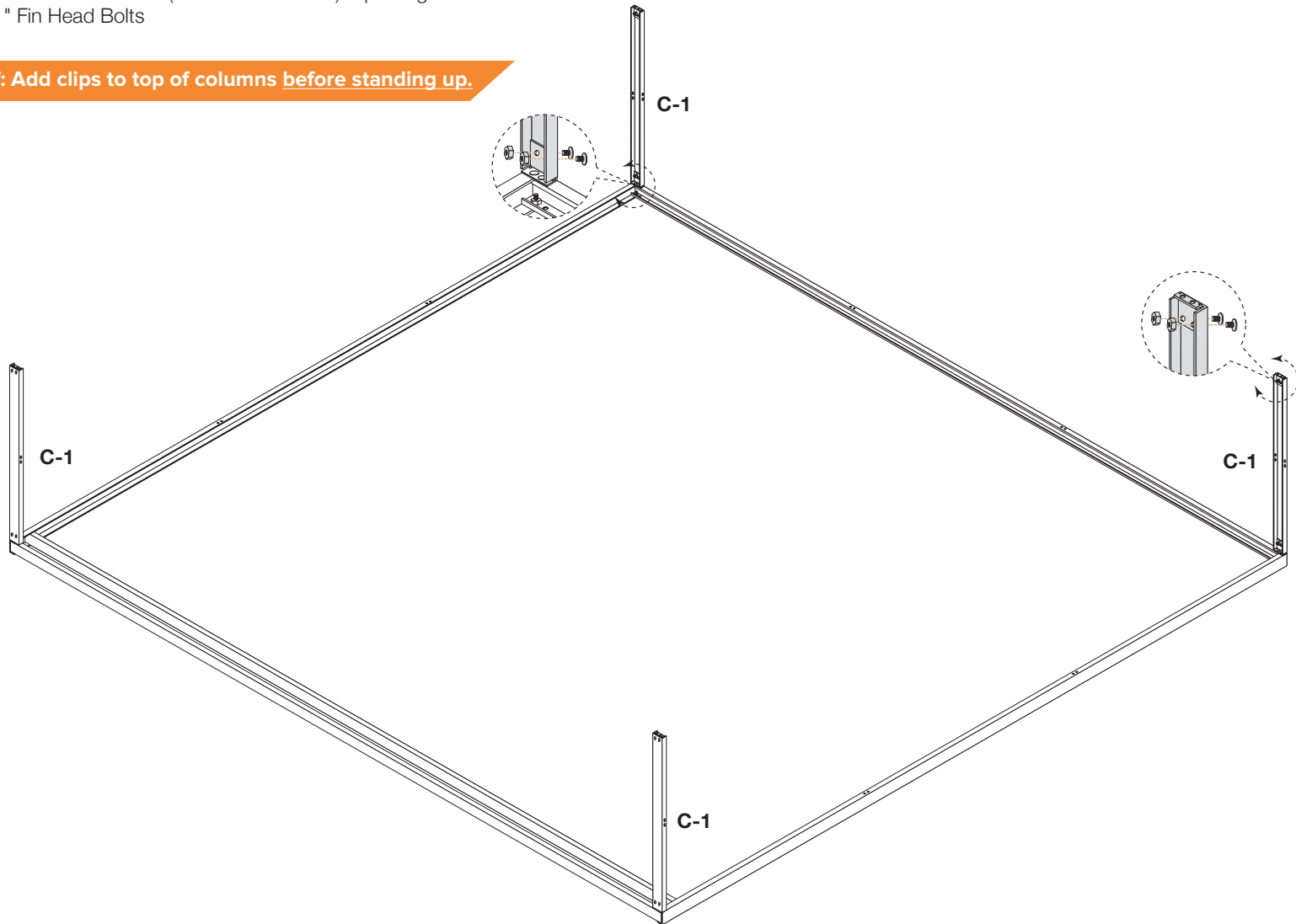


Notch plywood 6 3/4" x 6' 3 1/2"
(for 5' 9 1/2" wide roll up door) or
6 3/4" x 8' 3 1/2" (for 7' 9 1/2" wide roll
up door) to allow for roll up door
installation (base channel is covered
by RUD Flashing #1702).

ERECTING COLUMNS (C-1)

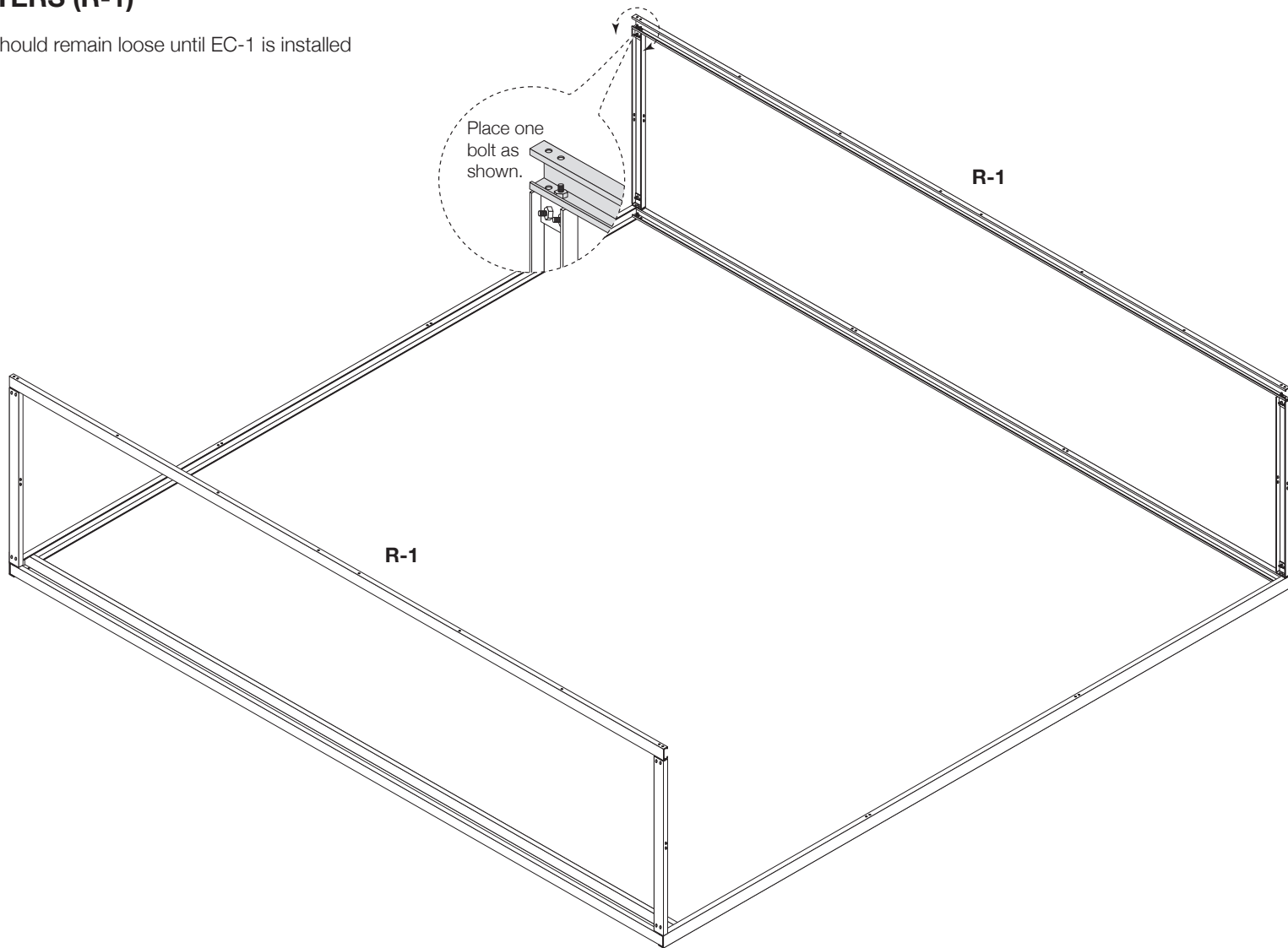
Attach column to MKB-1 (Galvanized MKB-2) clip using 1/2"x1" Fin Head Bolts

HINT: Add clips to top of columns before standing up.



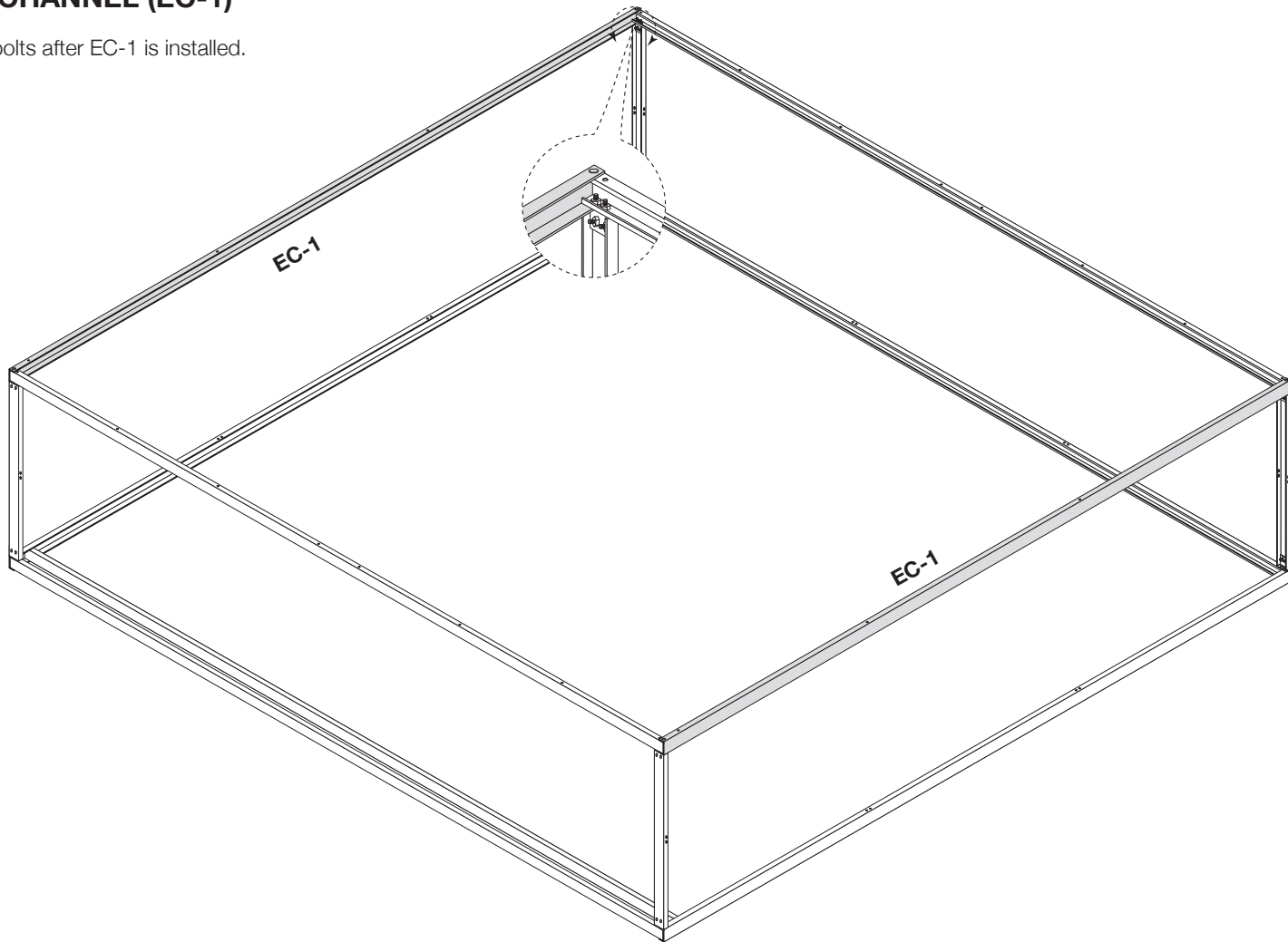
RAFTERS (R-1)

Bolts should remain loose until EC-1 is installed

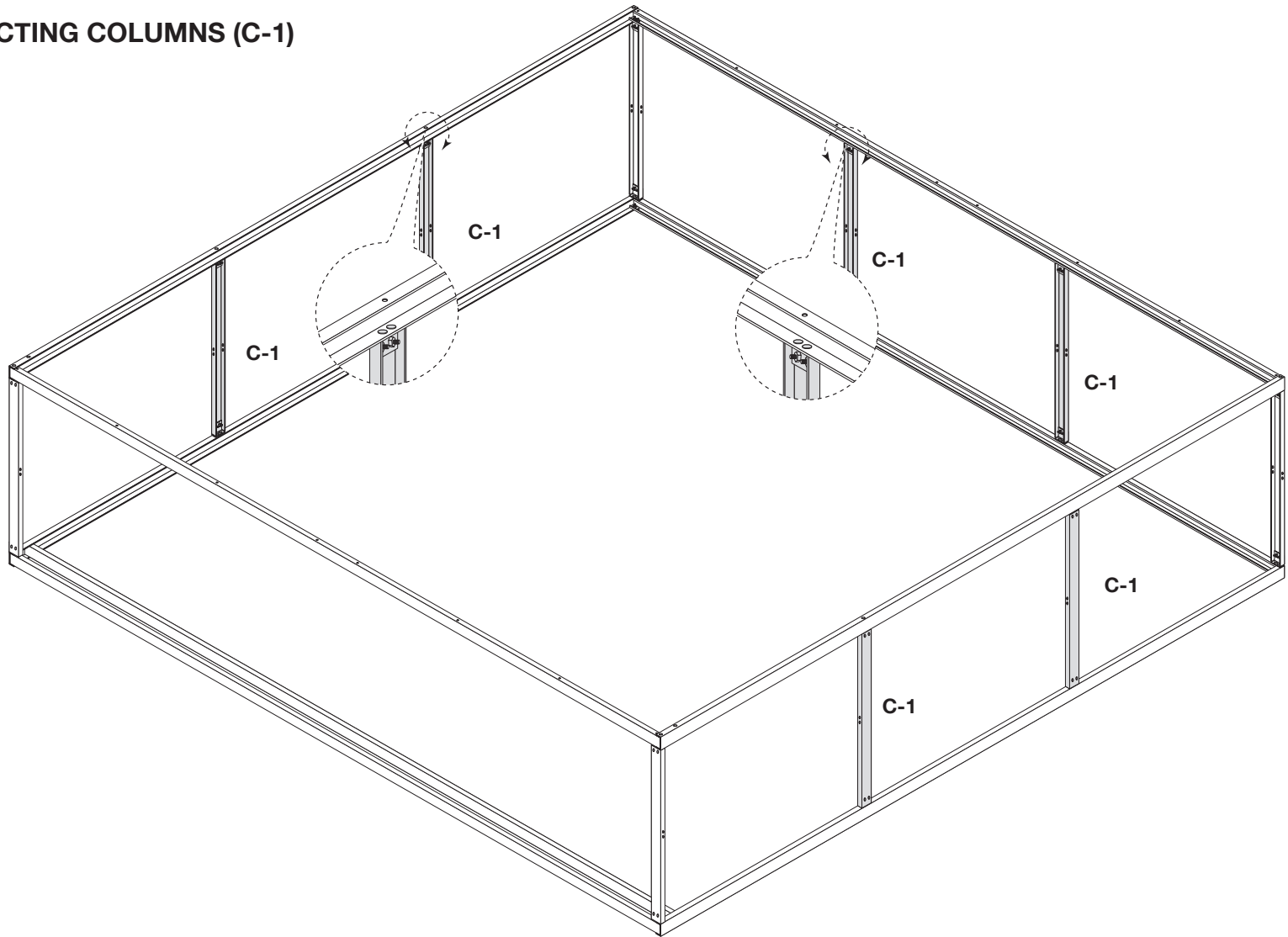


EAVE CHANNEL (EC-1)

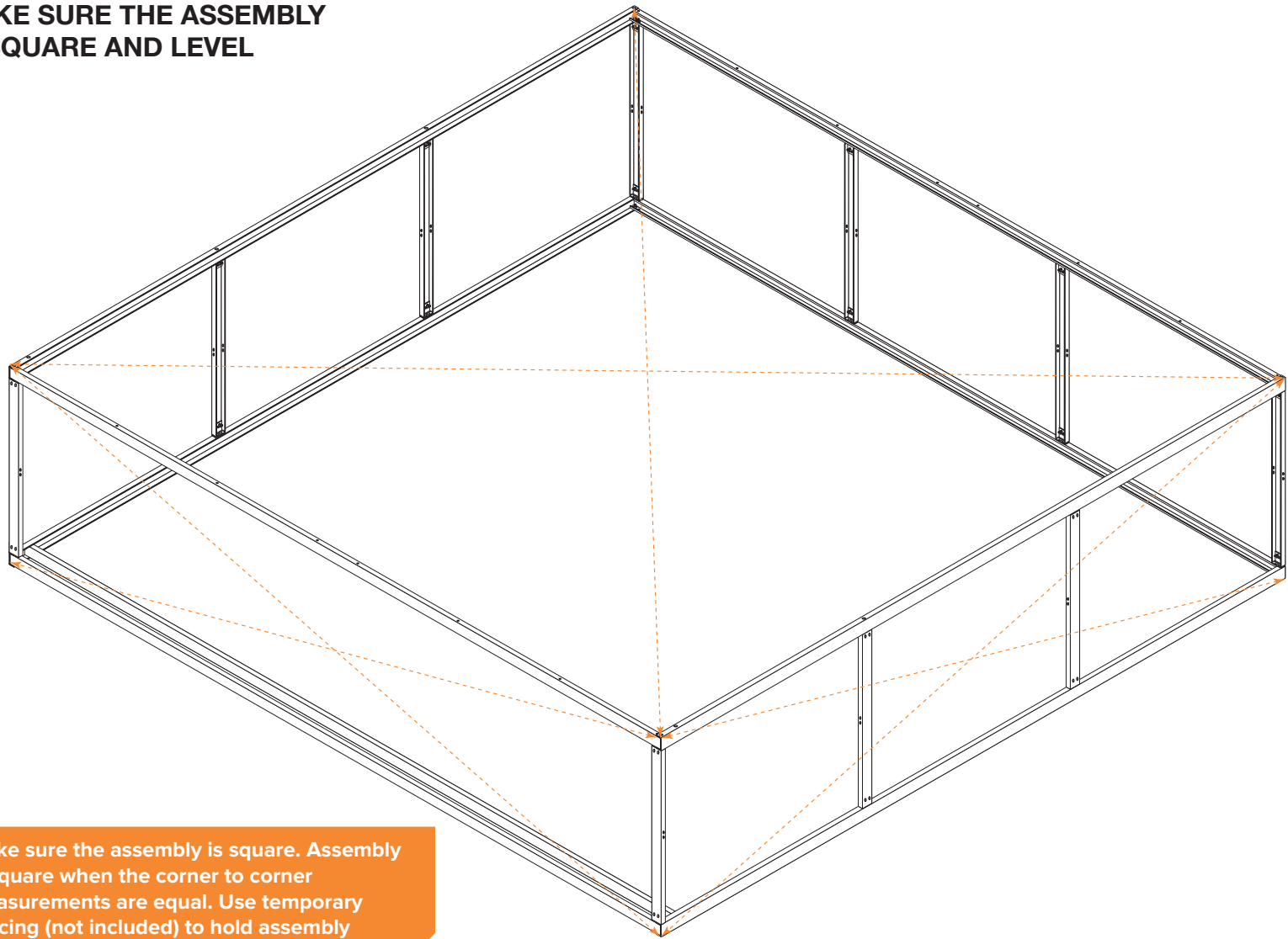
Tighten bolts after EC-1 is installed.



ERECTING COLUMNS (C-1)

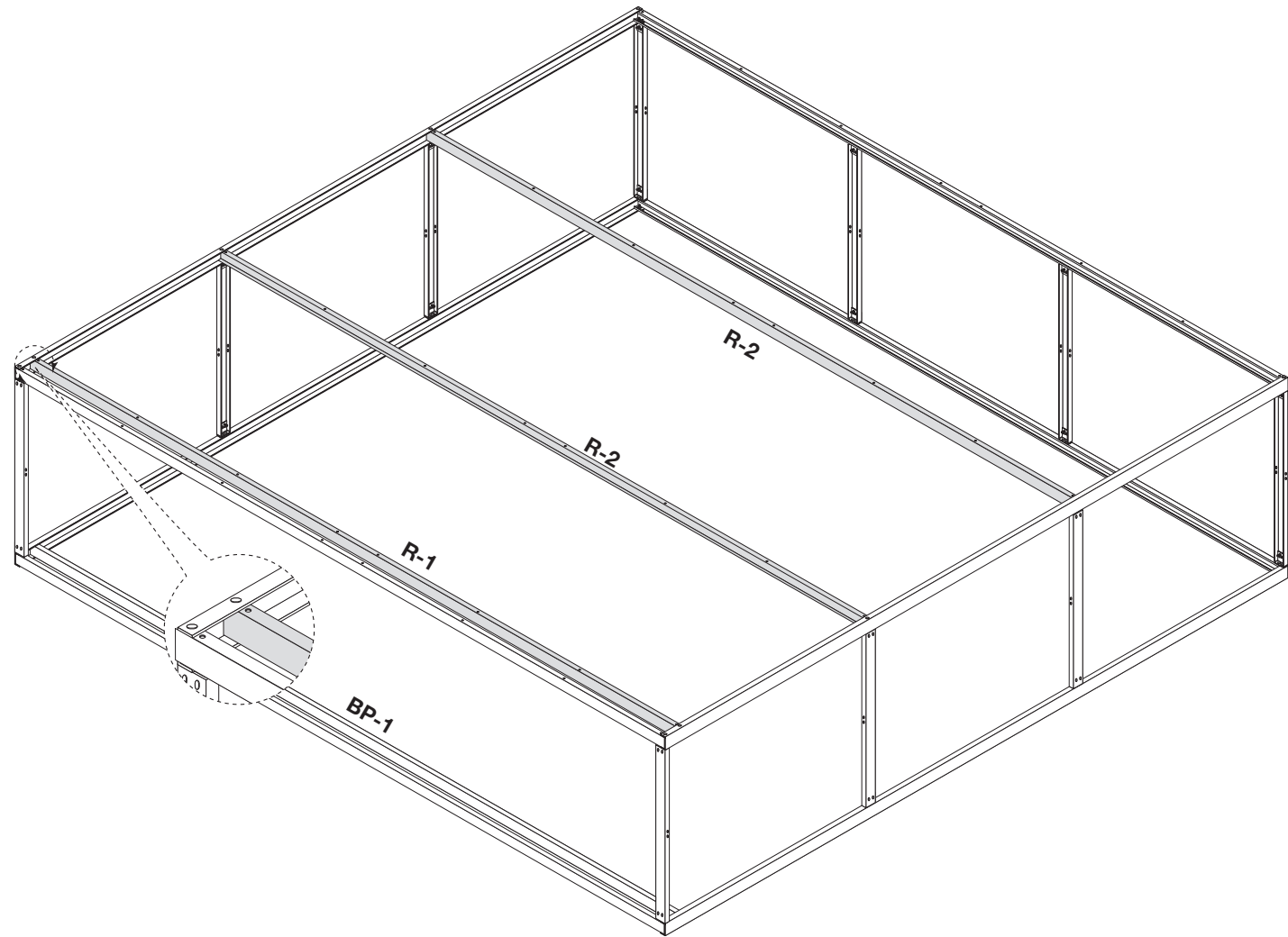


MAKE SURE THE ASSEMBLY IS SQUARE AND LEVEL



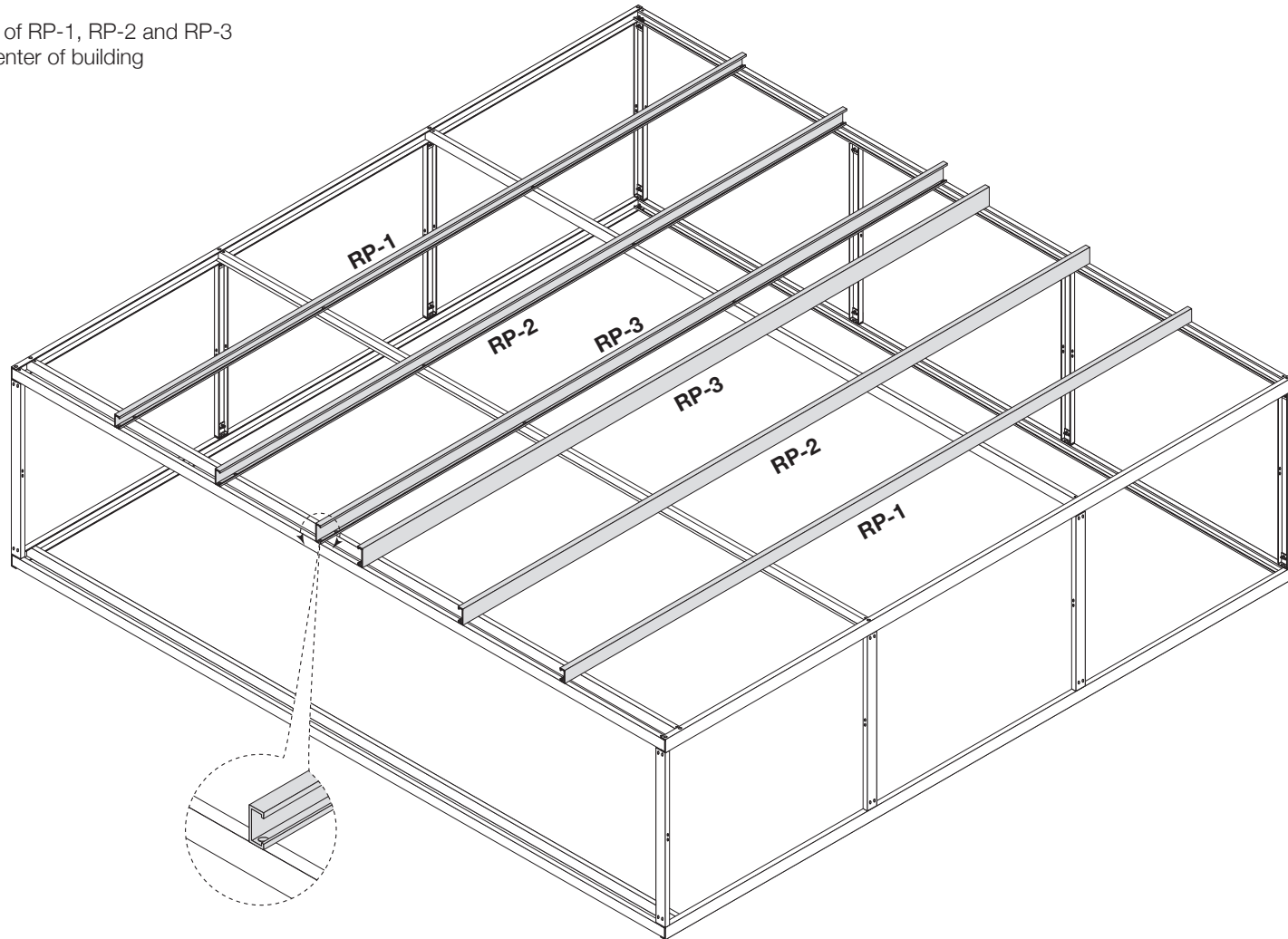
Make sure the assembly is square. Assembly is square when the corner to corner measurements are equal. Use temporary bracing (not included) to hold assembly square if required.

RAFTERS AND BASE PURLIN (R-2 AND BP-1)

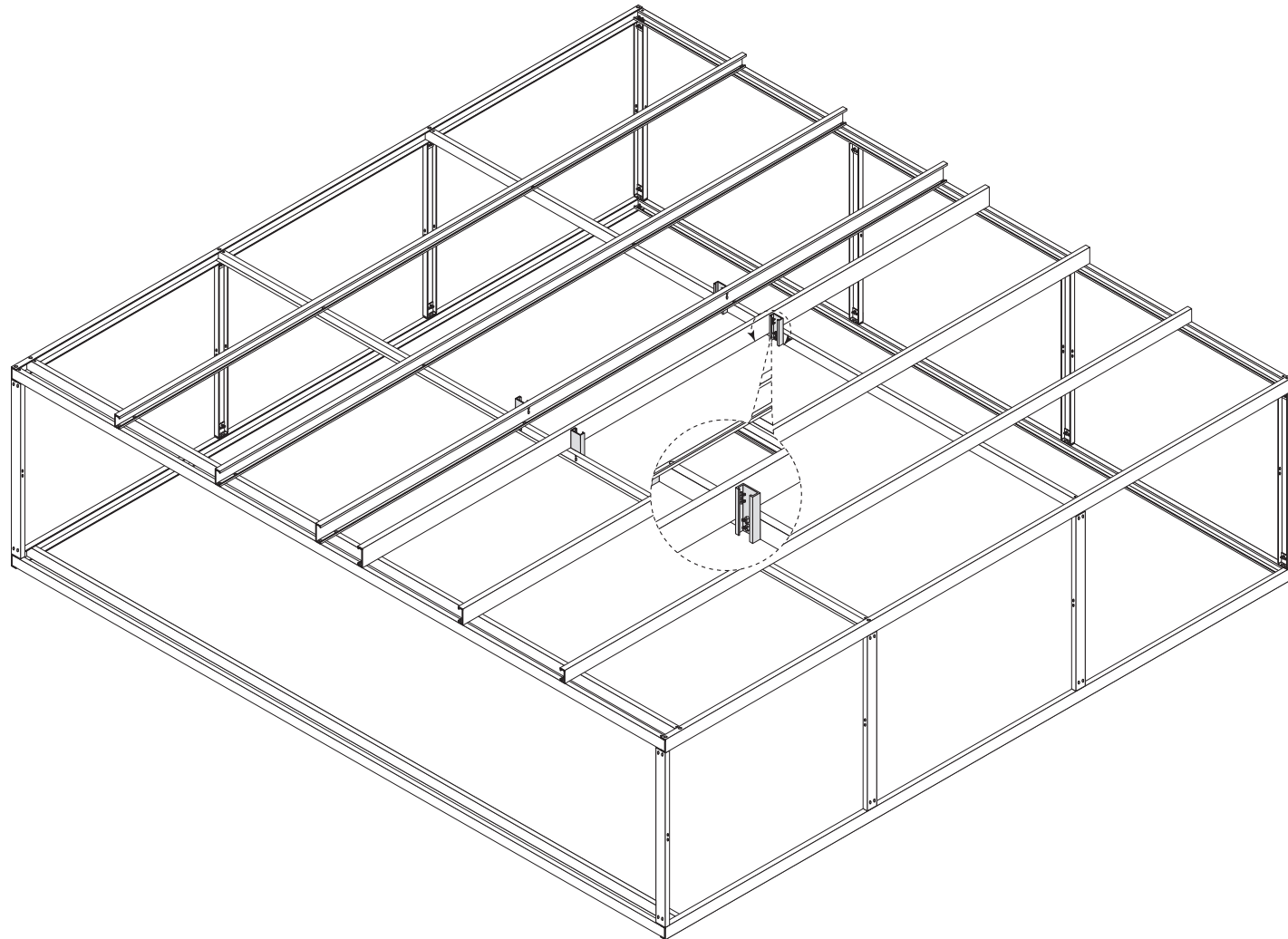


ROOF PURLIN (RP-1, RP-2 AND RP-3)

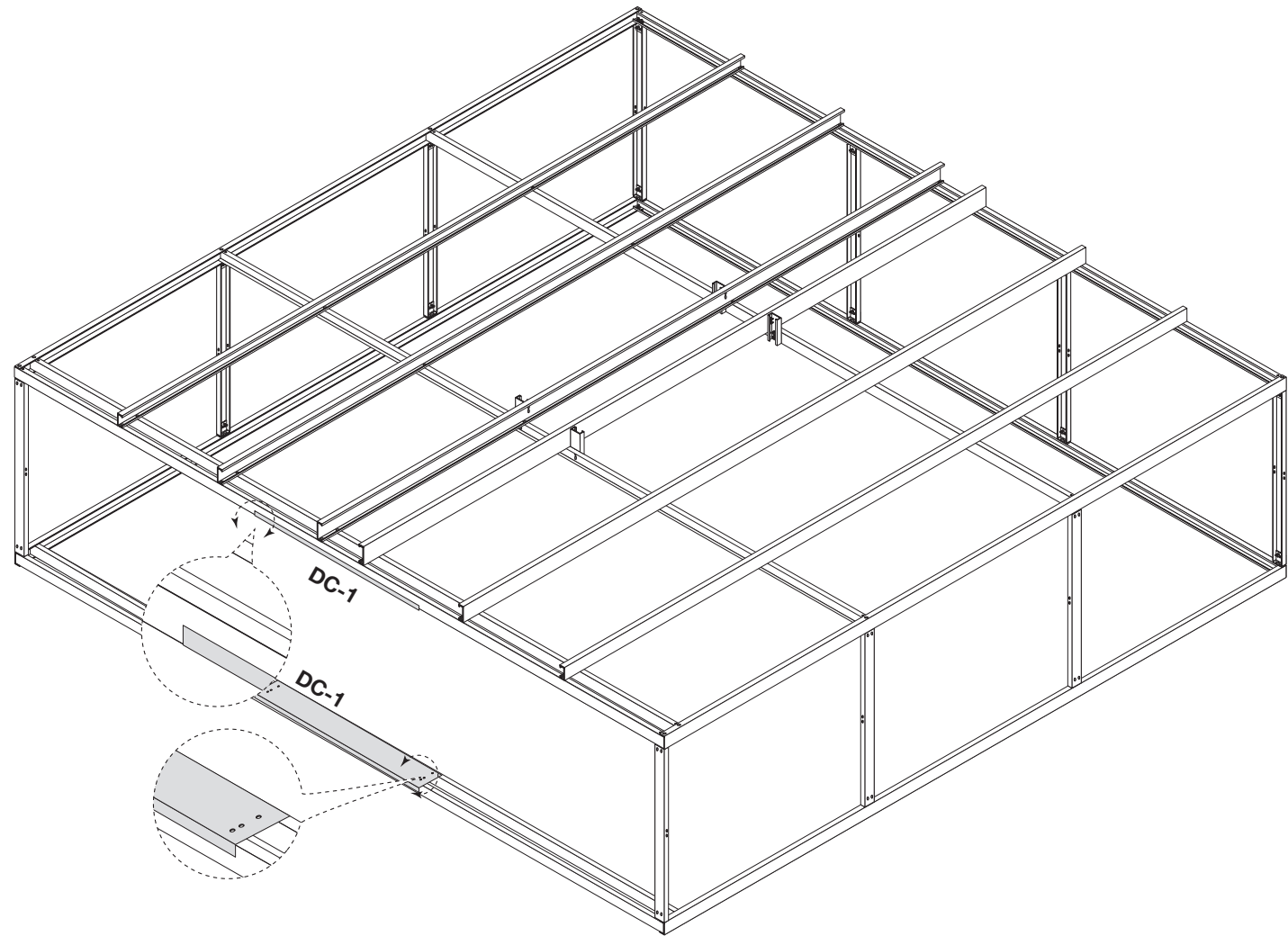
Open side of RP-1, RP-2 and RP-3
faces to center of building



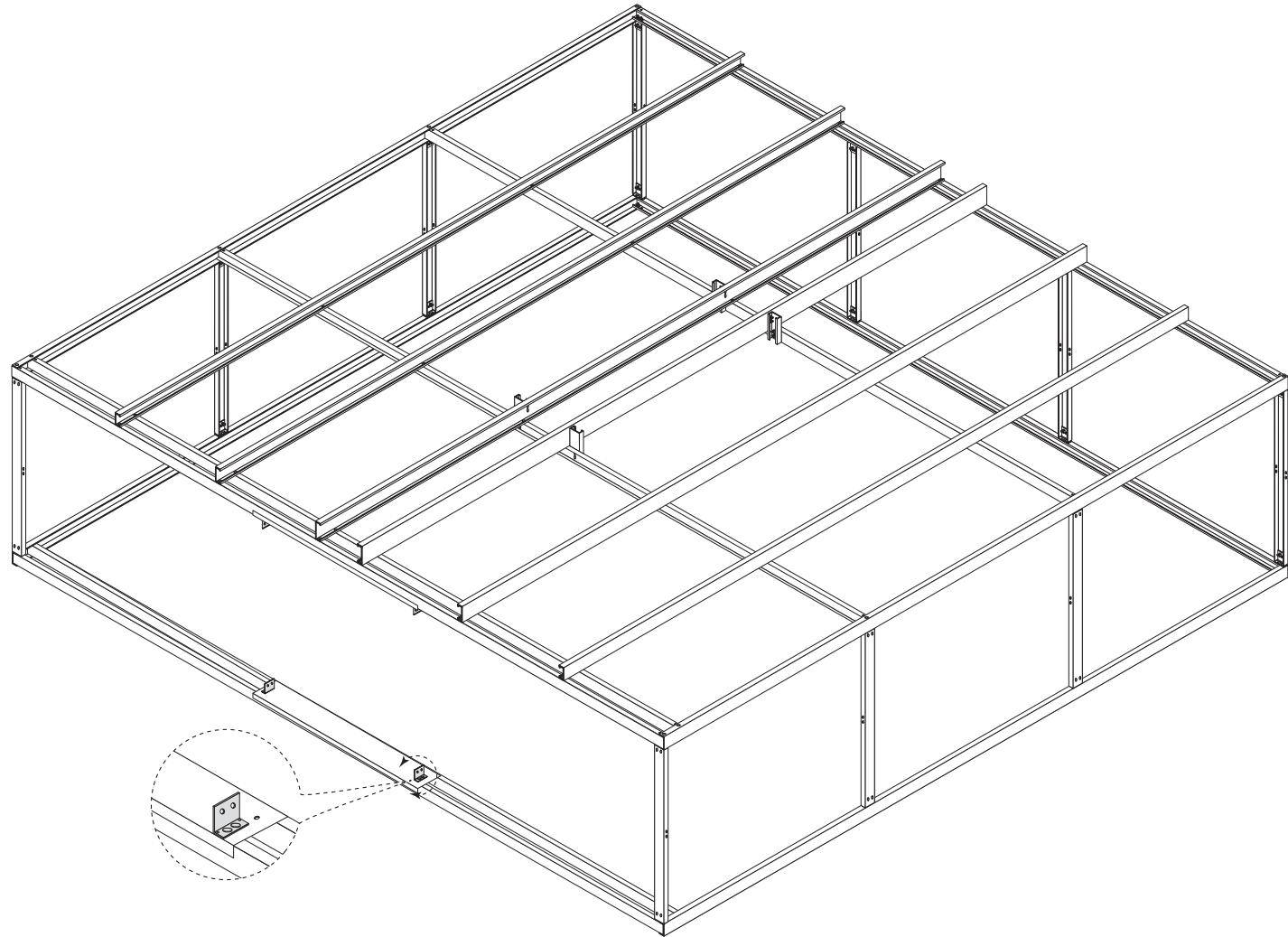
ROLL STOP CLIP (R5-1)



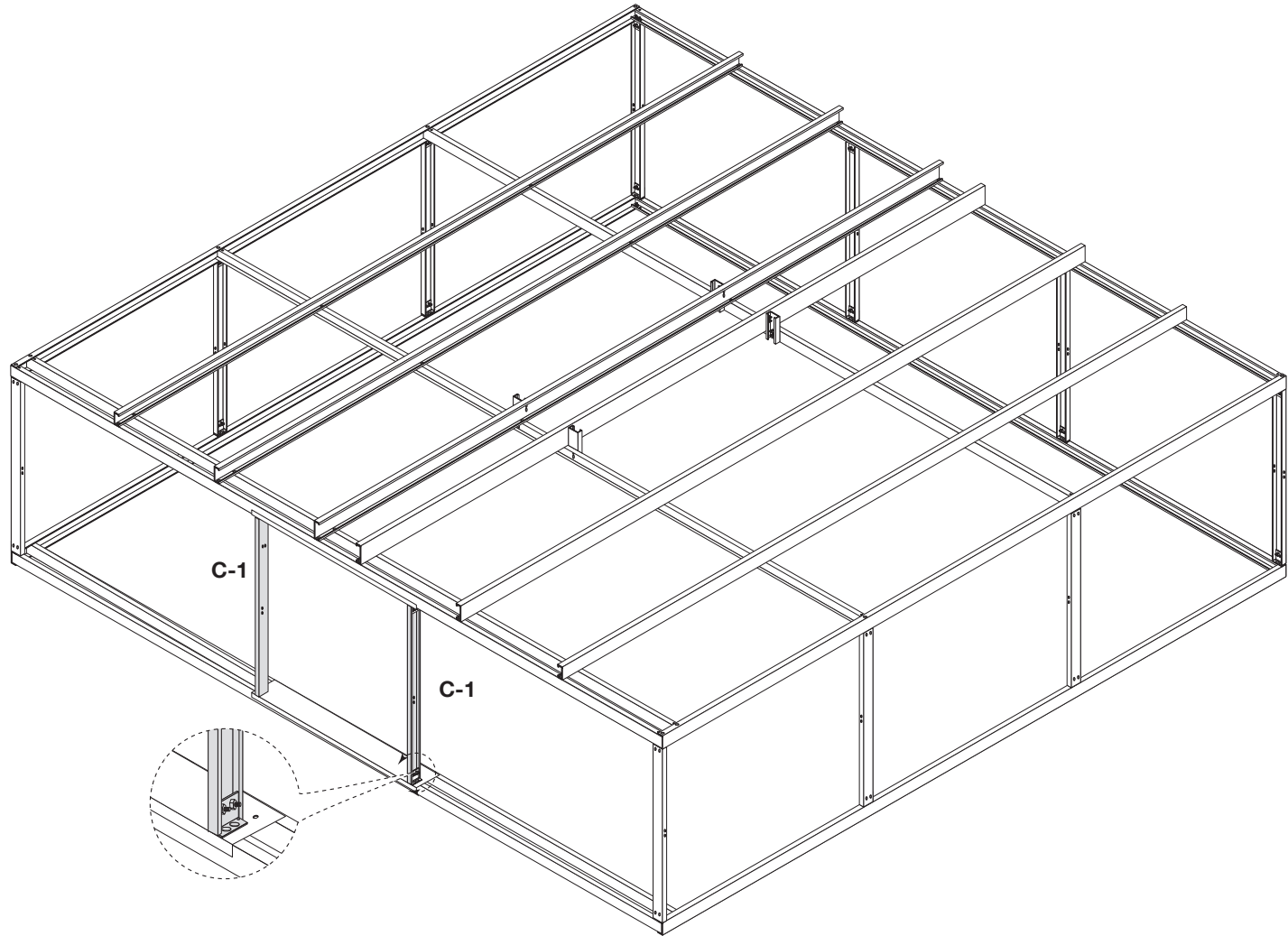
DOOR AND DOOR TRIM (DC-1)



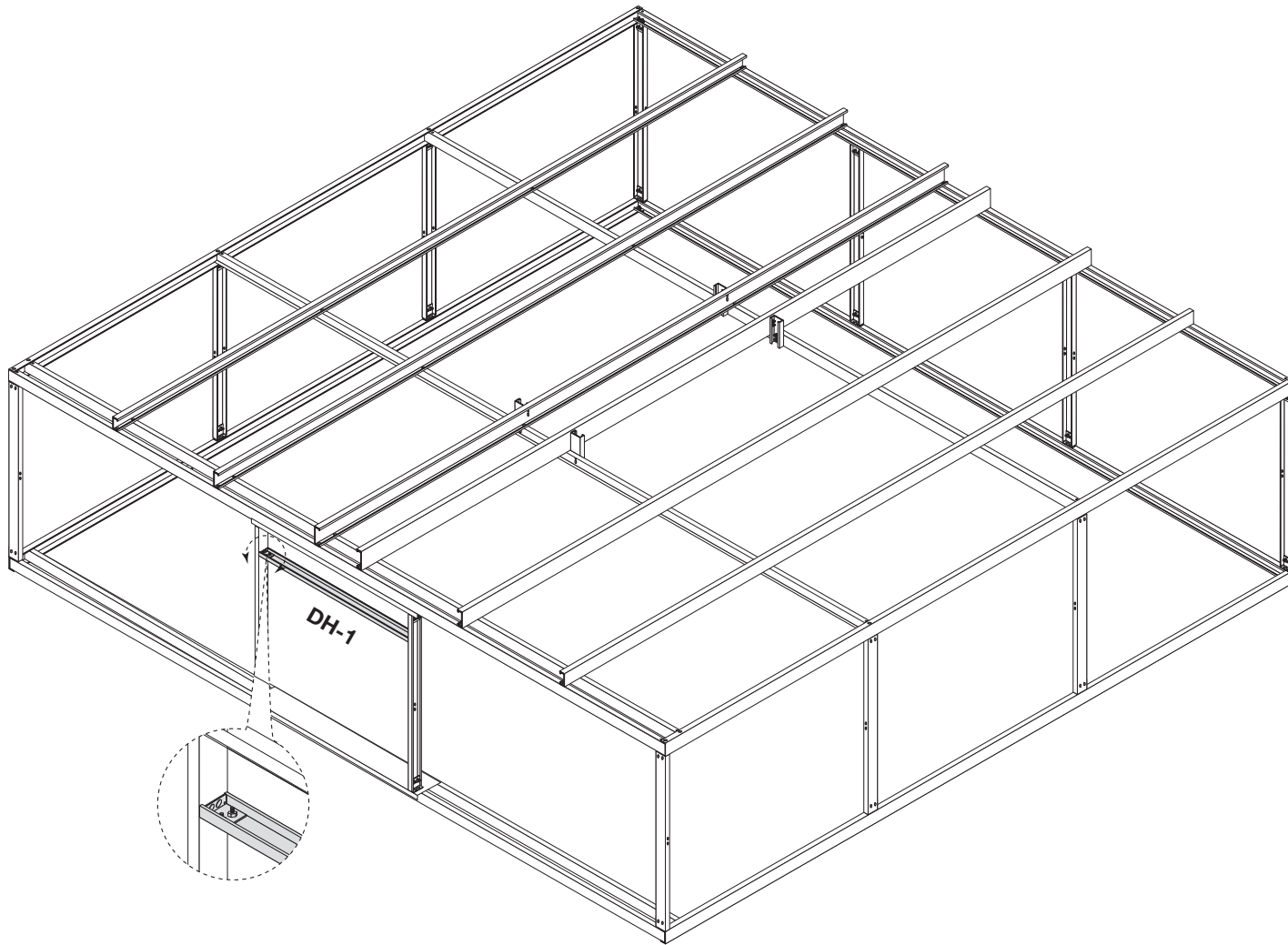
DOOR AND DOOR TRIM (MKB1 CLIPS)



DOOR JAMBS (C-1)



DOOR HEADER (DH-1)

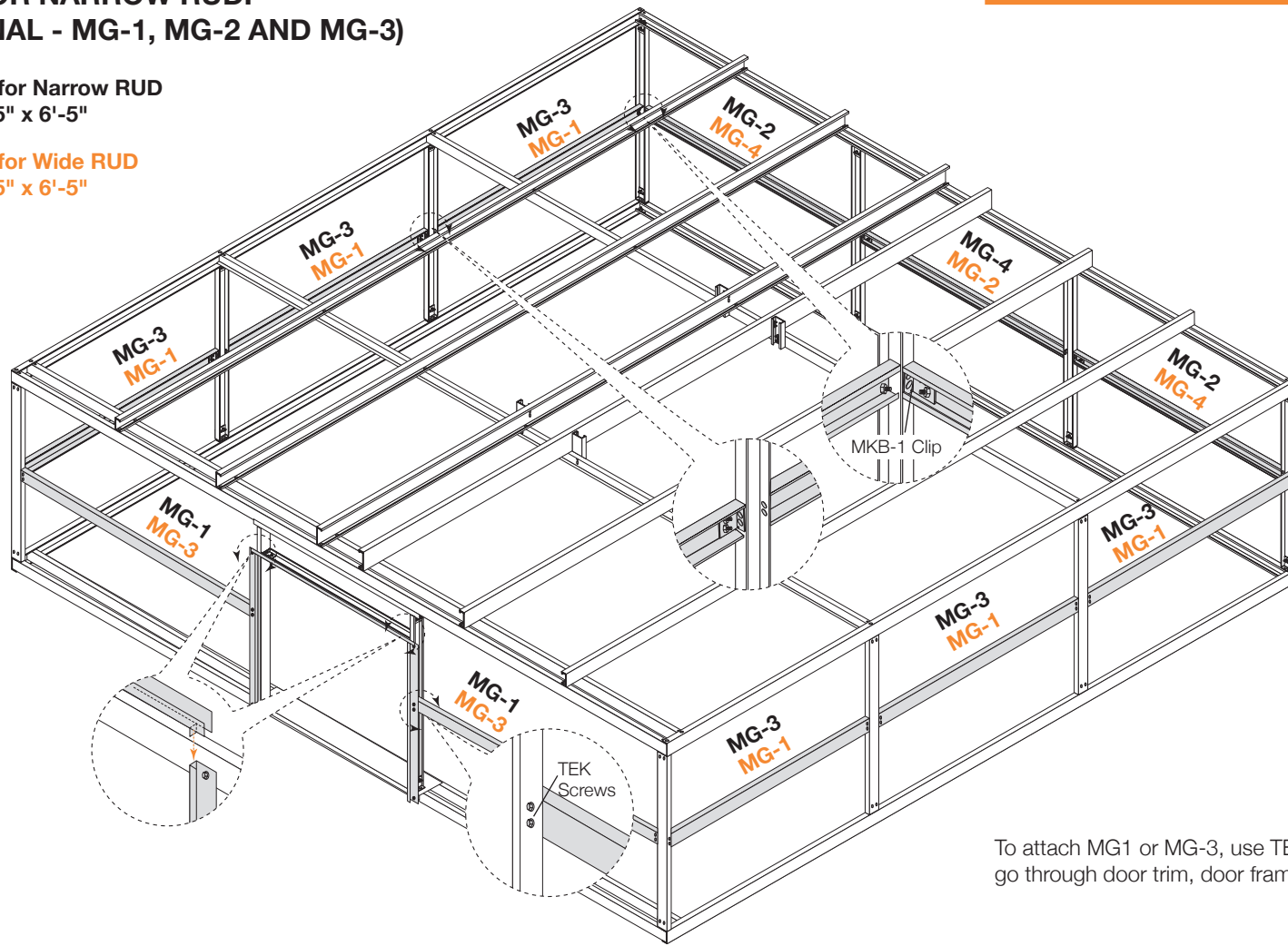


**DOOR TRIM AND MID-GIRTS
(WIDE OR NARROW RUD:
OPTIONAL - MG-1, MG-2 AND MG-3)**

Mid-Girts for Narrow RUD
RUD 5'-9.5" x 6'-5"

Mid-Girts for Wide RUD
RUD 7'-9.5" x 6'-5"

NOTE: Bolt to inside of column leg

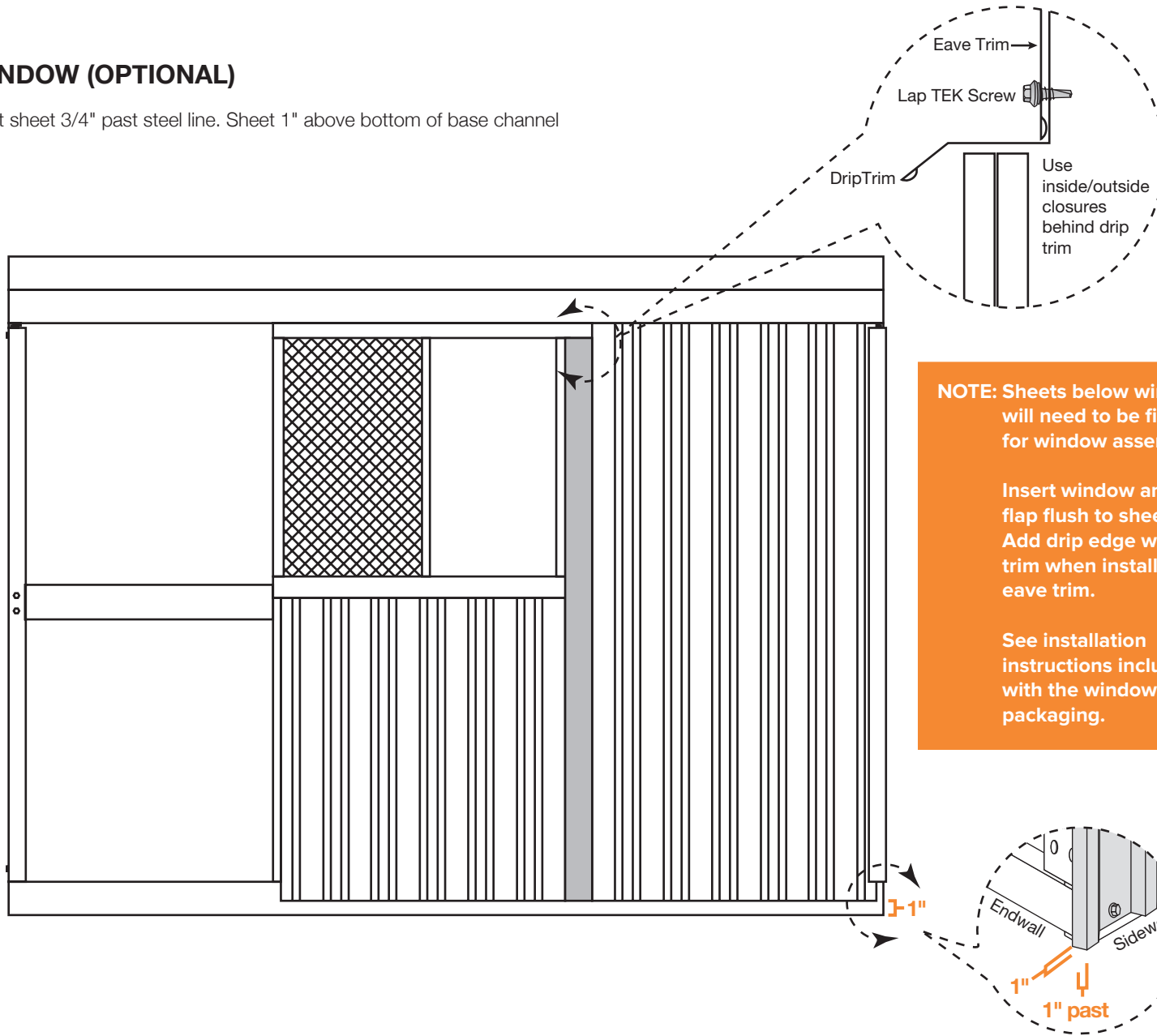


To attach MG1 or MG-3, use TEK screws to go through door trim, door frame and girt.

NOTE: If using optional walk door, set jamb trim inside measurement at 5' 10 1/8".

WINDOW (OPTIONAL)

Start sheet 3/4" past steel line. Sheet 1" above bottom of base channel



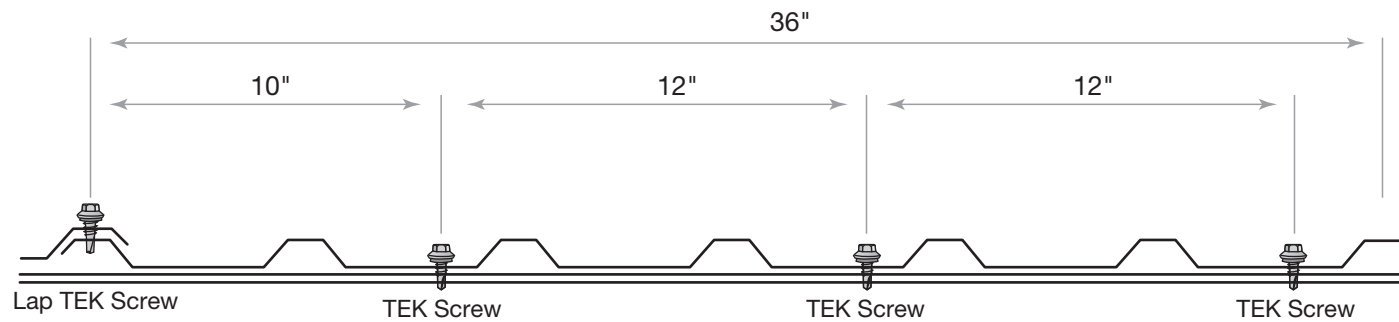
NOTE: Sheets below window will need to be field cut for window assembly.

Insert window and flap flush to sheet. Add drip edge window trim when installing eave trim.

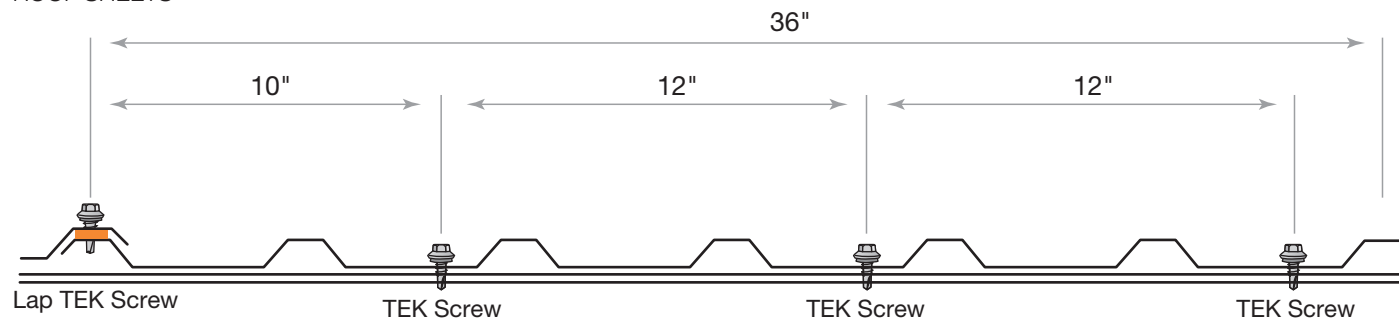
See installation instructions included with the window packaging.

SHEETING SCREW PLACEMENT

WALL SHEETS



ROOF SHEETS

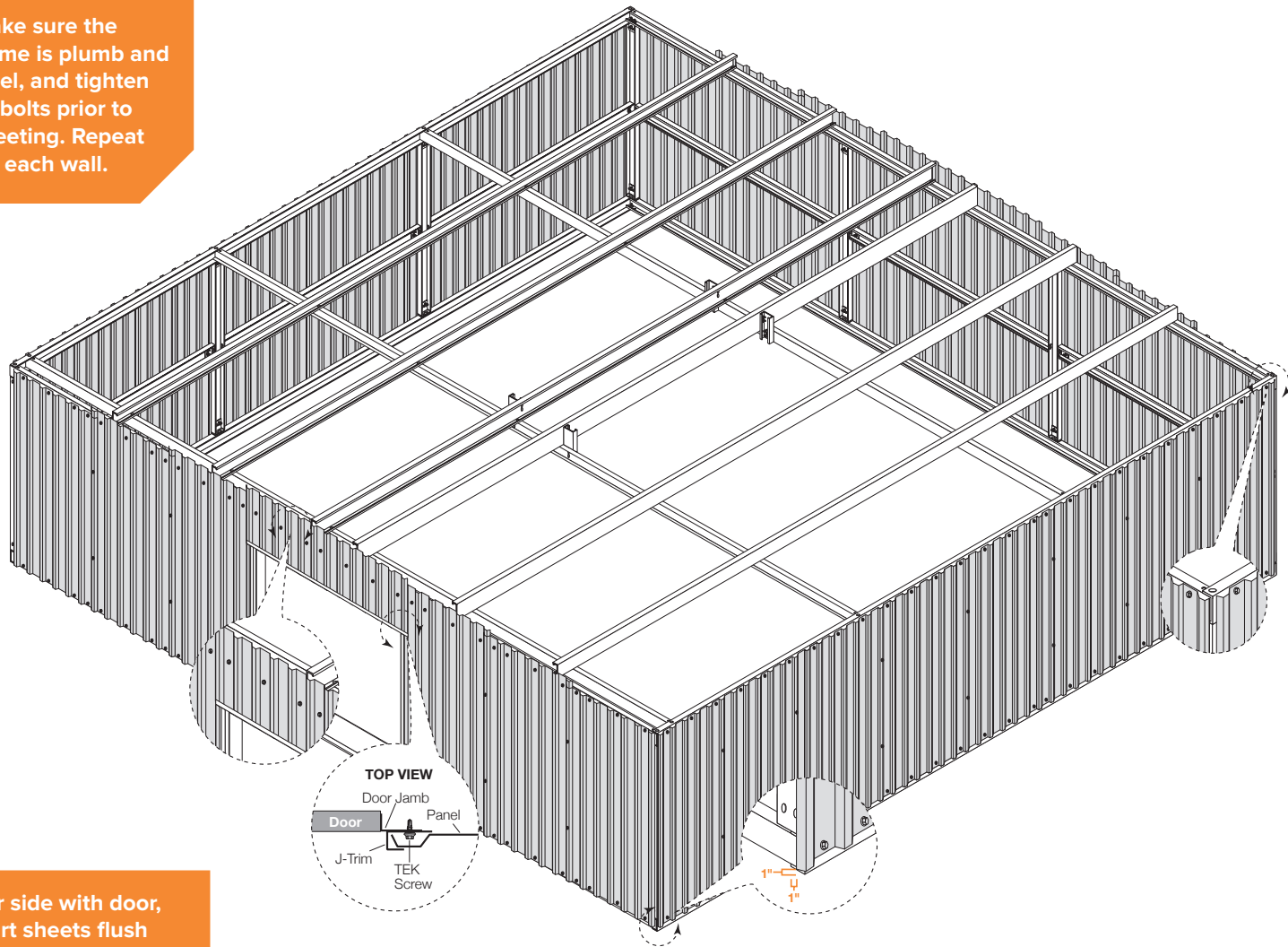


Place sealer tape between roof sheets only.

NOTE: Make sure to use TEK screws to attach sheets to purlins, lap TEK screws to attach sheets to sheets.

SHEETING

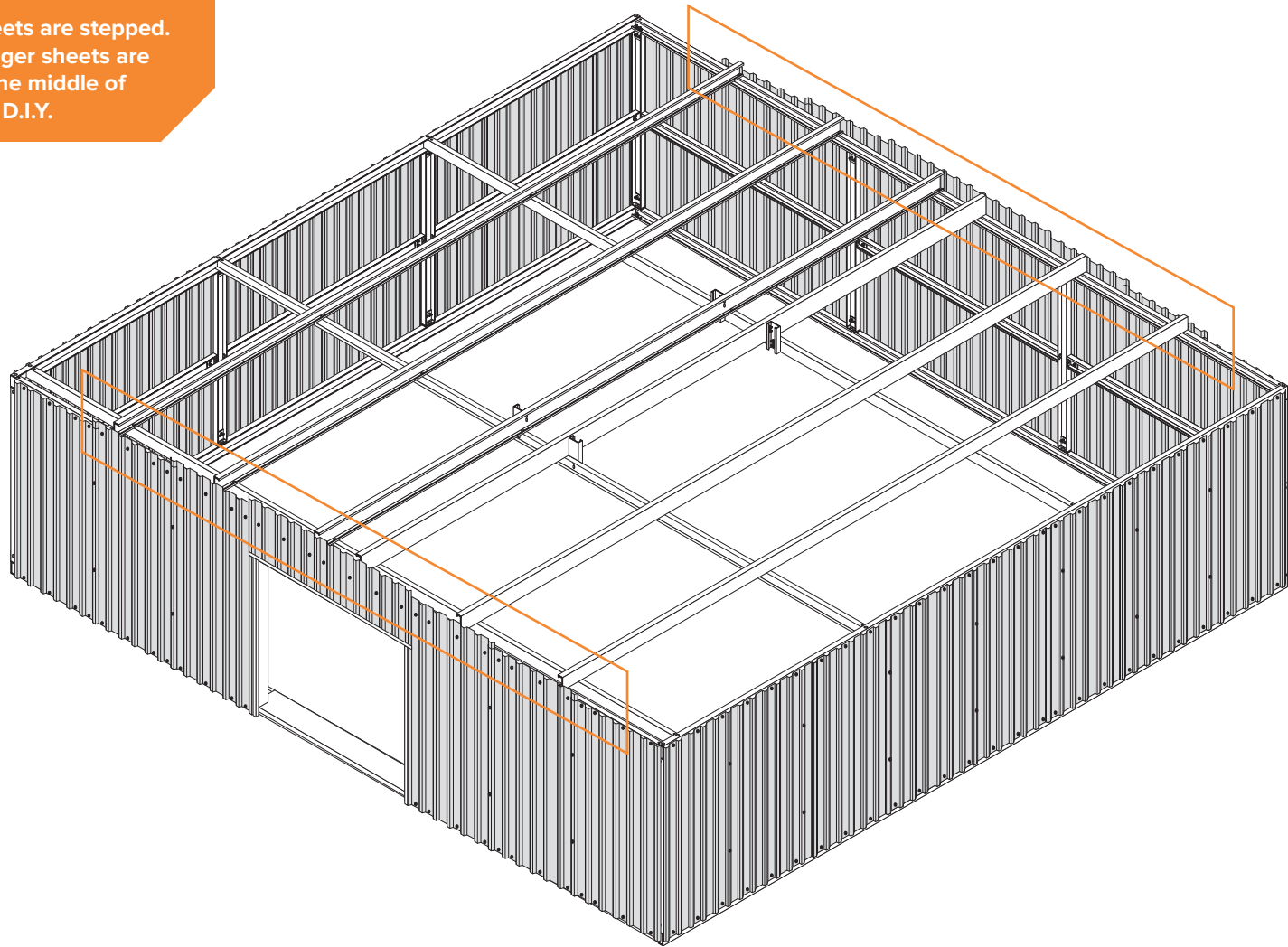
NOTE: Make sure the frame is plumb and level, and tighten all bolts prior to sheeting. Repeat for each wall.



NOTE: For side with door, start sheets flush with J-trim on both sides of the door.

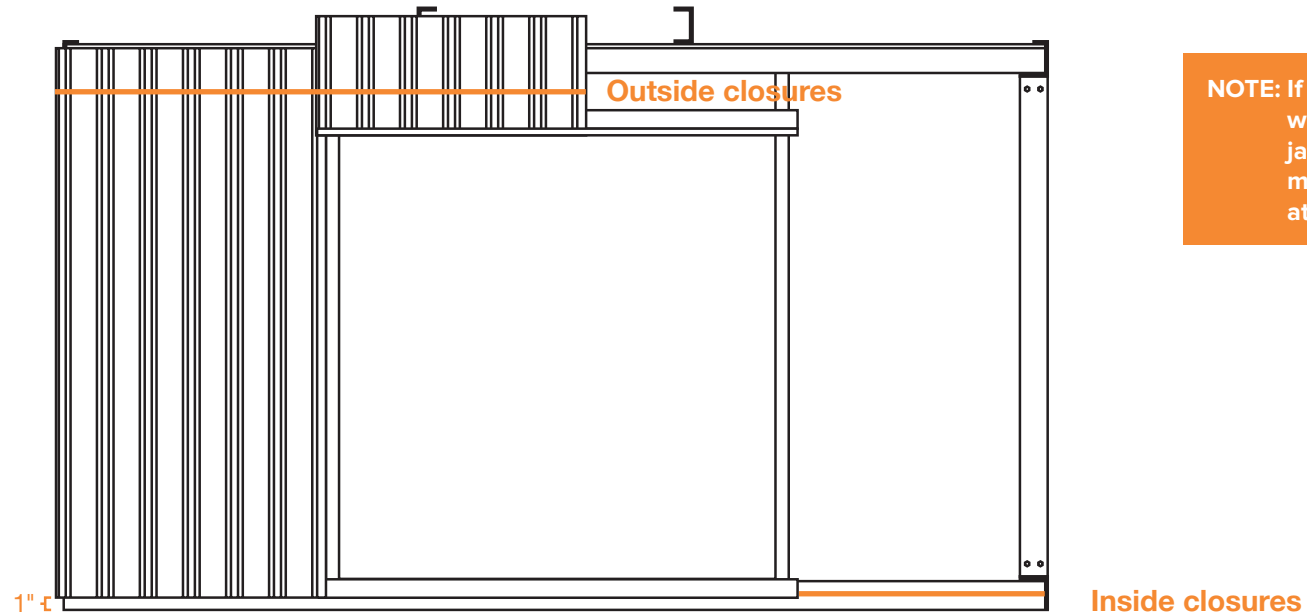
SHEETING (NOTE SOME SHEETS ARE LONGER)

NOTE: Sheets are stepped.
Longer sheets are
in the middle of
the D.I.Y.



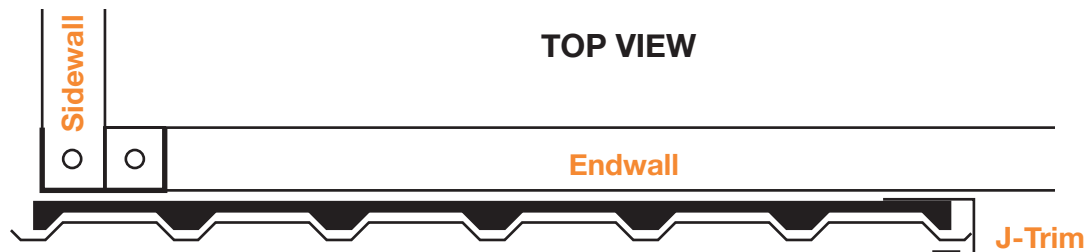
SHEETING ENDWALL WITH RUD DOOR

To install the RUD, see the RUD video and instructions.



NOTE: If using optional walk door, set jamb trim inside measurement at 5' 10 1/8".

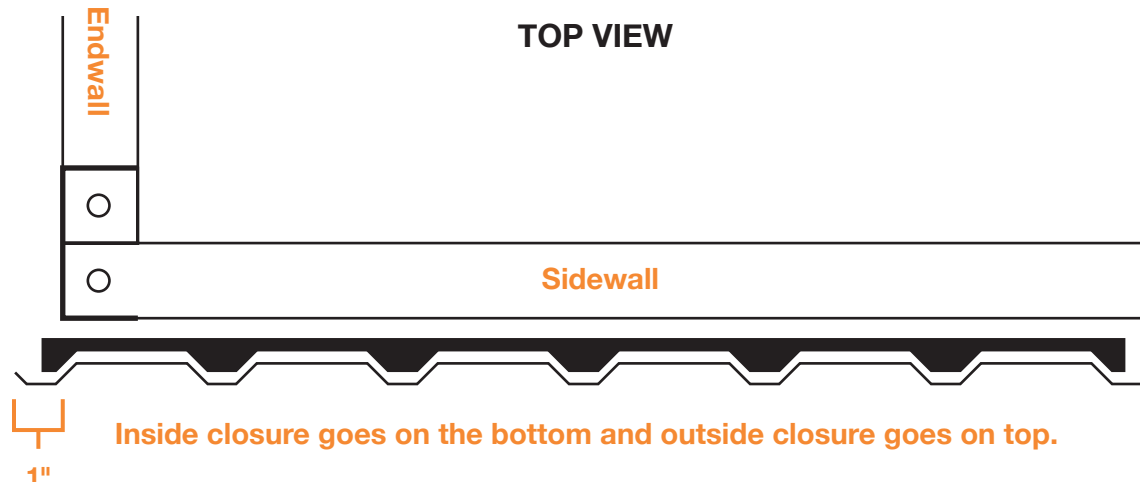
IMPORTANT: 1" above the bottom of the base channel



Inside closure goes on the bottom and outside closure goes on top.

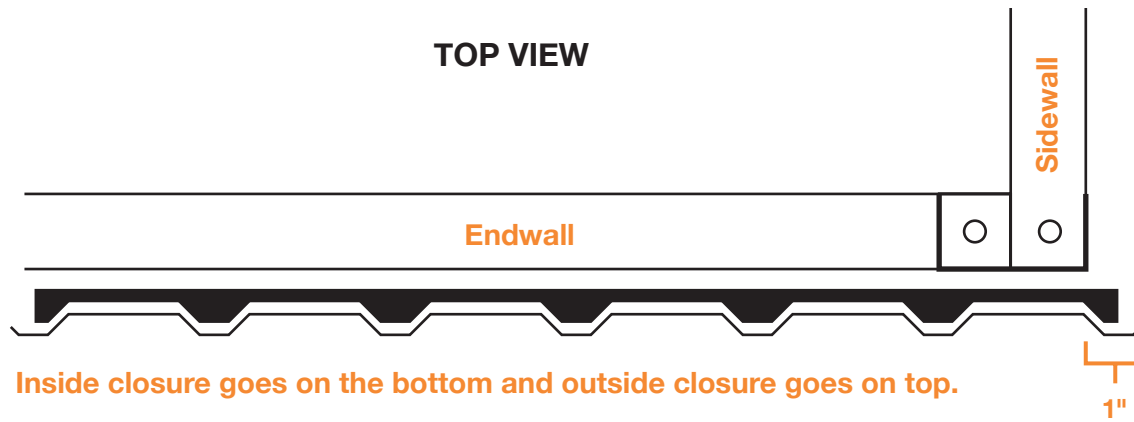
NOTE: Start sheets inside of J-Trim 1" above the bottom of the base purlin

SHEETING SIDEWALL



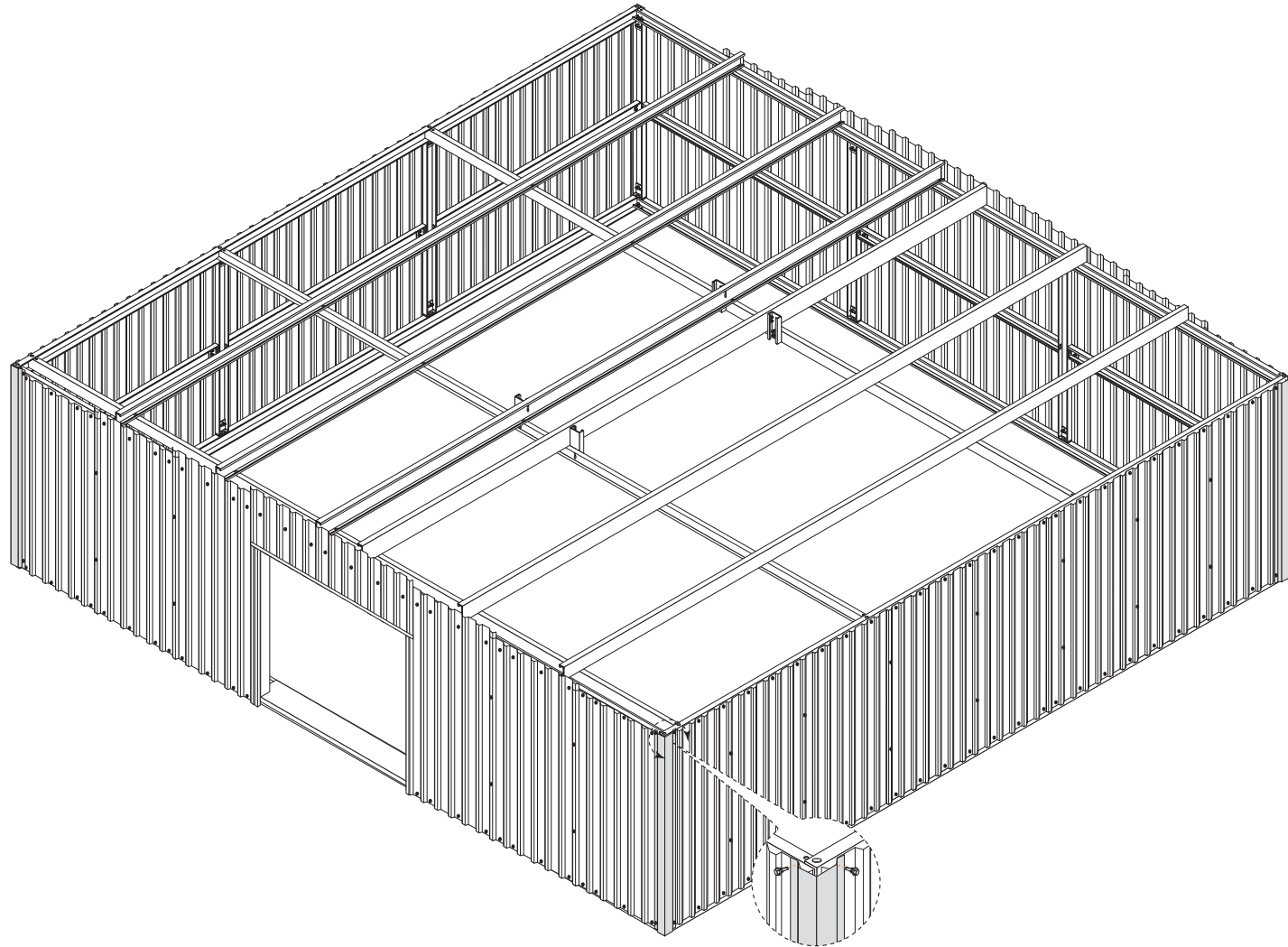
NOTE: Start sheets 1" above the bottom of the base channel and 1" out from endwall

SHEETING ENDWALL WITHOUT DOOR



NOTE: Start sheets 1" above the bottom of the base purlin and 1" out from the sidewall

CORNER TRIM

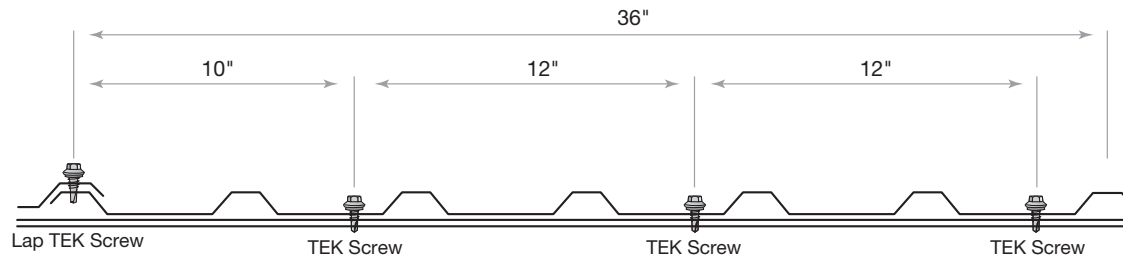
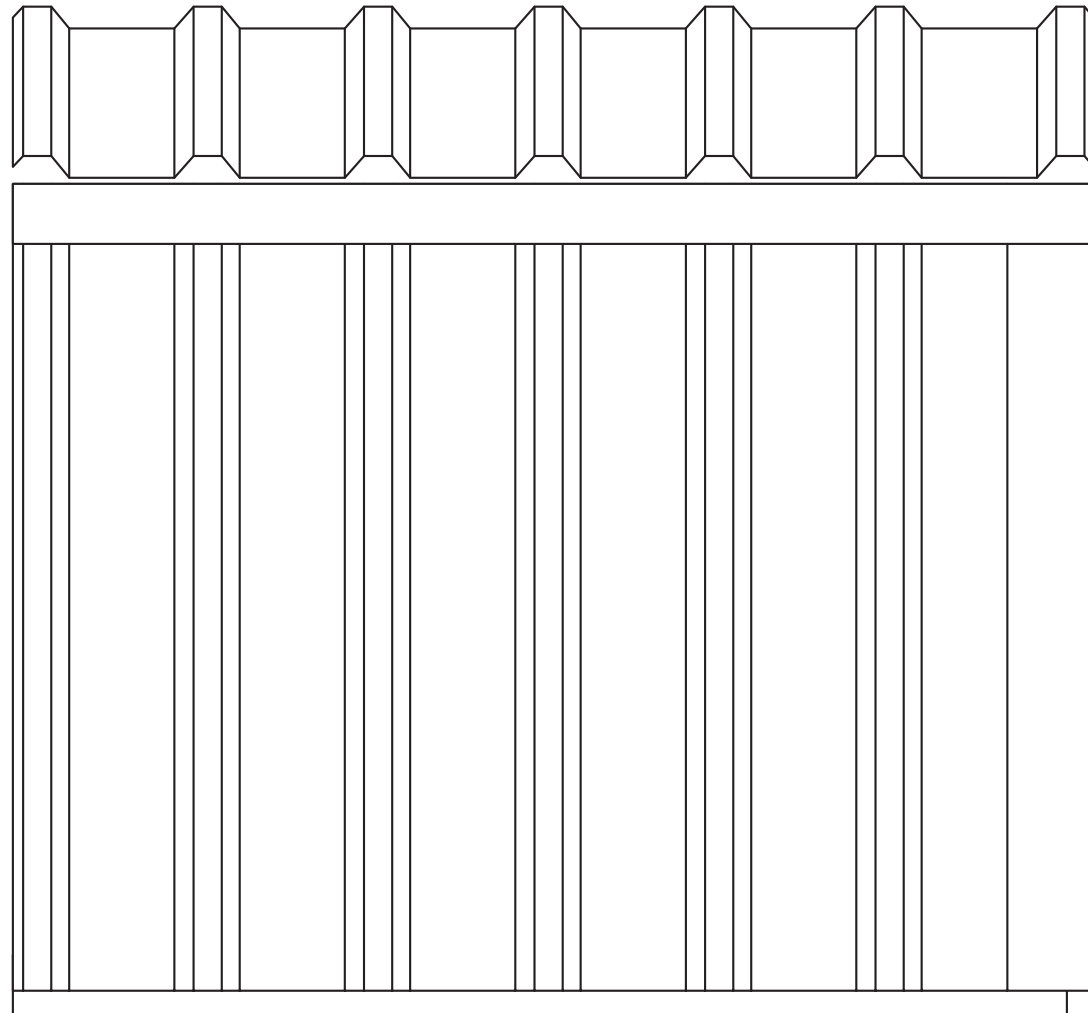


BACK SIDE WALL

Roof to wall sheet alignment

Align major ribs from wall to major rib on roof

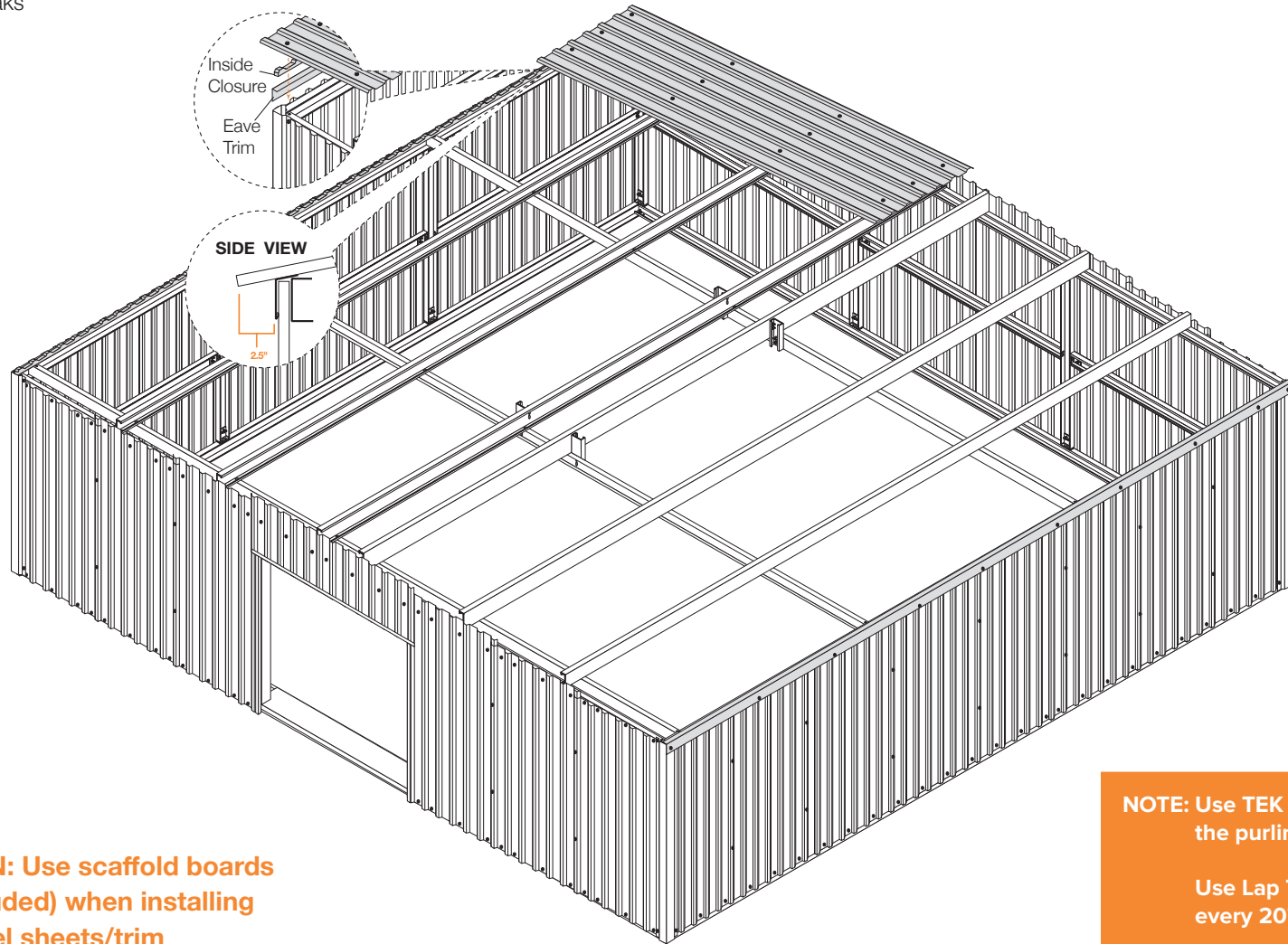
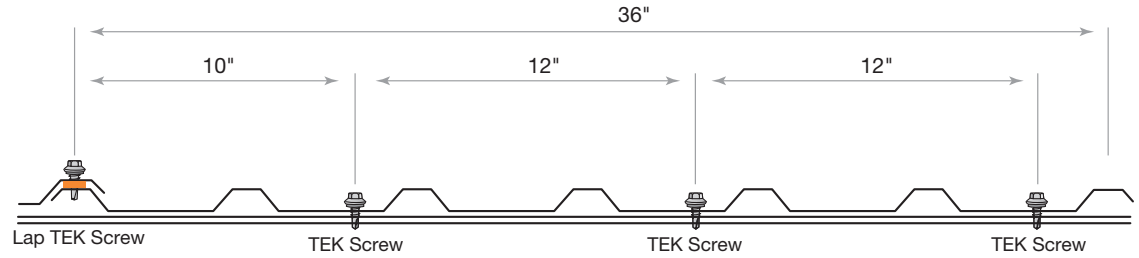
NOTE: Make sure panels remain square during installation.



SHEETING THE ROOF

Align roof sheets with wall sheets

Place sealer tape between roof sheets to avoid leaks



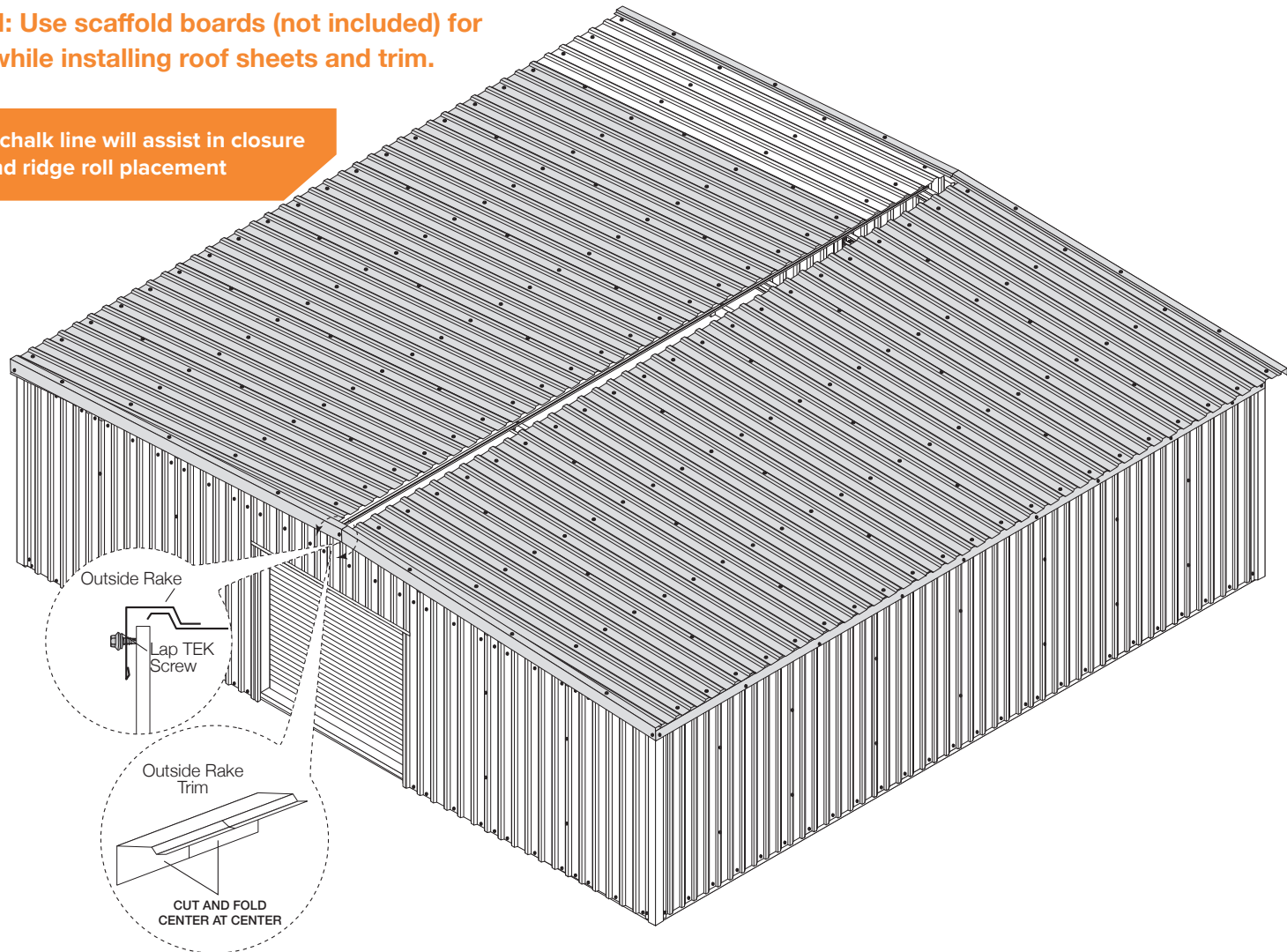
CAUTION: Use scaffold boards (not included) when installing roof panel sheets/trim

NOTE: Use TEK screws at the purlins
Use Lap TEK screws every 20" vertically

ROOFING TRIM DETAILS

CAUTION: Use scaffold boards (not included) for support while installing roof sheets and trim.

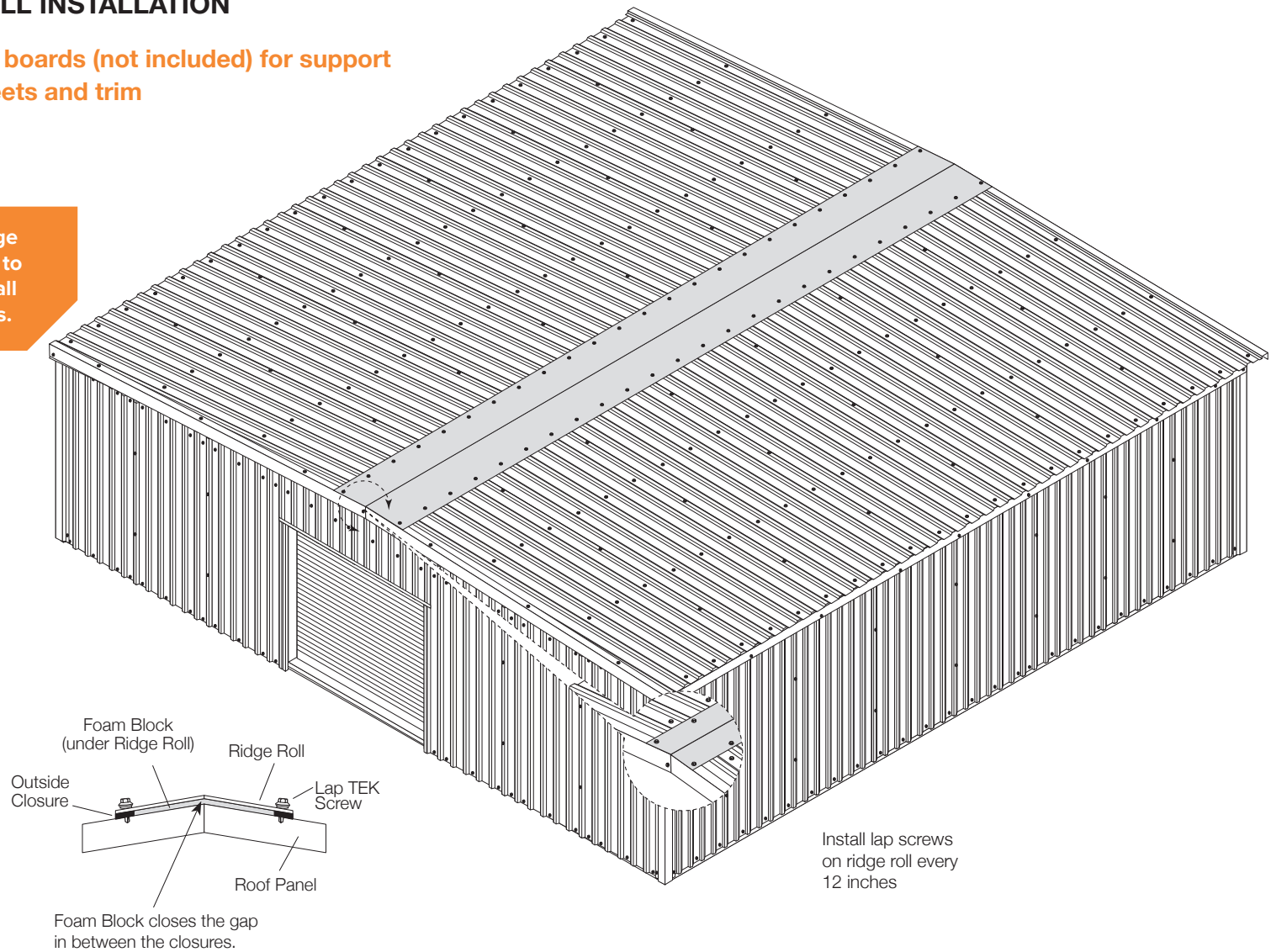
NOTE: A chalk line will assist in closure and ridge roll placement



SKYLIGHT RIDGE ROLL INSTALLATION

CAUTION: Use scaffold boards (not included) for support while installing roof sheets and trim

HINT: Screw corner of ridge roll and middle first to maintain pitch. Install remainder of screws.



TOTAL BUILDING MEASUREMENTS

