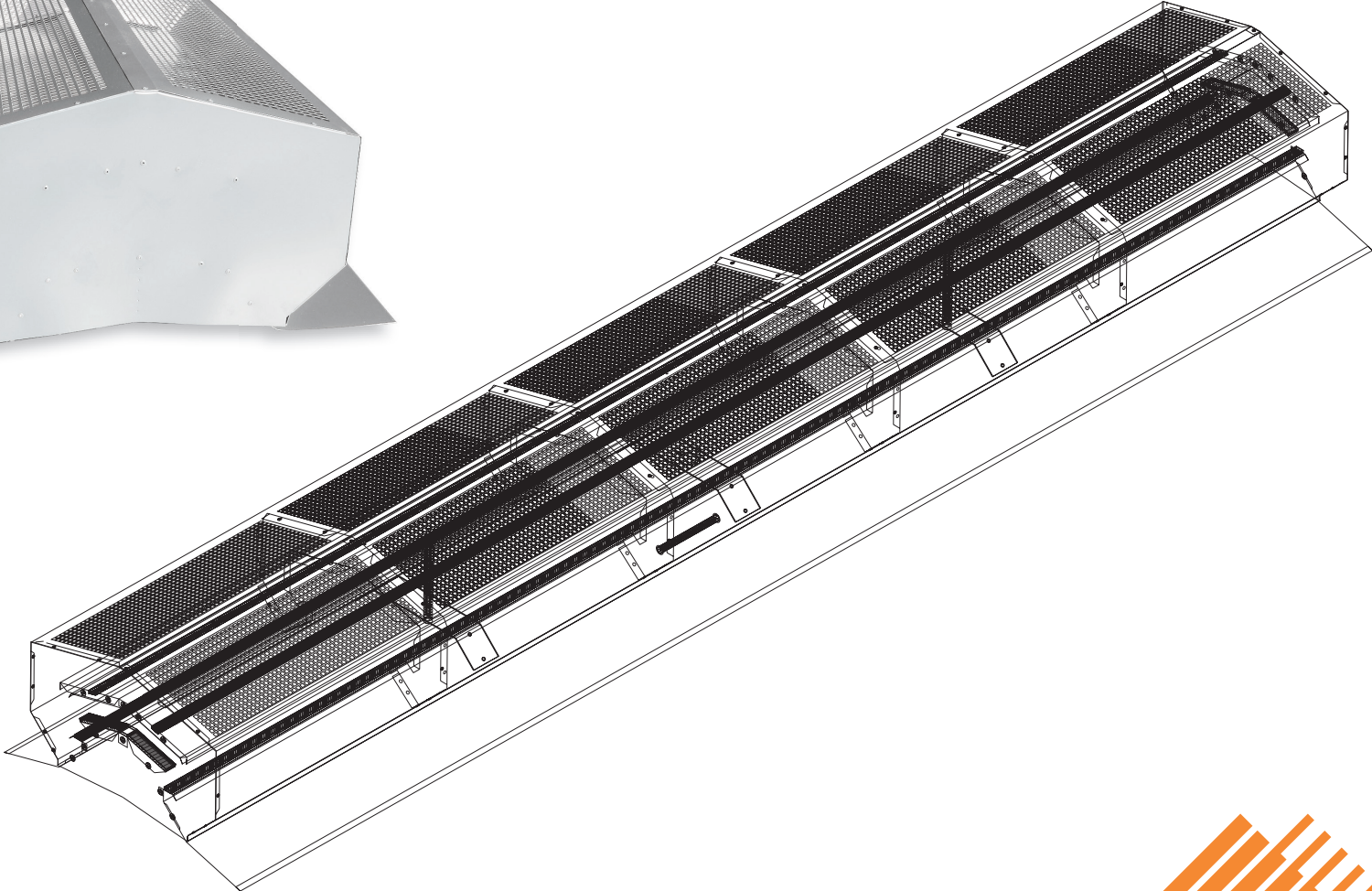
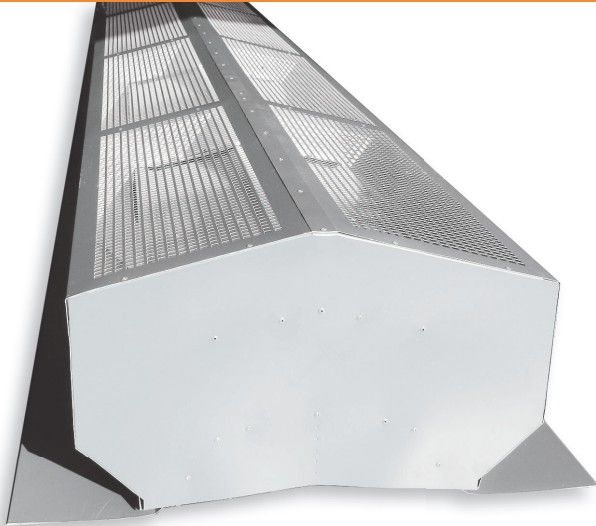
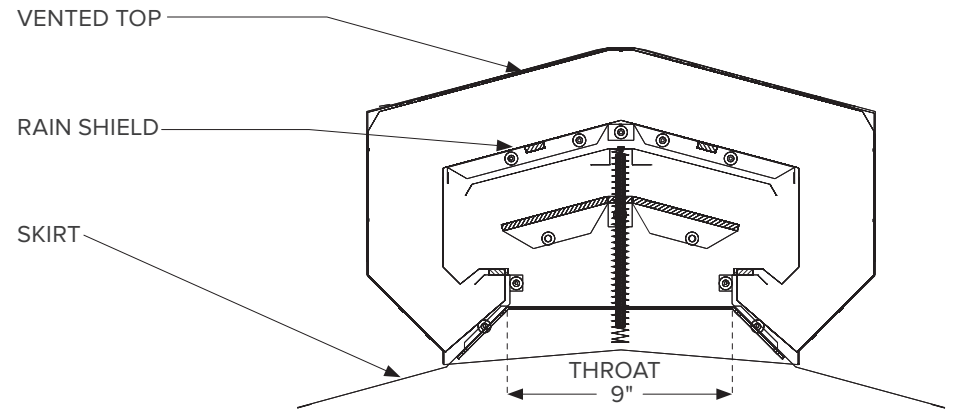
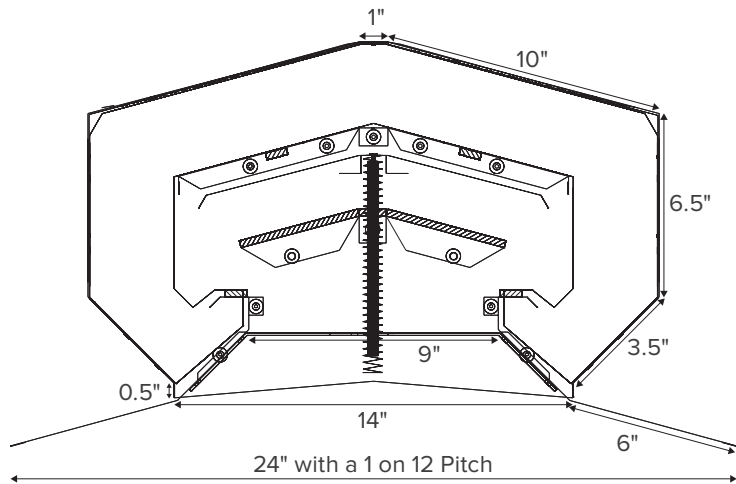


# COMMERCIAL RIDGE VENT INSTALLATION GUIDE

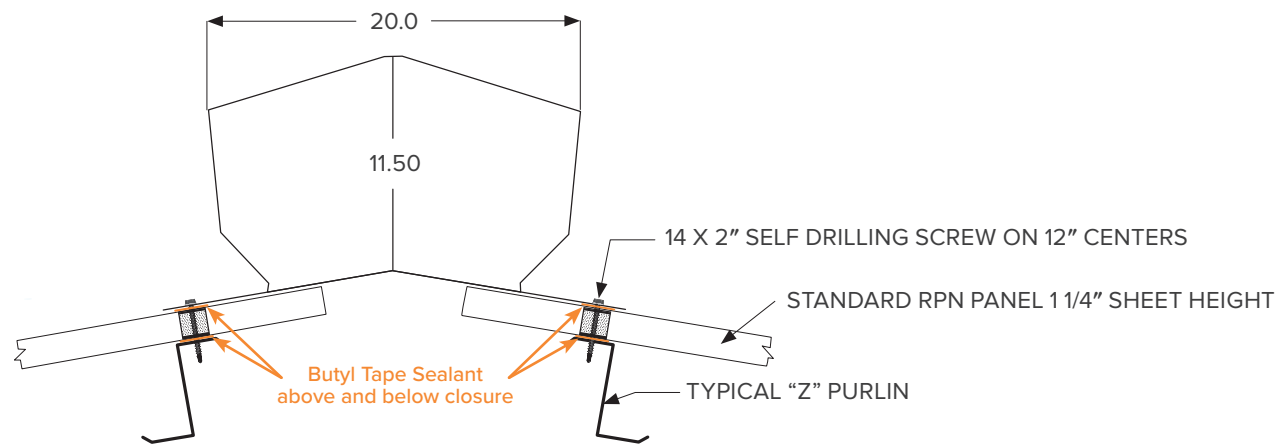


# INSTALLATION DETAILS

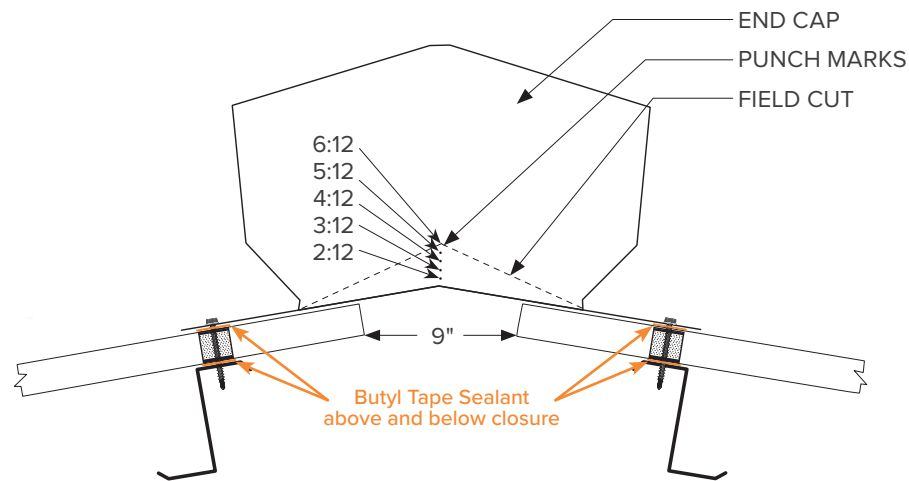
## COMMERCIAL RIDGE VENT



**DETAILED VIEW**



# PITCH ADJUSTMENT



**END CAP DETAIL**

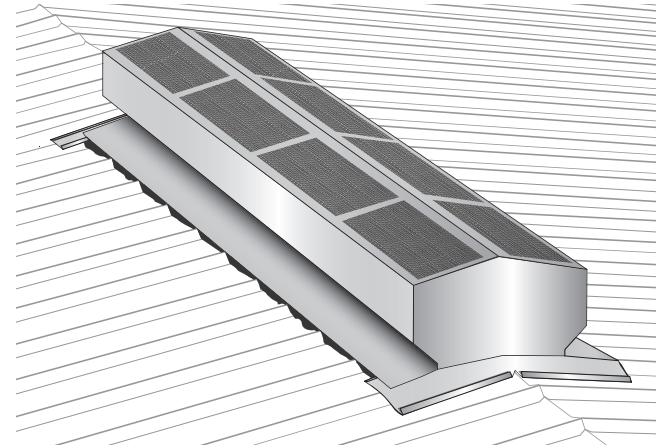
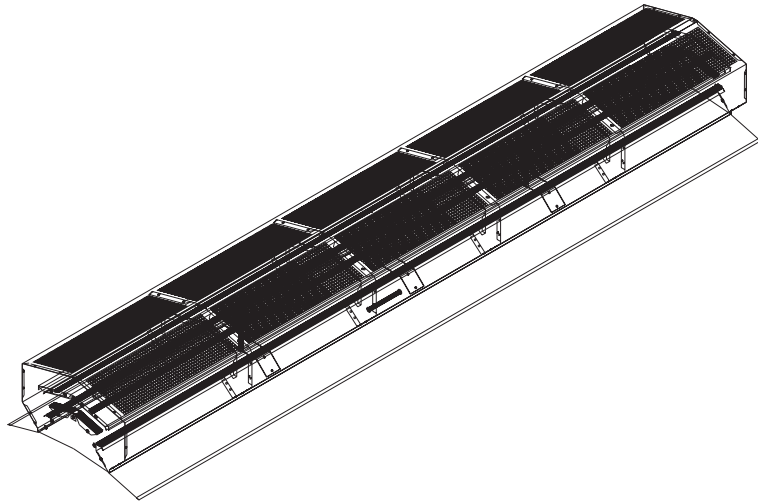
## **NOTE:**

End Cap has to be field cut to roof pitch. The dotted line illustrates cutting to the 6/12 pitch indicator on End Cap.

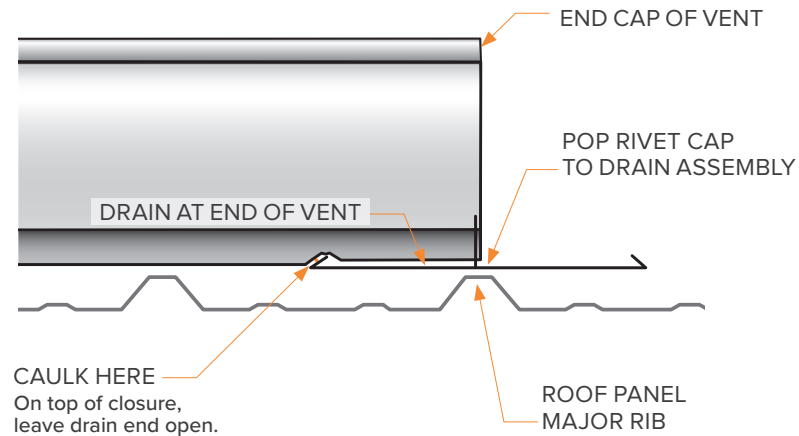
## **ROOF PITCH GREATER THAN 5:12**

Remove two bottom rivets before installing drain. Attach drain to end cap with pop rivets or lap screws.

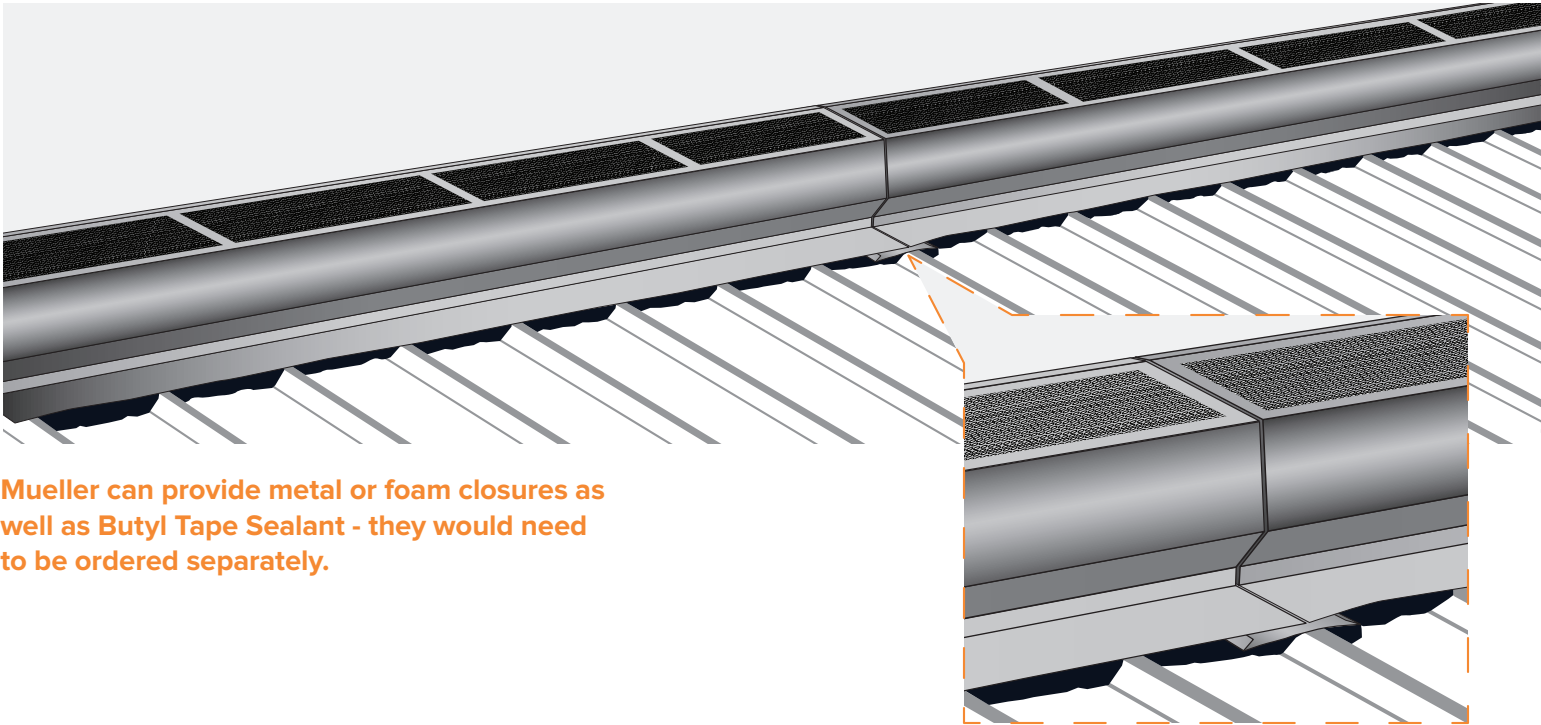
# SINGLE



Mueller can provide metal or foam closures as well as Butyl Tape Sealant - they would need to be ordered separately.



Single Vent Illustration of Installing Drain



Mueller can provide metal or foam closures as well as Butyl Tape Sealant - they would need to be ordered separately.

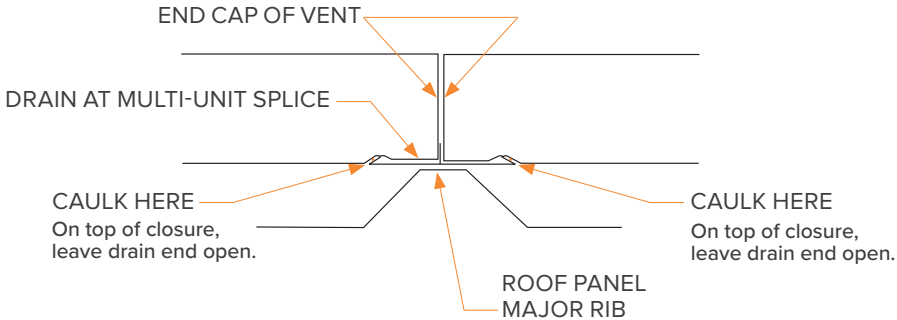


Illustration for Multi Unit Splice Installing Drain

## GENERAL MUELLER VENT (LOW PROFILE AND COMMERCIAL) WARRANTY

Referenced in Order Documents as Warranty Code VT05

**Scope and Remedy.** Vent products which have been fabricated by Mueller, Inc. shall be free of defects in material and workmanship for a period of one year after shipment. Mueller, Inc.'s sole responsibility for any such defects shall rest at Mueller, Inc.'s discretion to either (1) replacement of the defective product at the original point of delivery, or (2) reimbursement for the price paid by the customer for the defective product.

**Notification.** Buyer must notify Mueller, Inc. of defective material or workmanship within 30 days of discovery of the defect. Mueller, Inc. shall investigate and make a determination of coverage under this warranty. If materials or workmanship are deemed defective per generally accepted industry standards, Mueller, Inc. will provide one of the aforementioned remedies within 90 days from the date notice of defect is provided to Mueller, Inc.

MUELLER, INC. MAKES NO OTHER WARRANTY, EXPRESSED OR IMPLIED, AND HEREBY DISCLAIMS ANY AND ALL IMPLIED WARRANTIES, INCLUDING, BUT NOT LIMITED TO THE IMPLIED WARRANTIES OF MERCHANTABILITY AND FITNESS FOR A PARTICULAR PURPOSE; PROVIDED HOWEVER THAT ANY IMPLIED WARRANTY OF MERCHANTABILITY OR FITNESS FOR A PARTICULAR PURPOSE, IF ANY, THAT BY LAW MIGHT ACCOMPANY THIS PRODUCT BY VIRTUE OF PERSONAL, FAMILY, OR HOUSEHOLD USE THEREOF, IS HEREBY EXPRESSLY LIMITED IN DURATION TO A PERIOD OF ONE YEAR FROM DATE OF DELIVERY. UNDER NO CIRCUMSTANCES SHALL MUELLER, INC. BE LIABLE FOR CONSEQUENTIAL OR INCIDENTAL DAMAGES. MUELLER, INC.

Customer's acceptance of the products subject to this warranty represents acceptance of the terms and conditions of this warranty.



**CALL:** 877-2-MUELLER (877-268-3553)

**CLICK:** [WWW.MUELLERINC.COM](http://WWW.MUELLERINC.COM)

**COME BY:** 33 CONVENIENT LOCATIONS

