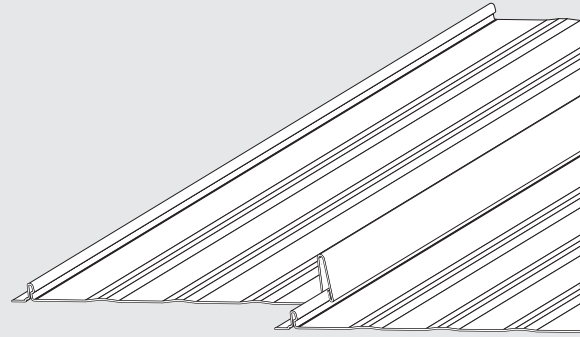




CWH PANEL MANUAL



METAL ROOFING INSTALLATION GUIDE

TABLE OF CONTENTS

PREPARATION REQUIREMENTS & RECOMMENDATIONS	3
SAFETY CONSIDERATIONS	4
CARE AND HANDLING OF MUELLER SHEET METAL	5
STORAGE	6
STANDARD PARTS	7
STANDARD PARTS	8
STANDARD PARTS	9
STANDARD PARTS	10
PRODUCT DESCRIPTION	11
STANDARD FASTENER LOCATIONS AT PANEL	12
RECOMMENDED SCREW PLACEMENT TABLE	13
IMPORTANT INFORMATION	14
DETAIL LOCATOR	15
BEGINNING THE PROJECT	16
BEGINNING THE PROJECT	16
STANDARD EAVE TRIM INSTALLATION WITH GUTTER	17
STANDARD ADJUSTABLE GABLE & STRIP INSTALLATION	18
STARTING AND ENDING PANEL INSTALLATION	19
HIGH SIDE RESIDENTIAL EAVE TRIM INSTALLATION	20
VALLEY PANEL AND TRIM INSTALLATION	21
STANDARD RIDGE ROLL AND HIP INSTALLATION	22
ENDWALL TO ROOF FLASHING INSTALLATION	23
SIDEWALL FLASHING INSTALLATION	24
ROOF PITCH CHANGE INSTALLATION	25
STANDARD PANEL ENDLAP	26
CHIMNEY INSTALLATION	27
CHIMNEY INSTALLATION	28
CWH ALTERNATE TRIM APPLICATION	29
CWH RAKE DETAILS	30
STARTING AND ENDING PANEL INSTALLATION	31
RESIDENTIAL RAKE DETAILS	31
DESIGN & FIELD HEMMING	32
RESIDENTIAL EAVE WOOD DECK	33
FLOATING VALLEY WOOD DECK	34
FIXED RIDGE & HIP WOOD DECK	35
SIDE WALL / PARAPET DETAILS WOOD DECK	36
FIXED END WALL / PARAPET DETAILS WOOD DECK	37
FIXED HIGH SIDE EAVE WOOD DECK	38
ROOF PITCH CHANGE INSTALLATION	39
CONTACTS	40



PREPARATION REQUIREMENTS & RECOMMENDATIONS

This detail & installation manual has been provided to serve as a suggested guideline for installing the Mueller CWH panel roof system. This manual should be used in conjunction with the erection drawings to help ensure proper installation of this roof system. In case of discrepancies, the erection drawings will govern over this installation guide.

It is the customer's responsibility to ensure that a competent and experienced erection crew is chosen for the installation of this roof system. It is also the customer's responsibility to ensure the erection crew understands and follows this installation manual and the erection drawings.

Mueller, Inc. is not responsible for any problems or defects caused by improper erection techniques. Any questions in regards to clarifying the intent of this manual or the erection drawings should be directed to Mueller's customer service department at the address and phone number shown on the back cover.

Warning: CWH Panels should not be installed on a roof that is less than a 3:12 pitch. When this panel is installed on pitches less than 3:12, heavy rainfall may lead to water accumulation and possible leaks.

Note: It is important that the roof be properly prepared before installation begins.

Decking

Mueller, Inc. recommends our metal roofing systems be installed over CDX plywood wooden roof decking with a minimum thickness of 15/32". Note: If using treated lumber, special corrosive resistant screws are required. Ask your sales representative for more information.

Stripping

The removal of existing roofing and the associated fasteners is generally necessary. This does not damage, and typically improves, the structural capacity of wood decks. During removal, many shingle fasteners may remain embedded in the deck. These fasteners can be pulled out or hammered flush with the deck.

Repairs

Deteriorated areas should be removed and replaced with material to closely match the existing thickness. The deck should be sound and smooth, with fasteners flush with the surface, prior to the installation of the metal roof. New wood decking, whether boards, planks, CDX plywood, or equal, should be the same thickness and have similar strength characteristics and span ratings to that of the area being replaced. Deck fasteners that have backed out should have a new fastener installed adjacent to it and the existing fastener should be removed. Loose or lifted boards, planks, plywood, and corners should have additional fasteners installed to secure the existing deck in place.

Holes in wood decks that are 10" wide or less can be covered with 20-gauge steel. This steel plate should be galvanized and must overlap the wood roof deck 4 inches minimum and be secured with fasteners 4 inches on center.

Fascia boards should be straight, level and in good condition. Any rotted or deteriorated boards should be replaced. All roof framing and decking abnormalities will be transferred to the new metal roof if not corrected before sheeting begins.

Underlayment

New underlayment must be immediately installed over prepared roof decking. Mueller recommends quality synthetic underlayment or a minimum 30# felt. This underlayment should be installed with a minimum of a 2" side lap and a 6" end lap. Underlayment temporarily protects the roof decking against water penetration. It should be installed using galvanized tin caps (not plastic caps). The underlayment should be fastened to the deck with galvanized roofing nails with tin caps 12" on center in the field and 6" on center at the sidelaps.

Flashing

Re-roofing projects incorporate metal flashing and metal counter-flashing. Some counter-flashing are embedded, such as a masonry wall, or are installed behind existing siding. This metal, if not deteriorated, may be reused. The existing metal can be cut, leaving approximately a minimum of 2" of flashing exposed, and new counter-flashing can be fastened to the backside of the existing metal. Counter-flashing must be slightly higher than the top of the rib on the sheets to be installed.

SAFETY CONSIDERATIONS



As with all major construction projects, safety should be a primary concern. The erector or contractor should be sure that all OSHA safety rules are followed and that job safety is strictly adhered to.

The following safety equipment is highly recommended when installing metal roofing:

1. Safety rope and harness
2. Hand protection
3. Eye protection
4. Hearing protection
5. Soft rubber soled shoes

Metal roofing presents several specific safety issues:

1. Metal roofing is extremely slick and does not provide firm footing. Extreme care should be taken when:
 - A. Working on roofs with very steep pitches.
 - B. Working on roofs when moisture is present.
 - C. Working on roofs when high wind is a factor.
 - D. Working with long panels.
2. Metal edges are very sharp and should be handled with care.
3. Care should be used when lifting panels due to their weight.
4. Always check for overhead electrical lines and exercise care not to have metal sheets come in contact with them.
5. All electrical tools should be inspected regularly for damaged cases or frayed electric cords. Extension cords should be inspected for damaged or frayed insulation. Tools which do not meet good safety standards should not be used.

CAUTION: Care should be taken when cutting sheets. Eye and hearing protection are important.

Panels may be slick!

Because of the demands of the manufacturing process, oil has been applied to the coil stock to protect the coil, as well as the finished panel during manufacturing, shipping and storage. Metal panels must be wiped clean prior to panel installation.

NOTE: Always wear rubber soled work boots. When on the roof, use OSHA approved protection devices such as safety lines, safety nets or catch platforms.

UNSECURED PANELS MAY SLIP IF STEPPED ON!

Never step on a single unsecured roof panel, or a stack of roof panels laying unattached on the roof. Secure each end of the panel with clamps or appropriate fasteners and place walkboards of adequate size and strength in the flat of any panels not fully secured to the roof and supported by panels on each side. Walkboards should run the full length of the panel and be fastened together by drilling a hole near the end of each board and tied with rope to the next board. Cut a groove in the bottom of each board so the board will lie flat and not tip back and forth because of the rope.



CARE AND HANDLING OF MUELLER SHEET METAL

Delivery: Mueller takes every precaution to ensure that material is delivered to the customer damage-free and fully protected from the elements during shipment. When the material is delivered to the customer it then becomes the customer's responsibility to protect the material from the elements, possible theft, and other damage. The following guidelines are recommended:

HANDLING: Proper care is required in unloading and handling panel bundles in order to prevent damage.

1. Bundles should remain banded (if possible) during the unloading process. Bundles should never be lifted by the banding material.
2. Lift each bundle as close as possible to its center of gravity.
3. If the bundles are to be lifted with a crane, use a spreader bar of appropriate length and nylon band slings (do not use wire rope slings as they will damage the material).
4. Depending on the panel length, some bundles may be lifted by a forklift. When using a forklift, the forks should be spread to their maximum spacing, and the load centered on the forks. Sheets over 25' long require two forklifts.
5. After panel bundles are opened, individual sheets must be handled carefully to prevent panel buckling or damage to the panel coating. When removing a sheet from a bundle it should be rolled off the bundle to prevent scratching of the next sheet. Never drag or slide one sheet over another sheet. Sheets should not be picked up by the ends. Instead, lift the sheet along its longitudinal edge and carry in a vertical position. For sheets over 10' long, two or more people may be required to carry the sheet.

Wall and Roof Panels

Mueller's wall and roof panels, including color coated, galvalume and galvanized, provide excellent service under widely varied conditions. All unloading and erection personnel should fully understand that *these panels are quality merchandise which merit cautious care in handling.*

Under no circumstances should panels be handled roughly. Packages of sheets should be lifted off the truck with extreme care taken to ensure that no damage occurs to ends of the sheets or to side ribs. The packages should be stored off the ground sufficiently high to allow air circulation underneath the packages. This avoids ground moisture and deters people from walking on the packages. One end of the package should always be elevated to encourage drainage in case of rain.

All stacked metal panels are subject, to some degree, to localized discoloration or stain when water is trapped between their closely nested surfaces. Mueller, Inc. exercises extreme caution during fabrication and shipping operations to ensure that all panel stock is kept dry. However, due to climatic conditions, water formed by condensation of humid air can become trapped between stacked sheets. Water can also be trapped between the stacked sheets when exposed to rain. This discoloration caused by trapped moisture is often called "wet storage stain."

The stain is usually superficial and has little effect on the appearance or service life of the panels as long as it is not permitted to remain on the panels. However, moisture in contact with the surface of the panels over an extended period can severely attack the finish and reduce the effective service life. Therefore, it is imperative that all panels be inspected for moisture upon receipt of the order. If moisture is present, dry the panels at once and store in a dry, warm place.

STORAGE

Storage: It is recommended that sheets be kept covered and out of the elements if at all possible. If sheets are to be stored outside, the following precautions should be observed:

1. The storage area should be reasonably level, and located so as to minimize handling.
2. When stored on bare ground, place plastic ground cover under the bundles to minimize condensation on the sheets from ground moisture.
3. Store bundles at least 12 inches above ground level to allow air circulation beneath the bundle, and to prevent damage from rising water.
4. Elevate one end of each bundle slightly to permit runoff of moisture from the top of the bundle or from between sheets. A waterproof cover should be placed loosely over the bundles to allow for air circulation under the cover.
5. Inspect stored bundles daily and repair any tears or punctures in the waterproof cover.
6. Re-cover opened bundles at the end of each work day to prevent subsequent moisture damage.

Checking order at time of delivery:

Check each order carefully, as it is unloaded. Report any obvious damage or shortages to the carrier immediately. If damage or shortages are noted after delivery (at time of unpacking) notify your Mueller representative immediately. Have invoice numbers and detailed descriptions of the damage or shortage available. These procedures are for your protection. A shortage or damage discovered later can be caused by theft, misplacement, mishandling or other causes and is not the responsibility of Mueller, Inc.

Underlayment: The underlayment should be one layer of Titanium, quality synthetic underlayment or 30# felt. The Titanium should have a 2" side lap and a 6" end lap. The underlayment should be fastened to the deck with galvanized roofing nails with tin caps 12" on center in the field and 6" on center at the sidelaps.

Never Install Material if the Quality is in Question!

TOOLS REQUIRED

The following list of tools is recommended when installing metal roofing:

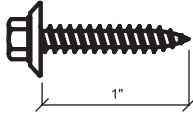
1. Aviation snips - left, right, straight	5. Safety equipment: goggles, hard hat, and soft rubber soled shoes.	10. Gloves	16. Fire extinguisher
2. Screw gun 2500 RPM with appropriate nut drivers	6. Square	11. Broom	17. Saw horses
3. Tape measure	7. Straight edge	12. Extension cords	18. First aid kit
4. Caulking gun	8. Chalk line	13. Ladder	19. Tarp
	9. Vise grips	14. Hammer	20. Electric shear or nibbler
		15. Drill bits	

CAUTION: Whenever using any type of power equipment, it is important to follow the manufacturer's recommendation for use. Always be aware of the danger involved when using electric or air powered equipment.



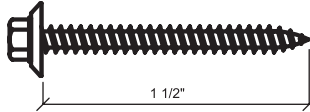
STANDARD PARTS

#9 x 1" Woodgrip



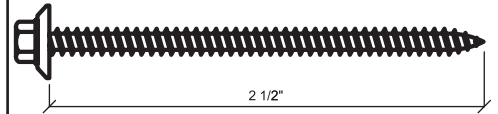
- 1/4" HEX WASHER HEAD
- 1/2" O.D. EPDM SEALING WASHER
- CORROSION RESISTANT COATING
- PAINTED OR MILL FINISHED HEAD

#9 x 1 1/2" Woodgrip



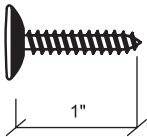
- 1/4" HEX WASHER HEAD
- 1/2" O.D. EPDM SEALING WASHER
- CORROSION RESISTANT COATING
- PAINTED OR MILL FINISHED HEAD

#9 x 2 1/2" Woodgrip



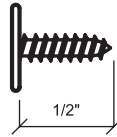
- 1/4" HEX WASHER HEAD
- 1/2" O.D. EPDM SEALING WASHER
- CORROSION RESISTANT COATING
- PAINTED OR MILL FINISHED HEAD

#10 x 1" Wafer Head



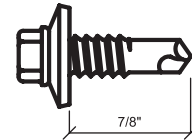
- #2 PHILLIPS DRIVE
- WAFER HEAD SCREW TYPE A
- CORROSION RESISTANT COATING
- MILL FINISHED HEAD

Stitch Screw 1/2"



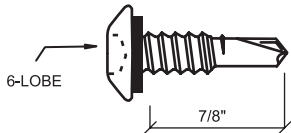
- #2 PHILLIPS DRIVE
- CORROSION RESISTANT COATING
- PAINTED OR MILL FINISHED HEAD

#14 x 7/8" LapTek



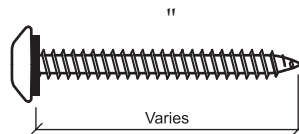
- 5/16" HEX WASHER HEAD
- EPDM SEALING WASHER
- CORROSION RESISTANT COATING
- PAINTED OR MILL FINISHED HEAD

#14 x 7/8" Low Profile Lap Screw



- LOW PROFILE DESIGN
- LARGE DIAMETER HEAD FOR RESISTANCE
- CORROSION RESISTANT COATING
- PAINTED OR MILL FINISHED HEAD

#12 Low Profile 1", 1 1/2", 2 1/2"



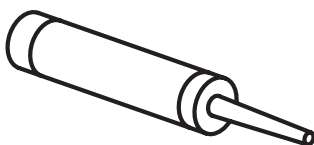
- 1/2" HEAD DIAMETER
- CORROSION RESISTANT COATING
- PAINTED OR MILL FINISHED HEAD

1/8" x 3/16" Pop Rivet



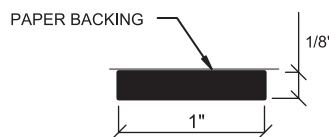
- 1/8" DIAMETER
- 3/16" GRIP RANGE
- STAINLESS STEEL
- PAINTED OR MILL FINISHED HEAD

Tube Sealant



- POLYURETHANE
- 11 OZ. TUBE SIZE

Butyl Tape



- 50'-0" LENGTH

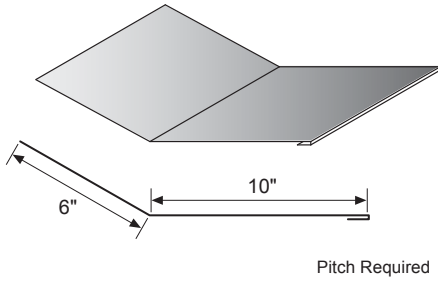
Note: If using treated lumber, special corrosive resistant screws are required. Ask your sales representative for more information.

STANDARD PARTS



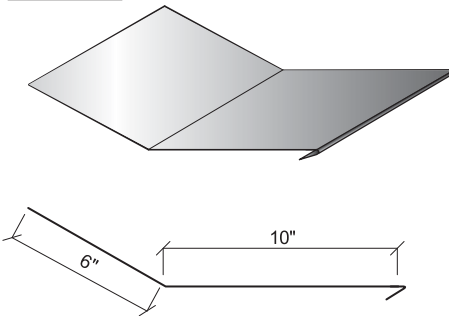
Transition Trim

#1486



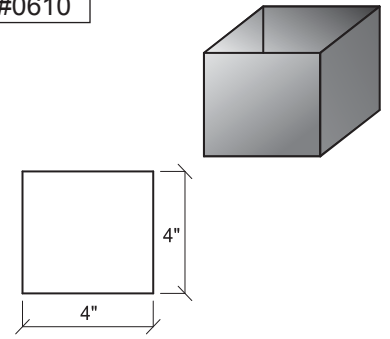
Transition Trim Profile

#1418



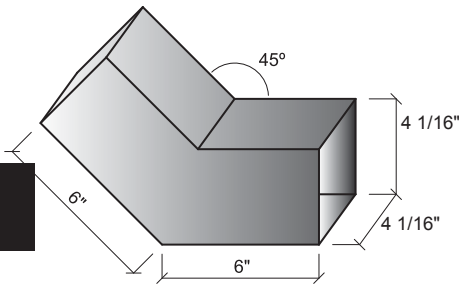
Downspout Profile

#0610



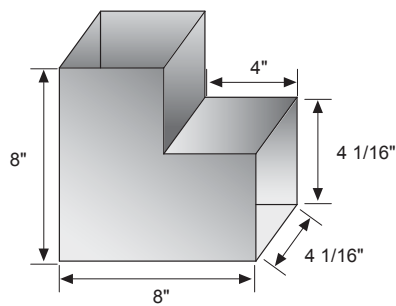
Downspout Kickout 45° Profile

#0620



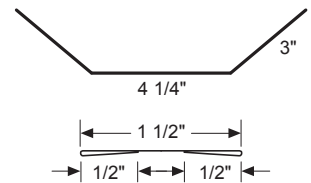
Downspout Kickout 90° Profile

#0621



Downspout Strap Profile

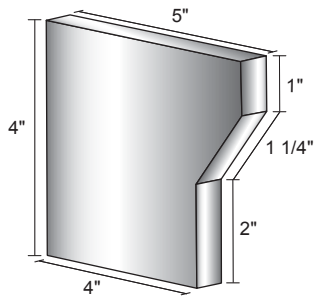
#1010



8

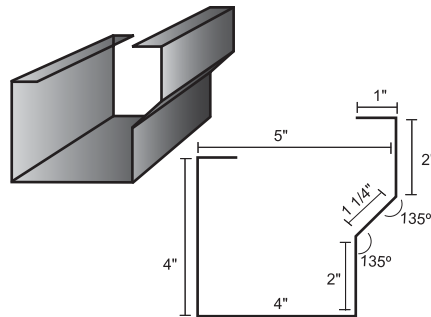
Gutter Endcap for 0501

#1101



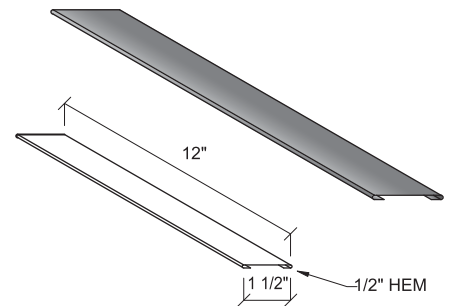
Residential Gutter Profile

#0501



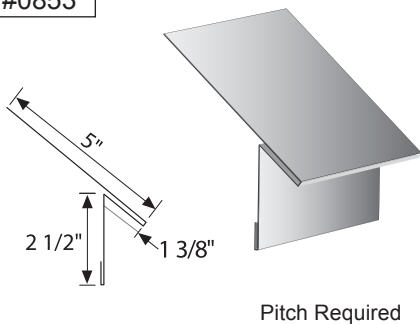
Gutter Strap

#1002



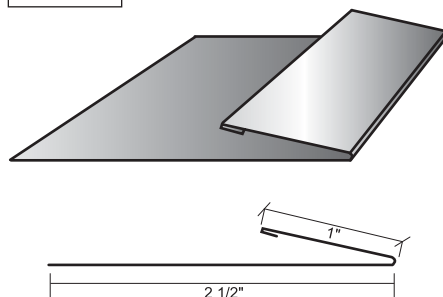
House Roof Eave 9.5"

#0853



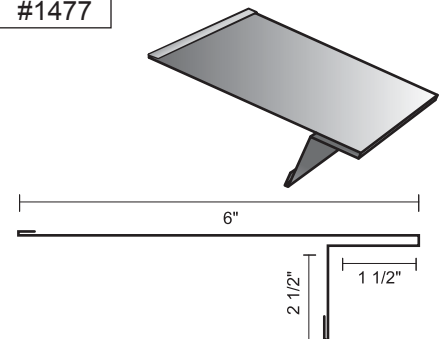
Adjustable Gable Strip Profile

#1476



Adjustable Gable Trim Profile

#1477

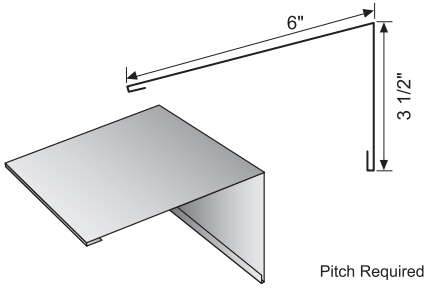




STANDARD PARTS

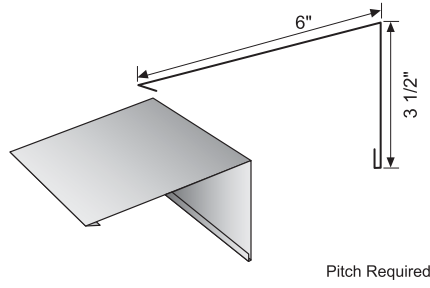
High Side Eave Trim

#0802



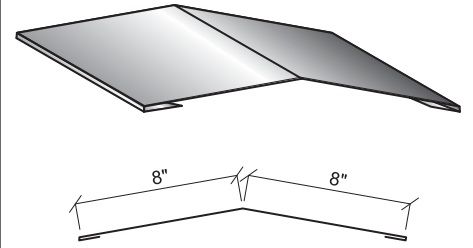
High Side Eave Trim

#0809



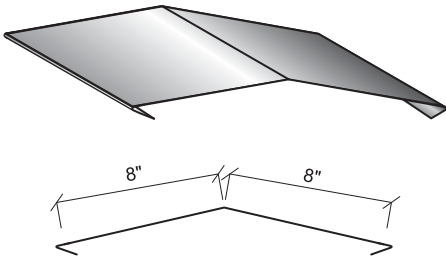
Ridge Roll Profile

#0222



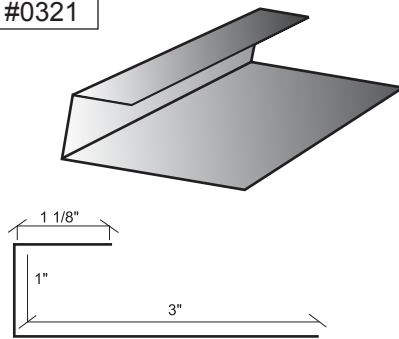
CW Ridge Roll

#0209



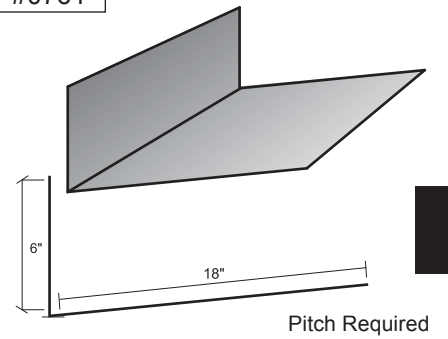
J-Closure

#0321



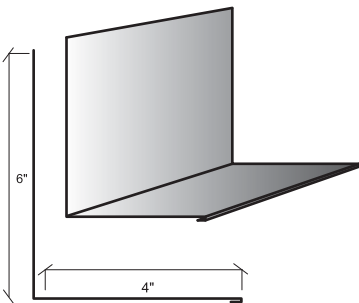
Chimney Flashing Uphill

#0761



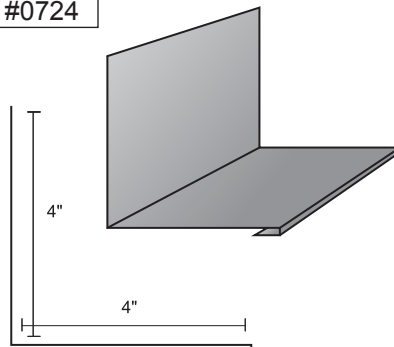
Chimney Flashing Side

#0762



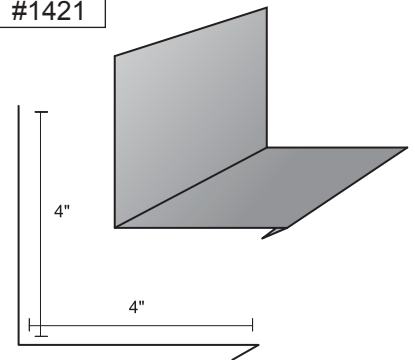
Sidewall Flashing

#0724



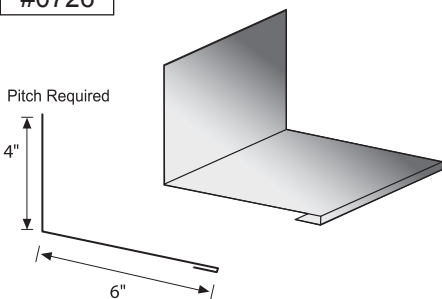
Sidewall Flashing CW

#1421



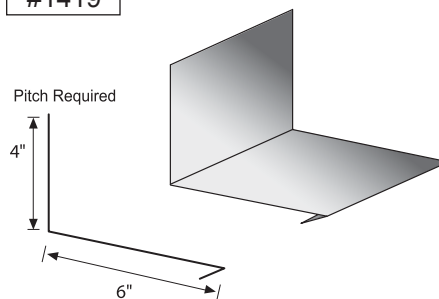
Endwall to Roof Flashing

#0726



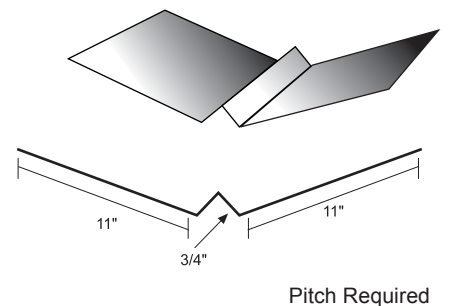
Endwall to Roof Flashing CW

#1419



CF and AP Valley Flashing

#0541

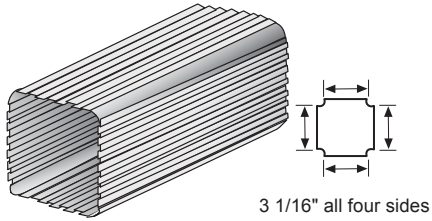


STANDARD PARTS



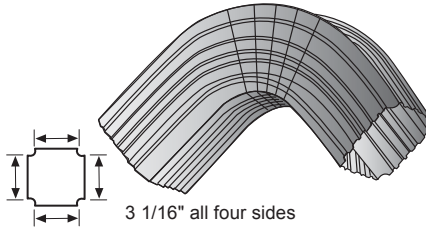
Sculptured Downspout

#0630 - crimped on one end



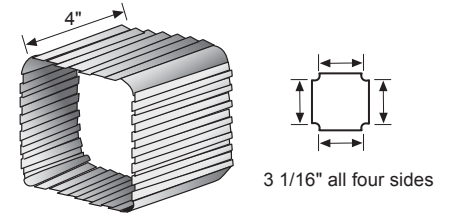
Sculptured Elbow

#0640 - crimped on one end



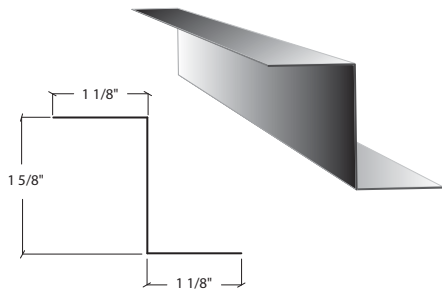
Sculptured Sleeve

#0650 - crimped on one end



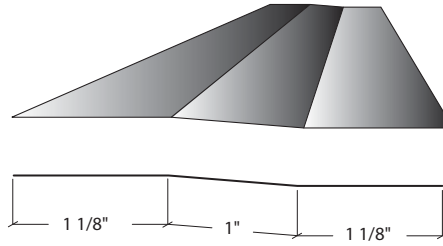
CWH Enddam / Zee

#1810



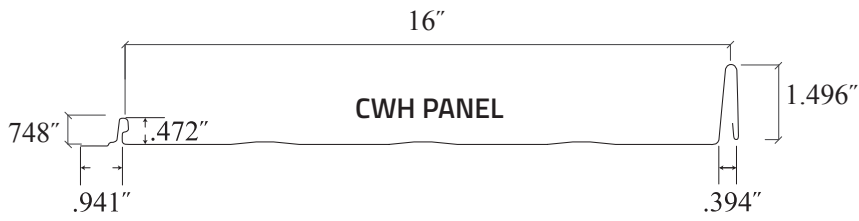
Valley Cleat

#1499





PRODUCT DESCRIPTION

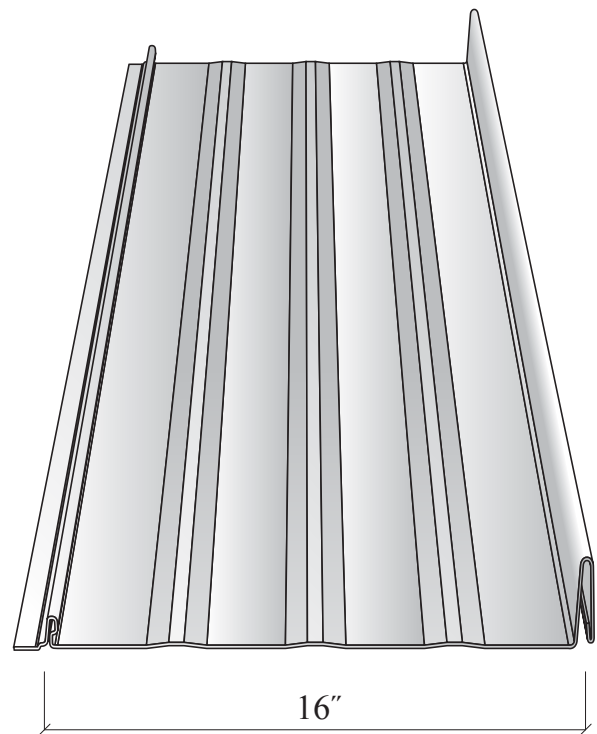
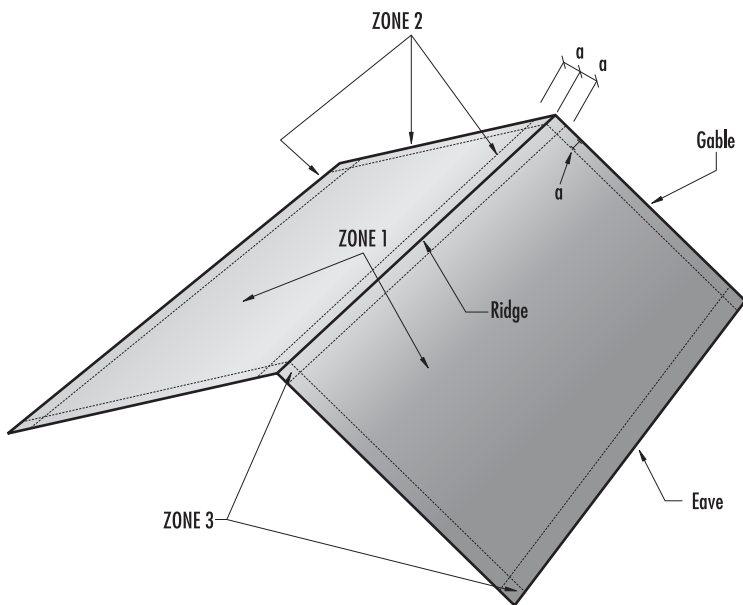


- 16" Coverage
- 24 Gauge
- Striated CWH Panel

For color selections, please request a color chart.

For paint warranty information please visit www.muellerinc.com/paint-warranties

WARNING! CWH Panel should not be installed on a roof that is less than a 3:12 pitch. When this panel is installed on pitches less than 3:12, heavy rainfall may lead to water accumulation and possible leaks.



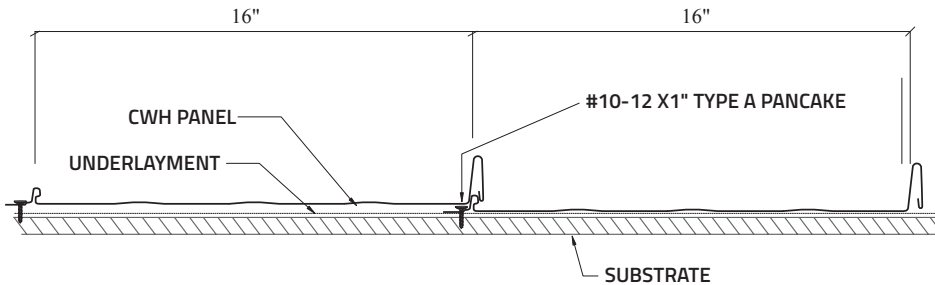
Note: Dimension (a) is defined as 10% of the minimum width of the building or 40% of the mean height of the roof, whichever is smaller, however, (a) cannot be less than either 4% of the minimum width of the building or 3 feet.

STANDARD FASTENER LOCATIONS AT PANEL

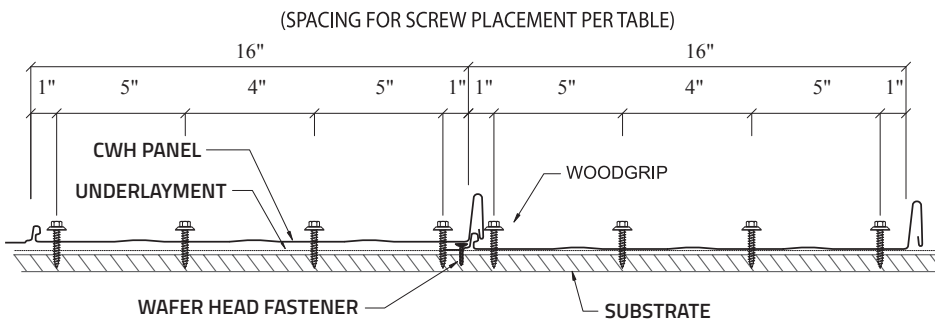


ATTACHMENT TO PLYWOOD

TYPE 1: FASTENER LOCATION AT PANEL INTERIOR



TYPE 2: FASTENER LOCATION AT END



WARNING! Mueller trim comes with a protective film coating to aid in the prevention of scuffing. Do not allow this film to be exposed to the sun. Exposure will bond the film to the metal making removal difficult.

Note: To comply with Texas Windstorm Certification Testing, #12x11 SDT Type A screws must be used in place of the #9 Woodgrip screws.



CWH PANEL

RECOMMENDED SCREW PLACEMENT TABLE

FASTENING SCHEDULE SPACING ALONG PANEL NAIL STRIP*

			DESIGN WIND PRESSURE		
ZONE	FASTENER	SUBSTRATE	-78.5 PSF	-116.0 PSF	
			ON CENTER SPACING	NAILSTRIP ON CENTER SPACING	SCREWS IN PAN ON CENTER SPACING
Zone 1	#10-13 X 1"	15/32" CDX	11"	6 3/4"	2 Screws 12" O.C.
Zone 2	#10-13 X 1"	15/32" CDX	11"	6 3/4"	2 Screws 12" O.C.
Zone 3	#10-13 X 1"	15/32" CDX	6"	6 3/4"	2 Screws 12" O.C.

PANEL FASTENING SCHEDULE SPACING**

SUBSTRATE	NAIL STRIP FASTENER	NAILSTRIP SPACING	PAN FASTENER	PAN ATTACHMENT	DESIGN WIND PRESSURE
15/32" CDX	#10-13 X 1"	11 5/8"	#12 x 1"	N/A	58 PSF
15/32" CDX	#10-13 X 1"	7"	#12 x 1"	N/A	118.25 PSF
7/16" OSB	#10-13 X 1"	9 1/4"	#12 x 1"	N/A	56 PSF
7/16" OSB	#10-13 X 1"	4 5/8"	#12 x 1"	N/A	76.2 PSF
7/16" OSB	#10-13 X 1"	4 5/8"	#12 x 1"	2 FASTENERS 12" O.C.	101 PSF

* PSF values are approved by Texas Department of Insurance and subject to change.

** Texas Department of Insurance approval pending.

Note: If using treated lumber, special corrosive resistant screws are required. Ask your sales representative for more information.

IMPORTANT INFORMATION



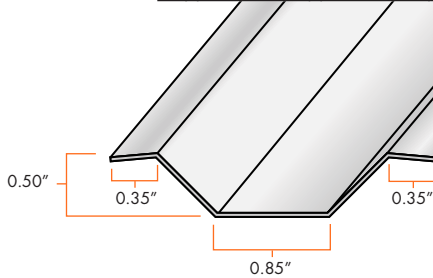
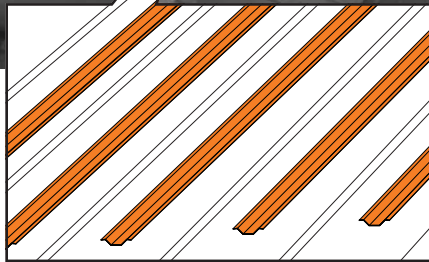
OIL CANNING

What is Oil Canning?

Oil canning is described as a wavy appearance often occurring in the flat areas of formed metal products, such as metal roofs. The structural integrity of the metal is not affected by oil canning – it's simply an aesthetic issue. The term oil canning is an industry standard used to describe this occurrence and is not a reason for rejection.

Things to Expect

- If the deck is bowed up or has a belly, the new sheets will oil can.
- High temperatures are often a factor when waviness occurs. Once it gets cooler, the effect will likely diminish.
- Changes in light – including overcast days, shade, and intense sunlight – can affect the appearance of oil canning. Oil canning will seem less prominent in the shade but will be more noticeable in brighter light.
- The color of the metal panel can also affect the appearance of oil canning. For example, oil canning is more evident on galvalume, copper or other metallic colors.

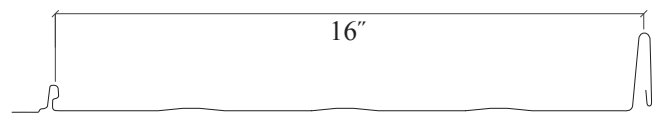


14

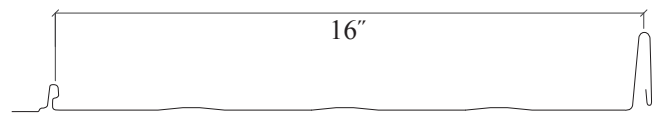
OPTIONAL APPLICATION OF OIL CAN REDUCTION TRIM OR FOAM

The purpose of this application is to reduce the effect of oil canning on the Mueller CF panels. It will not completely eliminate oil canning on these panels. The strip must be applied down the flat section of the panel.

1. Prior to applying the panel, the oil canning reduction trim should be positioned on the decking so that the trim is centered in the flat section between the ribs of the panel when it is applied.
2. The trim should be positioned to start 3' from one end and stop 3' from the other end of each panel.
3. The trim should be held in place by screwing through the trim into the decking at each end of the trim piece.
4. Reduction trim sections are 12'. These should be field cut to length as needed. All joints should be butted not lapped. Drops need to be utilized.
5. Oil Canning Reduction Foam is installed by applying adhesive side of foam to the back of the panel, stopping 3' from the start and end of the panel.



Oil Canning Reduction Trim on CWH Panel

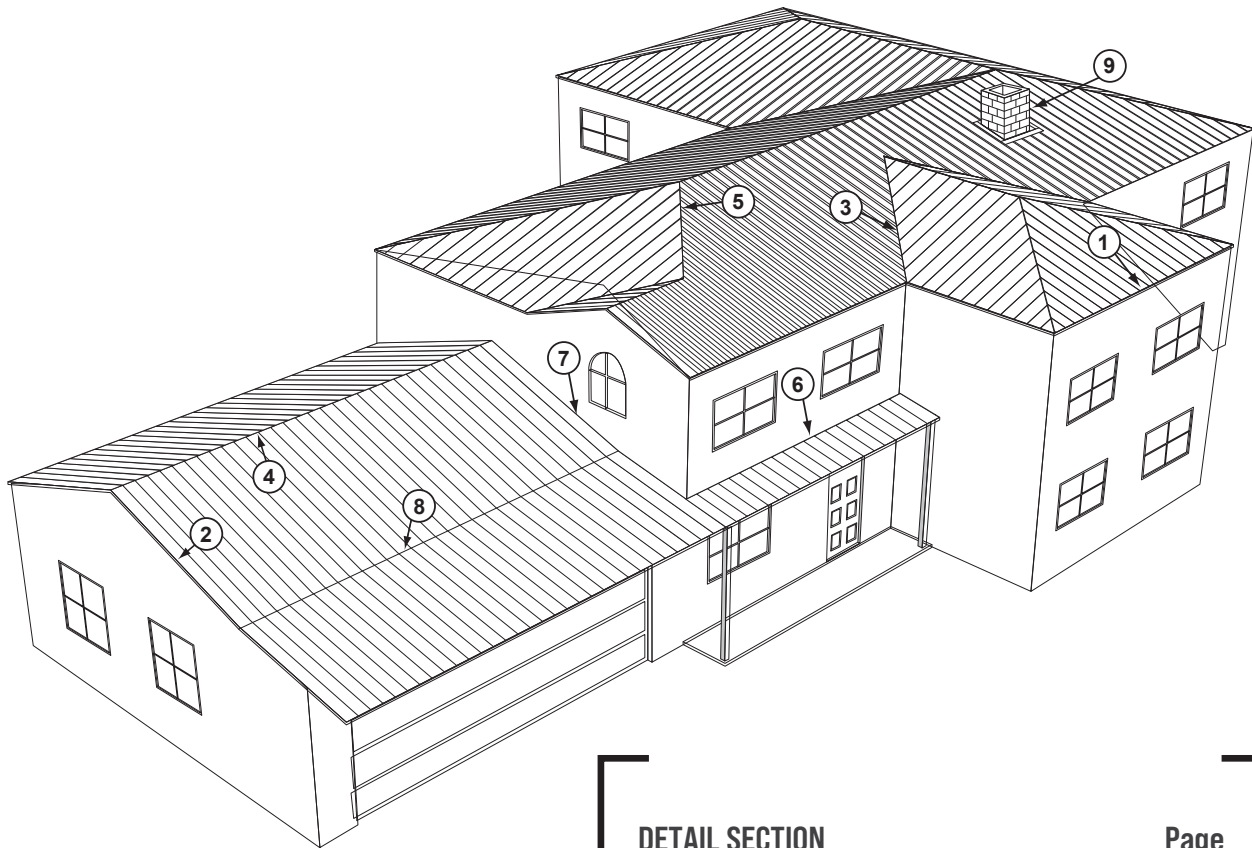


Oil Canning Reduction Foam on CWH Panel

Details are subject to change without prior notice.



DETAIL LOCATOR



DETAIL SECTION

Page

①	Eave	15
②	Gable	17
③	Valley	20
④	Ridge	21
⑤	Hip.....	21
⑥	Endwall to Roof Transition	22
⑦	Sidewall Flashing.....	23
⑧	Pitch Change	24
⑨	Chimney Flashing	26

BEGINNING THE PROJECT

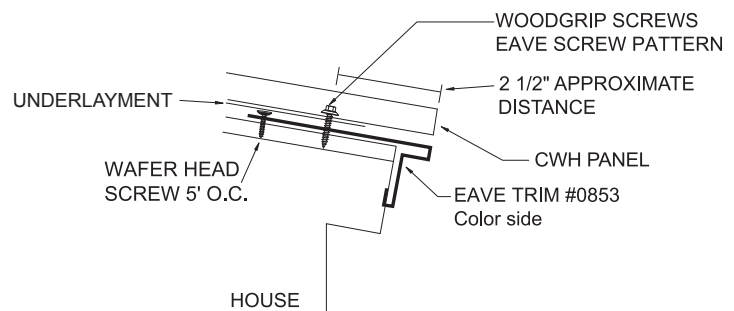


EAVE TRIM INSTALLATION

1. Install the eave trim by sliding it underneath the underlayment and securing it to the roof surface with wafer head screws on 5' centers.
2. There are no screws or nails to be placed in the exposed fascia of the trim.
3. At the corners, cut the eave trim 1 1/2" long and prepare the ends with tabs to receive the gable trim.

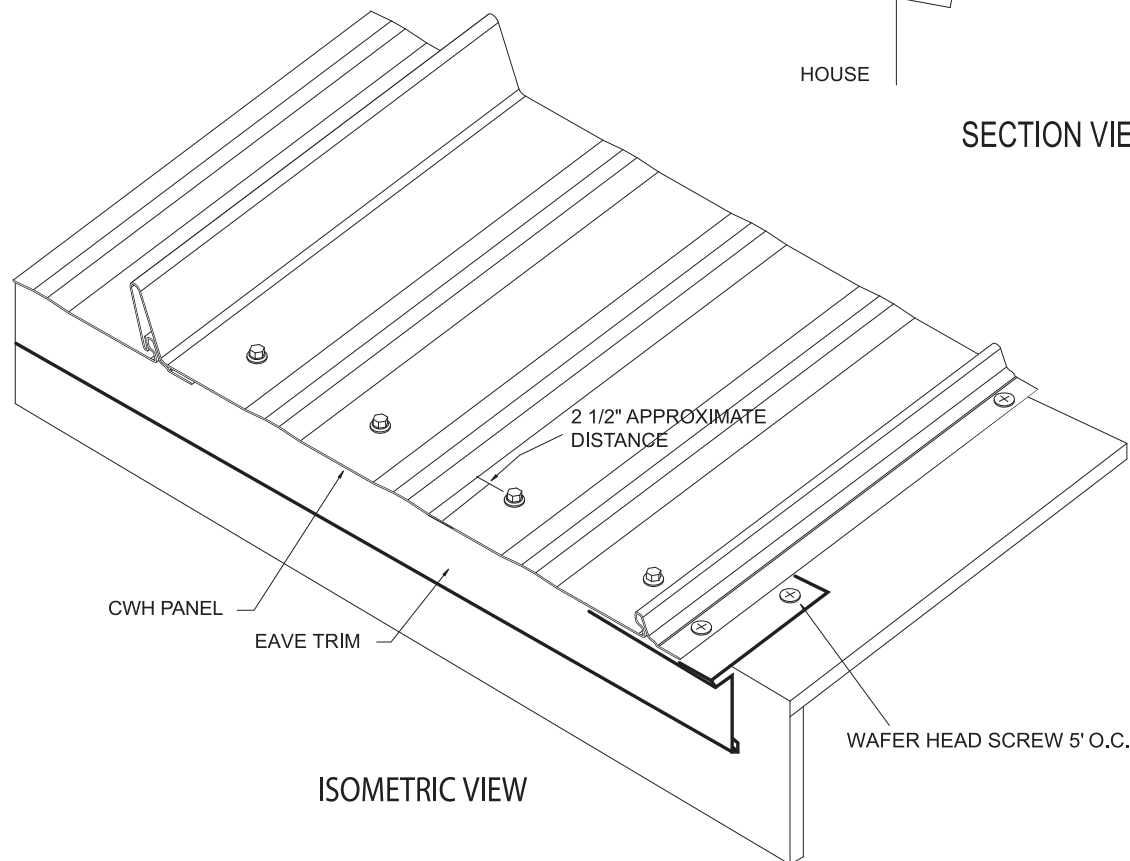
NOTE: Alternate trim profiles are acceptable using the screw pattern shown.

Option: The overhang illustrated below may be increased to extend up to 4" past the eave trim.



SECTION VIEW

16

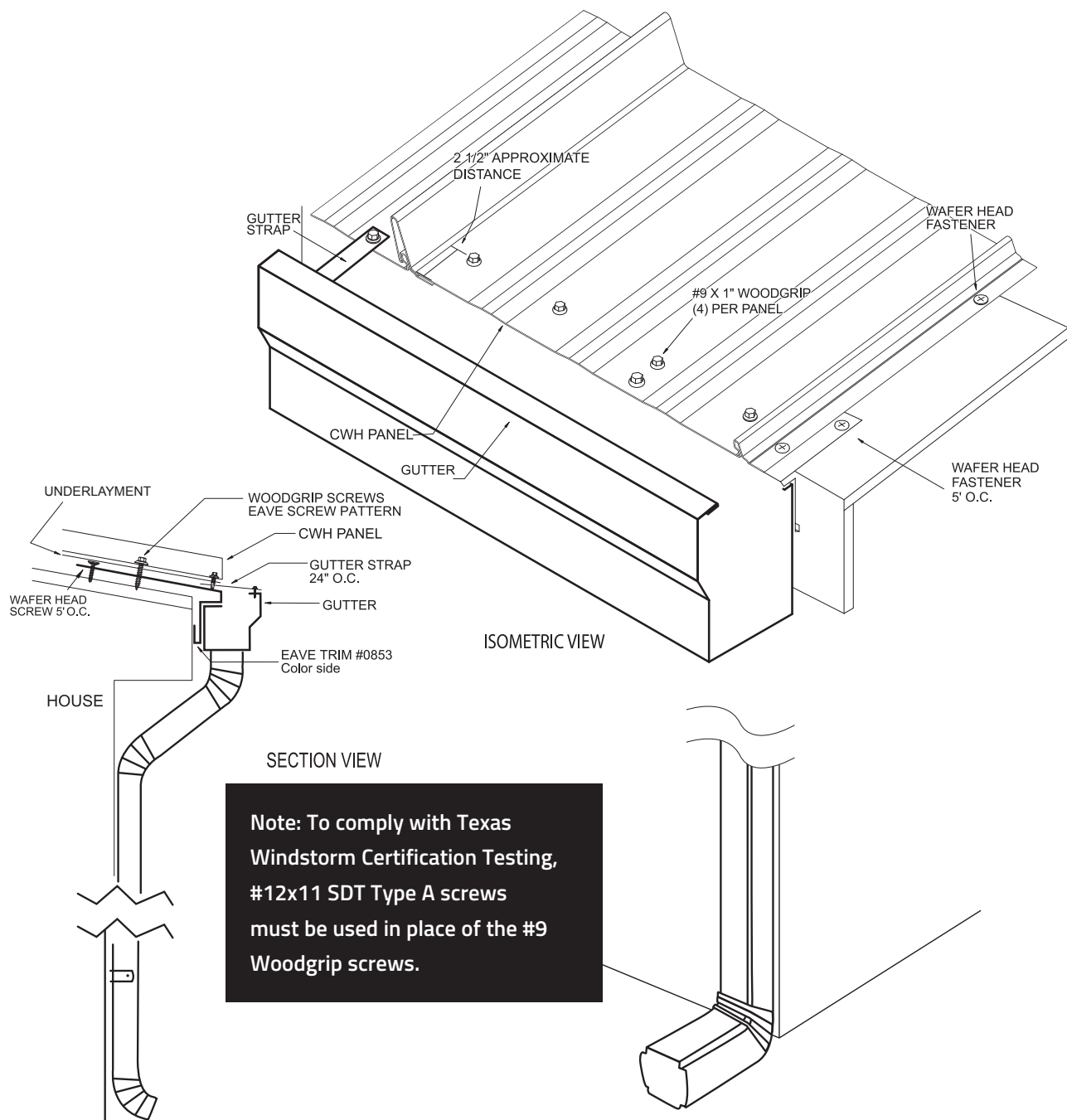


ISOMETRIC VIEW

STANDARD EAVE TRIM INSTALLATION WITH GUTTER

1. Install the eave trim to the substrate with wafer head fasteners at 5' O.C.
2. Position the roof panel so that the down slope end matches the dimension called for on the erection drawings.
3. Attach the roof panels at the eave with (4) #9 x 1" woodgrip screws - (4) per panel.
4. Attach the gutter to the panel and the eave trim with #14 x 7/8" lapteks @ 24" O.C.
5. Install the gutter strap at alternate 24" with #14 x 7/8" lapteks on the sheet end of strap, and stitch screws, pop rivets, or lap screws on gutter end of the strap.

NOTE: Alternate trim profiles are acceptable using the screw pattern shown.

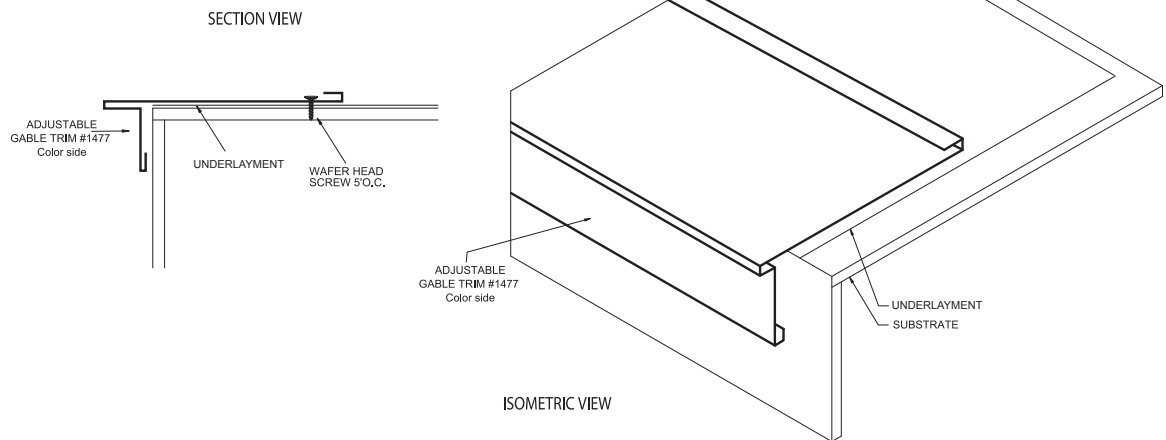


Note: To comply with Texas Windstorm Certification Testing, #12x11 SDT Type A screws must be used in place of the #9 Woodgrip screws.

STANDARD ADJUSTABLE GABLE & STRIP INSTALLATION

1. Starting at the corner, install the adjustable gable trim along the sloping gable, placing it on top of the underlayment.
2. Attach with wafer head screws 5' on centers (adjustable strip applied after valley trim).
3. Slide gable trim over eave trim at corner.
4. At the peak, one gable trim should be cut vertical to the ground and overlap at the junction of the two gable trims.

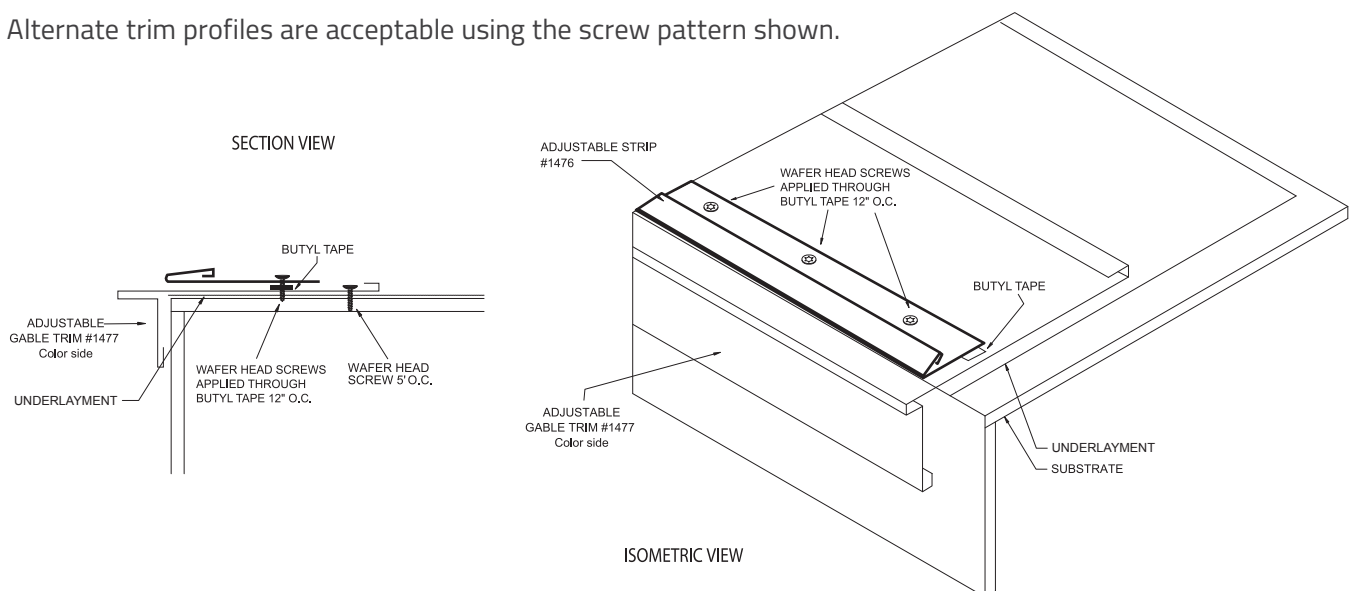
NOTE: Alternate trim profiles are acceptable using the screw pattern shown.



18

1. If valley trim is intersecting the gable, the valley must be installed first.
2. Pre-drill 1/8" holes on 12" centers along the length of adjustable gable strip #1476.
3. Butyl tape should be applied to the bottom of the strip covering pre-drilled holes. Place the strip the desired distance from the outside edge of the gable trim (optimal distance 2"), making sure it is aligned parallel to the gable, perpendicular to the eave line and between the open hem at the edge of the adjustable gable trim and the outside of the trim.
4. The adjustable strip is attached to the roof with wafer head screws on 12" centers from eave to ridge using pre-drilled holes, making sure the screws are applied through the butyl tape. This condition exists in both Starting Panel and End Panel Installation.

NOTE: Alternate trim profiles are acceptable using the screw pattern shown.



Details are subject to change without prior notice.

STARTING AND ENDING PANEL INSTALLATION

Starting Panel

1. Apply adjustable strip as previously instructed.
2. Remove the overlap rib of the panel, making a straight cut the length of the panel.
3. Apply butyl tape continuously down the length of the adjustable strip, covering the wafer head screw.
4. Insert the cut edge of the panel into the strip, making sure the panel is seated fully into the strip.
5. Attach the underlap side to the roof with wafer head screws on the required centers.

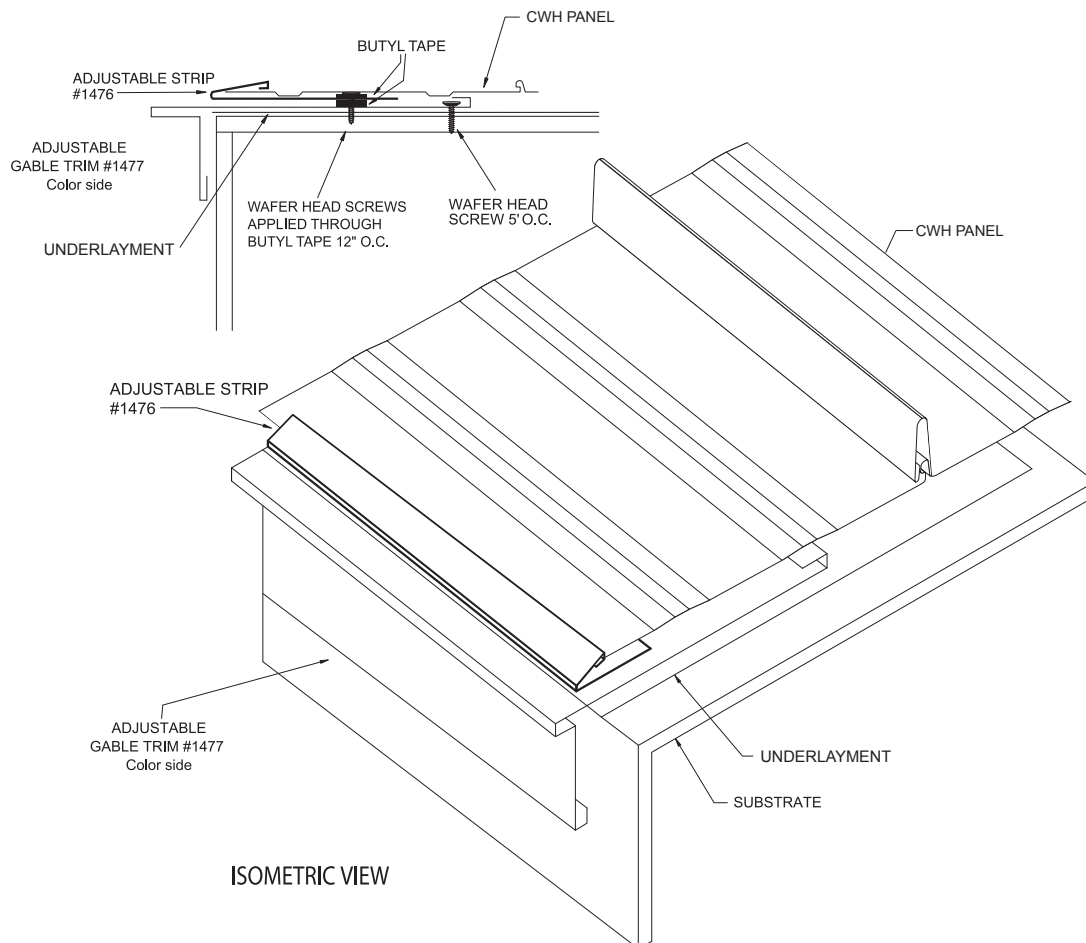
NOTE: Alternate trim profiles are acceptable using the screw pattern shown.

Ending Panel

1. Remove the underlap rib of the panel at a point that is inside the adjustment portion of the gable trim, making a straight cut the length of the panel (optimal 2" from gable edge).
2. Apply adjustable strip as previously instructed.
3. Test apply the panel to assure proper fit.
4. Apply butyl tape and insert last panel into strip, making appropriate panel lap.

NOTE: Alternate trim profiles are acceptable using the screw pattern shown.

SECTION VIEW

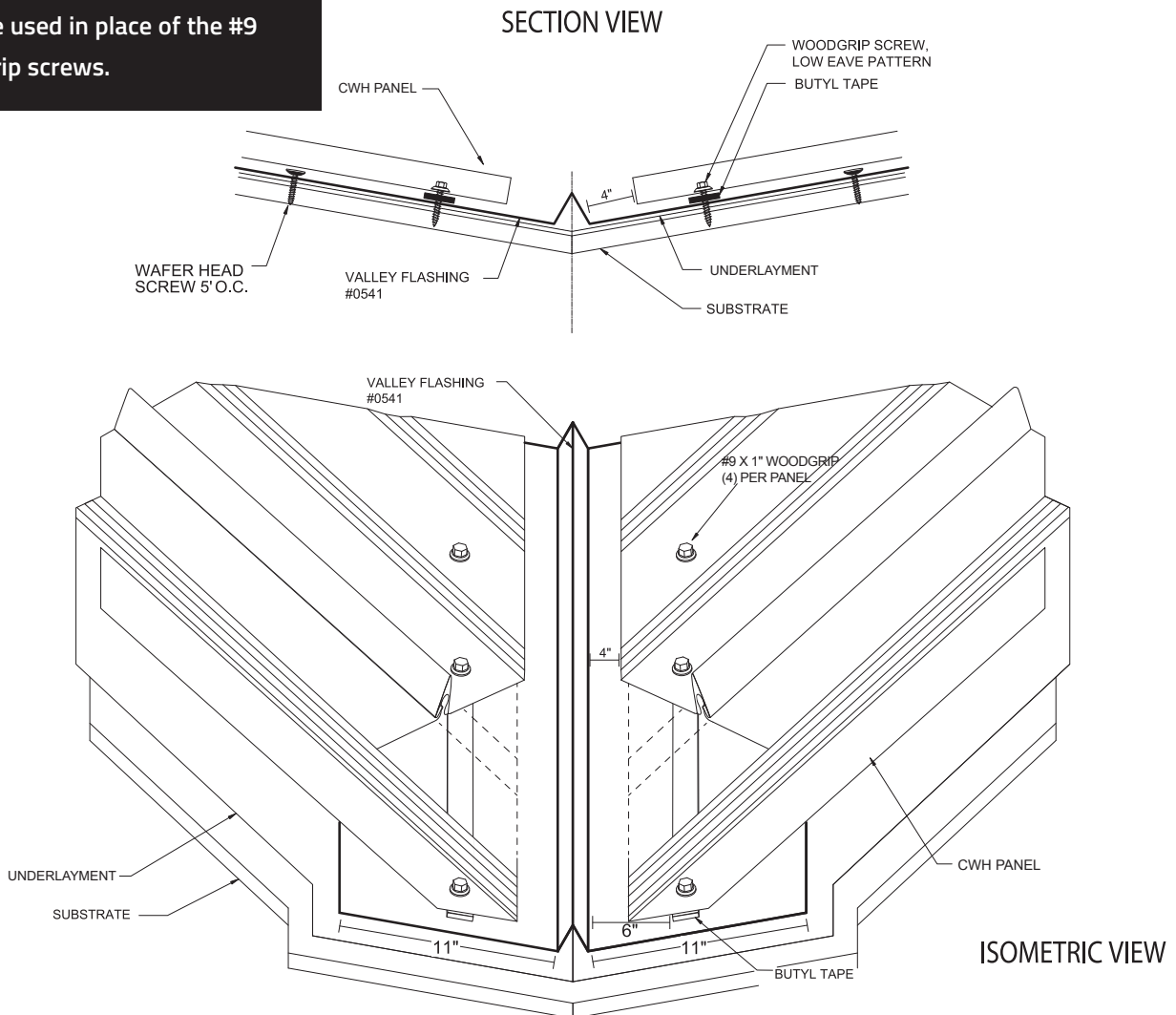


VALLEY PANEL AND TRIM INSTALLATION

1. Start at the low end, trim and place the valley flashing. The valley end should overhang the eave trim 1".
2. If there is an end lap required in the valley pieces, caulk and lap at least 8".
3. Use wafer head screws on 5' centers to secure the valley in place along the outside edge.
4. Hem the edges of the valley over the eave trim, after trimming the center "V" back 1" to align with the edge of the eave. Leave a tab to bend and cover the exposed opening of the center "V".
5. Place butyl tape on the upper surface of the valley 6" up slope from the "V" of the valley trim, before applying intersecting panels.
6. Field cut the panels that intersect the valley holding the end of the panel 4" back from the "V" of the valley trim and parallel to the "V" of the valley.
7. Attach panel at valley using eave screw requirements for panel being installed.

NOTE: Alternate trim profiles are acceptable using the screw pattern shown.

Note: To comply with Texas Windstorm Certification Testing, #12x11 SDT Type A screws must be used in place of the #9 Woodgrip screws.



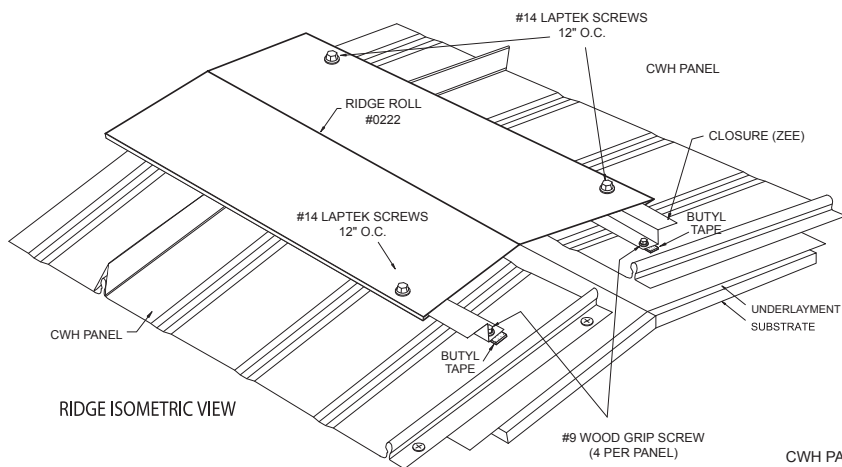
STANDARD RIDGE ROLL AND HIP INSTALLATION



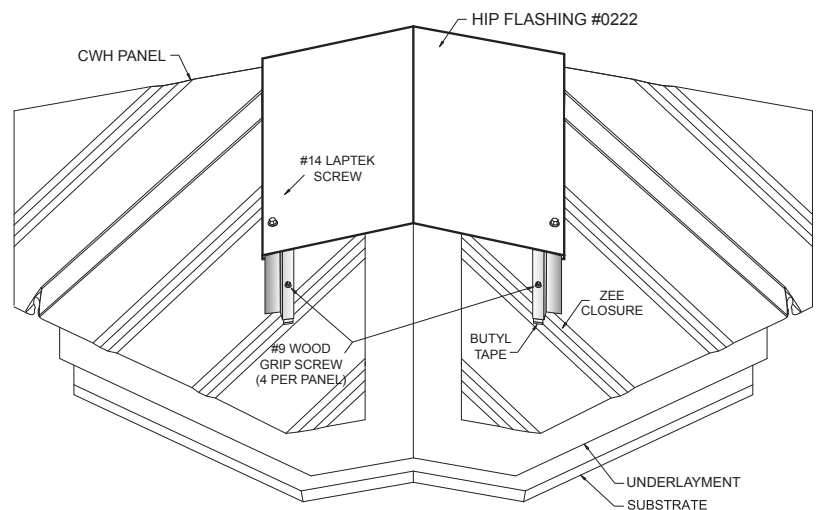
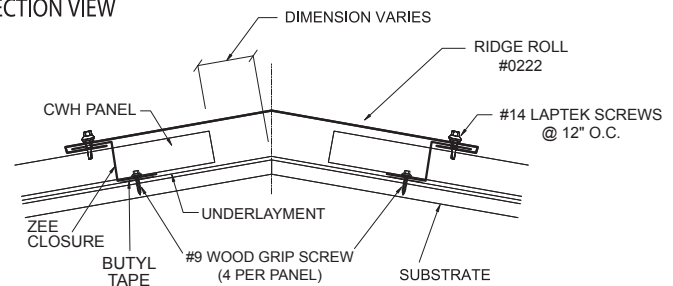
1. Lay a piece of the #0222 ridge roll or hip in position, making sure it is centered and in the correct position. (Refer to step #8 for end capping instructions)
2. Mark the ribs of your panels to show where the edge of your ridge will lie.
3. Field cut enough metal closures to complete the application for hips.
4. Install the Zee Closures so that the top leg sits inside of your ridge marks 1/8".
5. Attach ridge with laptek screws. Screws should go through hem of the ridge roll and into the metal closure. Care must be taken not to over-tighten the screws, as this will strip out the trim and closures. 12" max spacing is recommended, screws may be evenly spaced closer so as to have multiple lapteks in each ZEE.
6. Continue installing the closures the entire length of the ridge or hip.
7. All end laps should be at least 4". Remove 4" of the hem on each side of the overlapping piece and secure to the overlapped piece with caulk and stitch screws.
8. Cap the end of all ridge rolls and hips by cutting and folding ends. The hem must be removed before the folds are made. Capping is usually easier to do before the piece is installed. If done after installation, be sure and leave 6" of the ridge roll or hip overhanging the peak or corner to allow enough material for cuts and folds.
9. Before the ridge trim is installed, if the pitch of the roof is 4:12 or less, the end of the panel that is under the ridge or hip trim should be bent up between the high ribs to prevent moisture blow back.

NOTE: Alternate trim profiles are acceptable using the screw pattern shown.

22



SECTION VIEW

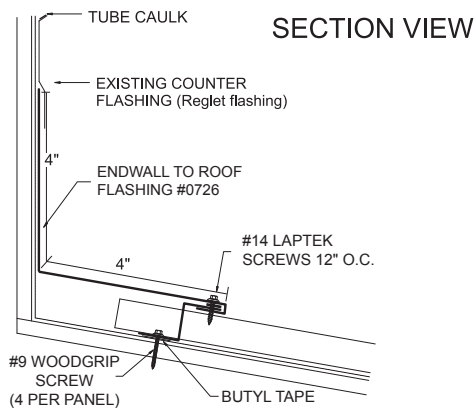


Note: To comply with Texas Windstorm Certification Testing, #12x11 SDT Type A screws must be used in place of the #9 Woodgrip screws.

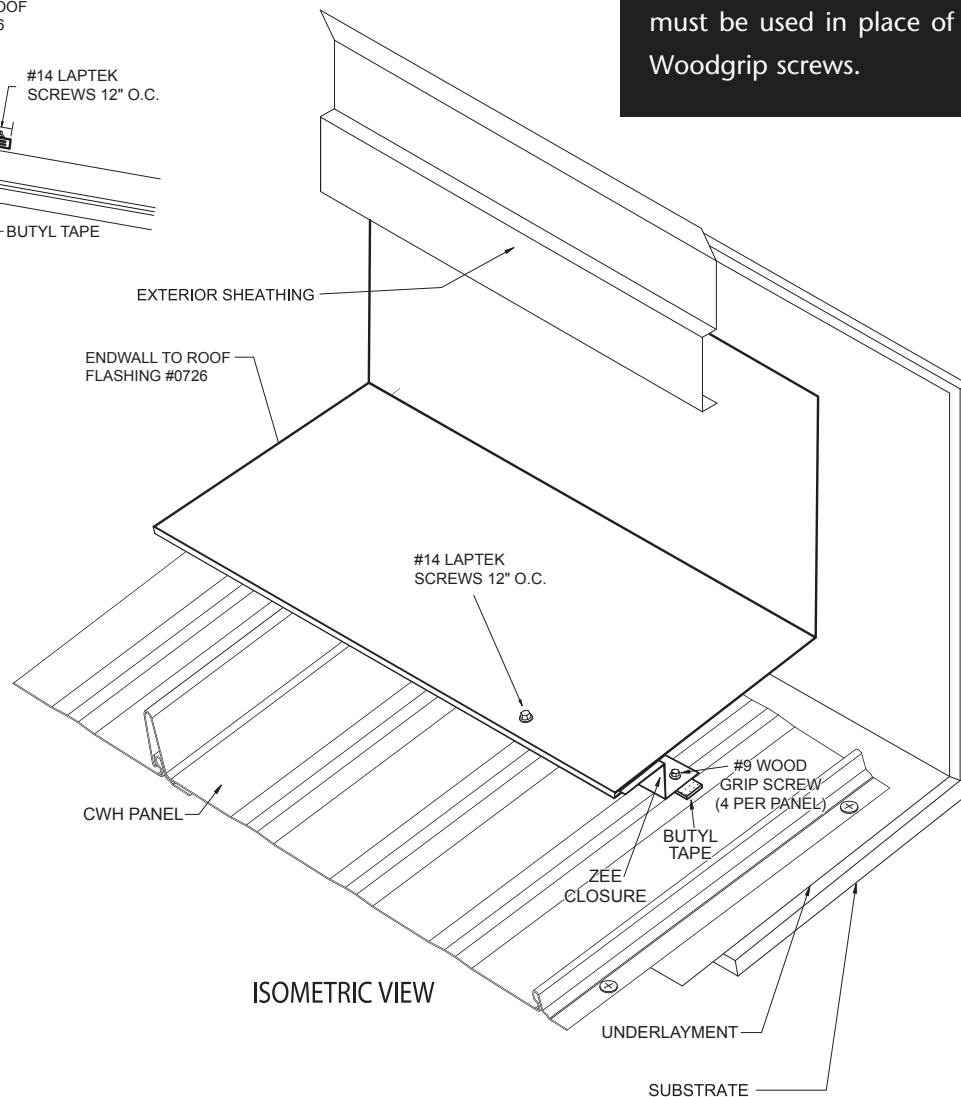
ENDWALL TO ROOF FLASHING INSTALLATION

1. Insert the endwall flashing (#0725) behind the existing wall counter-flashing and attach to the wall using appropriate fasteners. Make sure the receiver hem of the endwall flashing is resting on the top of the roof sheet rib. If required, cap the ends of the trim by cutting and folding a tab. Remove the hems before making the folds.
2. If there is no counter-flashing, install counter-flashing using appropriate fasteners.
3. Slide the 5/8" lip of the metal closure into the receiver hem of the endwall flashing and position the closure on the roof.
4. Attach with one woodgrip screw, centered between each rib, through the hem of the endwall flashing and metal closure, into the decking. Care must be taken not to over-tighten the screws as this will distort the trim and closure. The screw hole can be pre-drilled, if desired.
5. All end laps should be at least 4". Remove 4" of the hem on the overlapping piece and secure to the overlapped piece with caulk and stitch screws.

NOTE: Alternate trim profiles are acceptable using the screw pattern shown.



NOTE: To comply with Texas Windstorm Certification Testing, #12x11 SDT Type A screws must be used in place of the #9 Woodgrip screws.



Details are subject to change without prior notice.

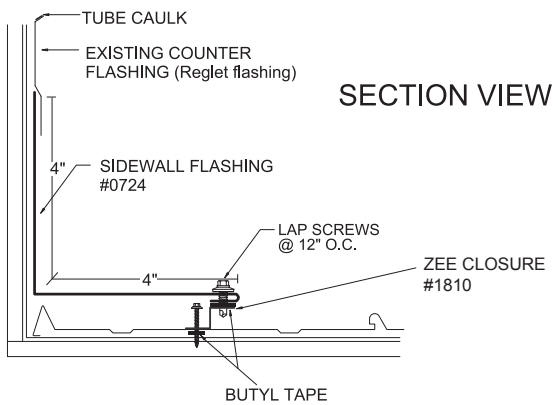
SIDEWALL FLASHING INSTALLATION



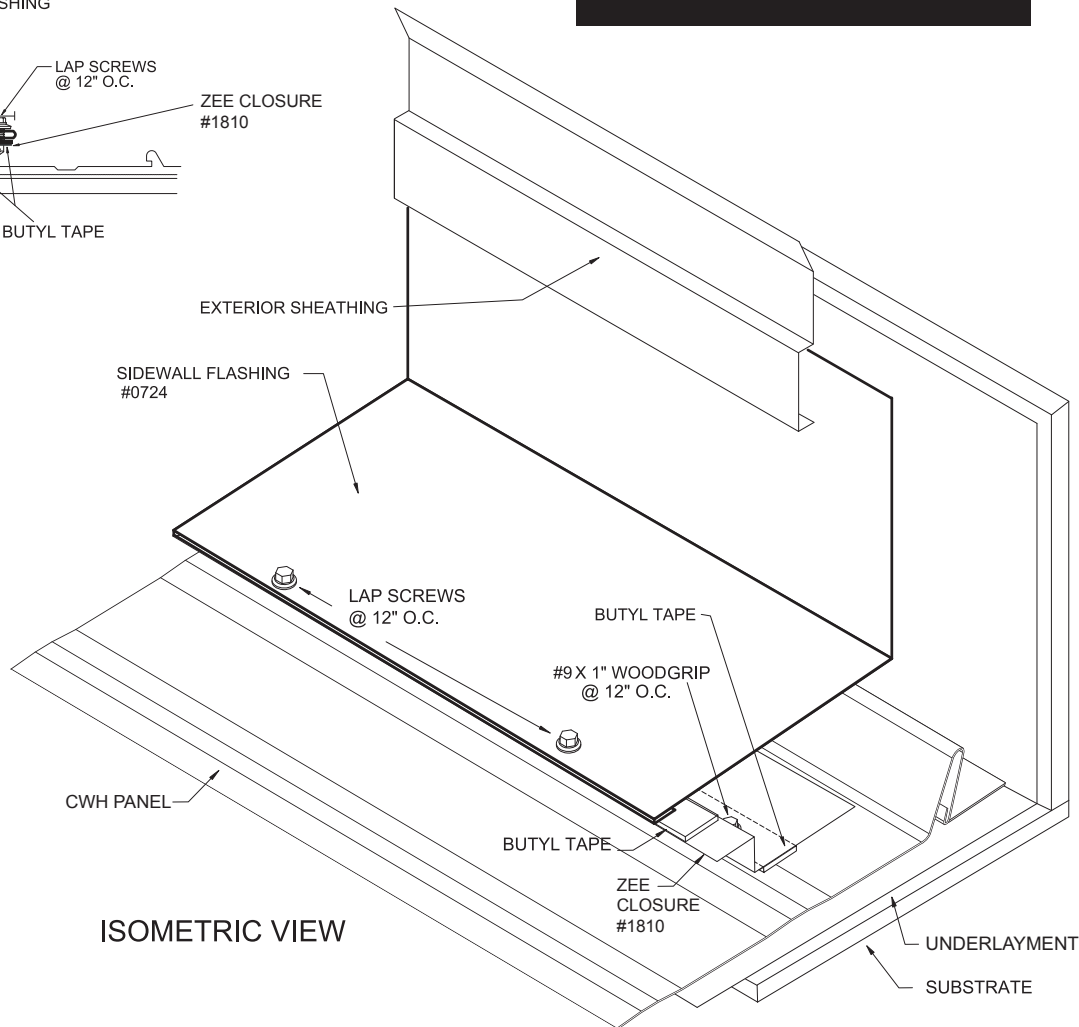
1. Apply mastic to the bottom side of Zee Closure.
2. Install the Zee Closure where it will sit 1/8" inside of the sidewall flashing.
3. Secure with woodgrip screws on 12" centers.
4. Insert the sidewall flashing behind existing counter-flashing and secure to the Zee closure with lap screws.
5. If there is no existing counter-flashing, install counter-flashing to wall with appropriate fasteners.

NOTE: Alternate trim profiles are acceptable using the screw pattern shown.

Note: To comply with Texas Windstorm Certification Testing, #12x11 SDT Type A screws must be used in place of the #9 Woodgrip screws.



SECTION VIEW



ISOMETRIC VIEW

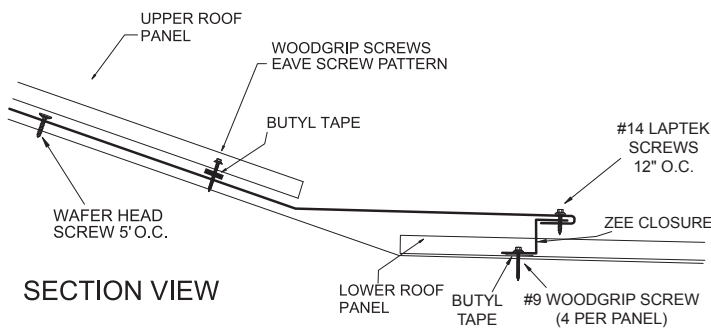


ROOF PITCH CHANGE INSTALLATION

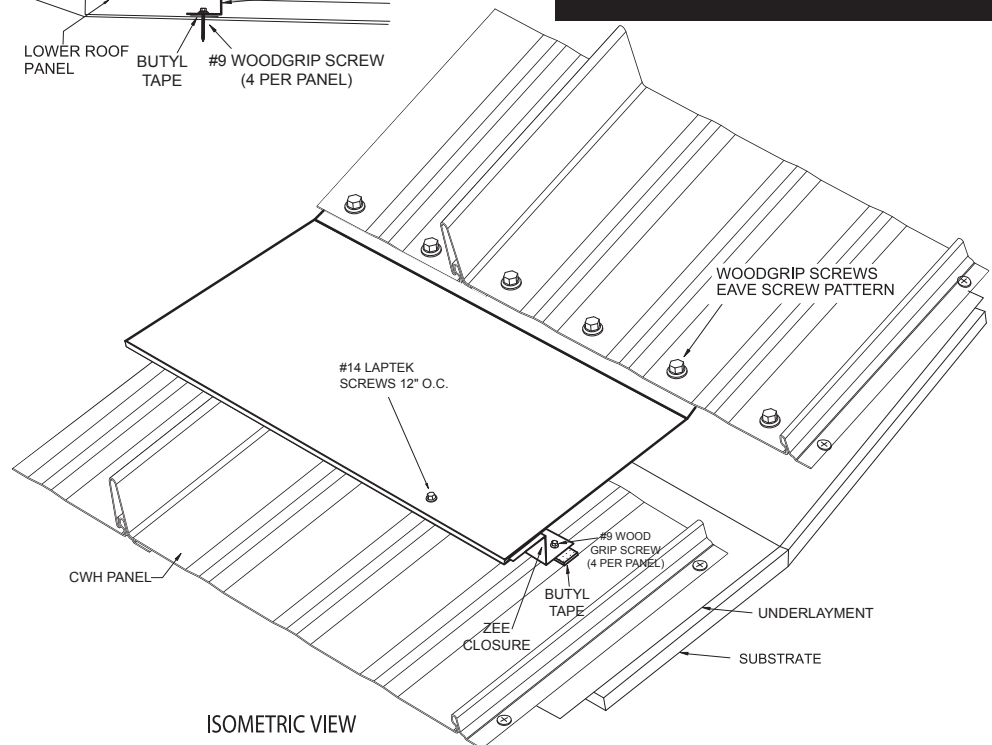
1. Apply lower panels.
2. Lay a piece of 1487 Transition in place ensuring bottom leg of trim stays on proper pitch.
3. Mark where bottom leg of trim ends.
4. Install Zee Closures so that the top leg sits inside of your mark 1/8".
5. Install the transition flashing (#1486) making sure the bottom portion of the flashing is at the same pitch as the lower panels. Attach to decking 1 1/2" from top of flashing with wafer head screws on 5' centers.
6. Attach using one laptek screw, centered between each rib, through the hem of the transition flashing and metal closure. Care must be taken not to over-tighten the screws as this will strip the trim and closure. The screw hole can be pre-drilled, if desired.
7. All end laps should be at least 4". Remove 4" of the hem on the overlapping piece and secure to the overlapped piece with caulk and stitch screws.
8. Cap the ends of the trim by cutting and folding a tab that attaches to the gable trim. The hem must be removed before a fold is made. Capping is usually easier to do before the trim is installed. If done after the trim is installed, be sure and leave 6" of the trim overhanging to allow enough material for the cut and folds.
9. Before applying the upper panels, place a row of butyl tape continuously along the trim at a point where the screws holding the lower end of the upper panel will go through the butyl tape. This is usually 4" uphill from the bottom of the upper sheet. Use eave screw pattern.

NOTE: Alternate trim profiles are acceptable using the screw pattern shown.

25



NOTE: To comply with Texas Windstorm Certification Testing, #12x11 SDT Type A screws must be used in place of the #9 Woodgrip screws.



Details are subject to change without prior notice.

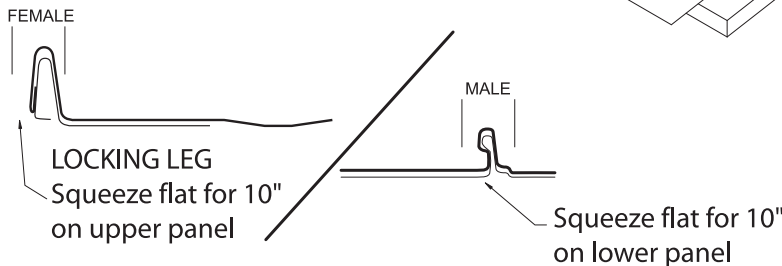
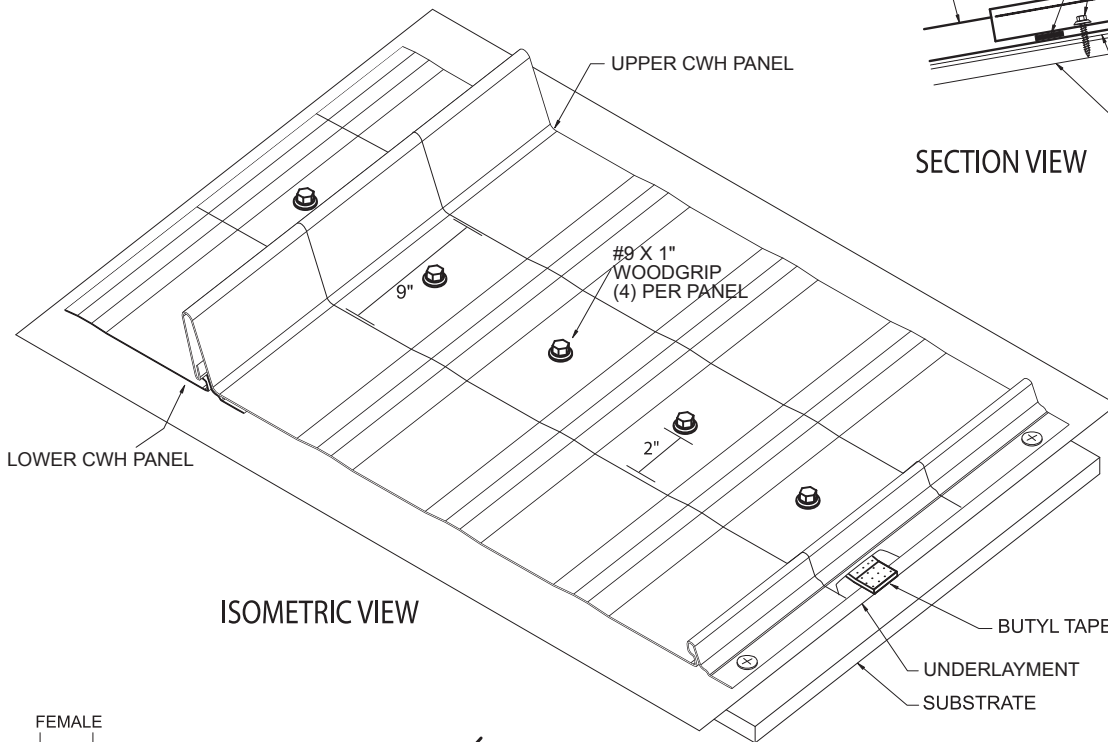
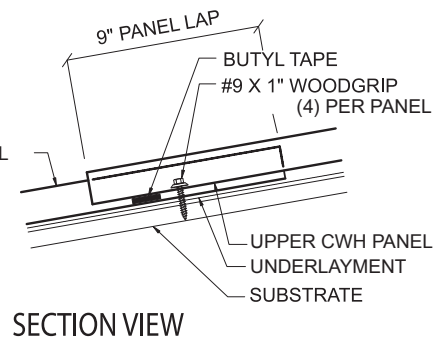
STANDARD PANEL ENDLAP



1. Ensure the lower panel is installed completely (except for the top fasteners).
2. Using duckbill pliers squeeze the top 10" of the male side of the lower panel flat to receive the 9" overlap of the upper panel.
3. Install the butyl tape 8" from the top of the lower panel. Do not remove the paper backing from the butyl tape until upper roof panel lap and the top dimension have been confirmed.
4. On the upper panel use duckbill pliers to squeeze the bottom 10" of the locking leg on the female side flat so it will lay flat when overlapping lower panel.
5. Remove paper backing from the butyl tape.
6. Position and place upper panel so that a 9" lap is achieved.
7. Attach the upper panel through the lower panel with woodgrip screws, (4) per panel making sure the screw line is 1" uphill from the butyl tape line.

NOTE: Alternate trim profiles are acceptable using the screw pattern shown.

NOTE: If a longer lap is desired increase all measurements accordingly.

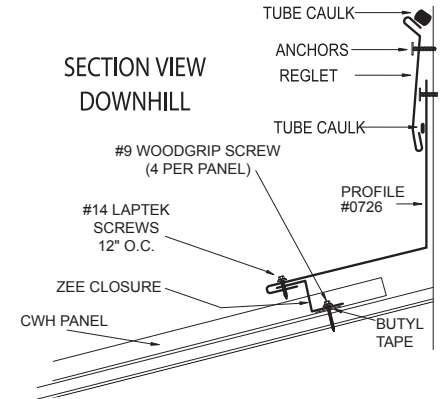
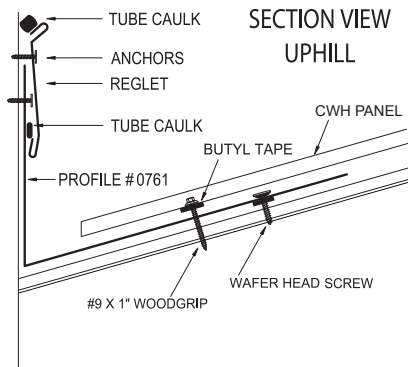
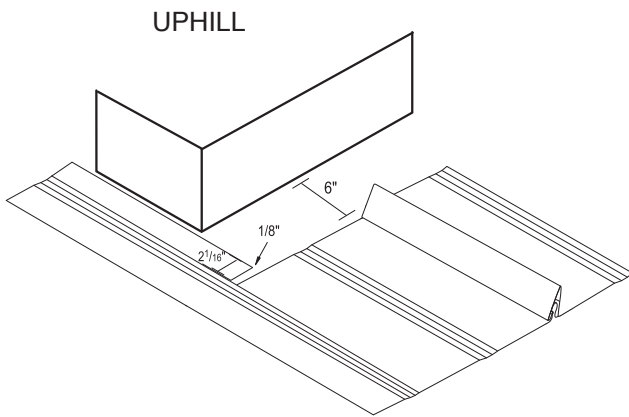


Note: To comply with Texas Windstorm Certification Testing, #12x11 SDT Type A screws must be used in place of the #9 Woodgrip screws.



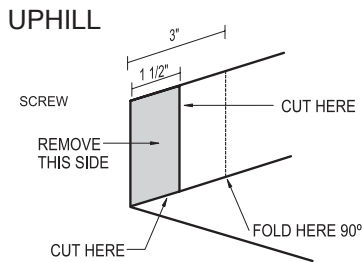
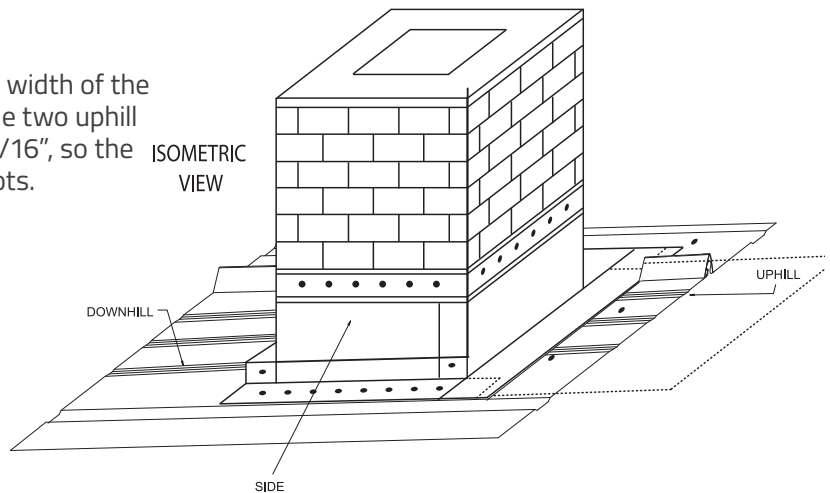
CHIMNEY INSTALLATION

CHIMNEY FLASHING - UPHILL AND DOWNHILL

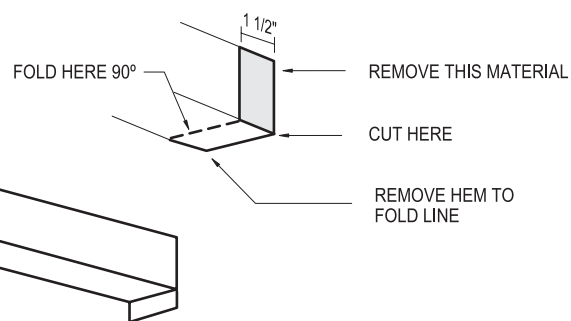


The uphill flashing will be 4" wider than the width of the curb (2" on each side). Cut an 1/8" slot in the two uphill corners of the panel slightly wider than 2 1/16", so the uphill flashing can slide through the two slots.

ISOMETRIC VIEW

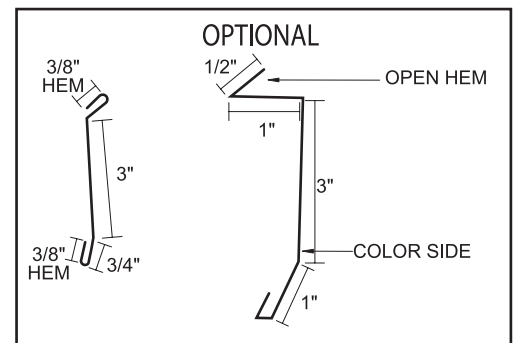


DOWNHILL



1. Trim both ends of the uphill and downhill sides of the flashing as indicated.
2. Slide the uphill flashing into the slots of the roofing and apply liberal amount of tube caulk.

NOTE: Alternate trim profiles are acceptable using the screw pattern shown.



Note: To comply with Texas Windstorm Certification Testing, #12x11 SDT Type A screws must be used in place of the #9 Woodgrip screws.

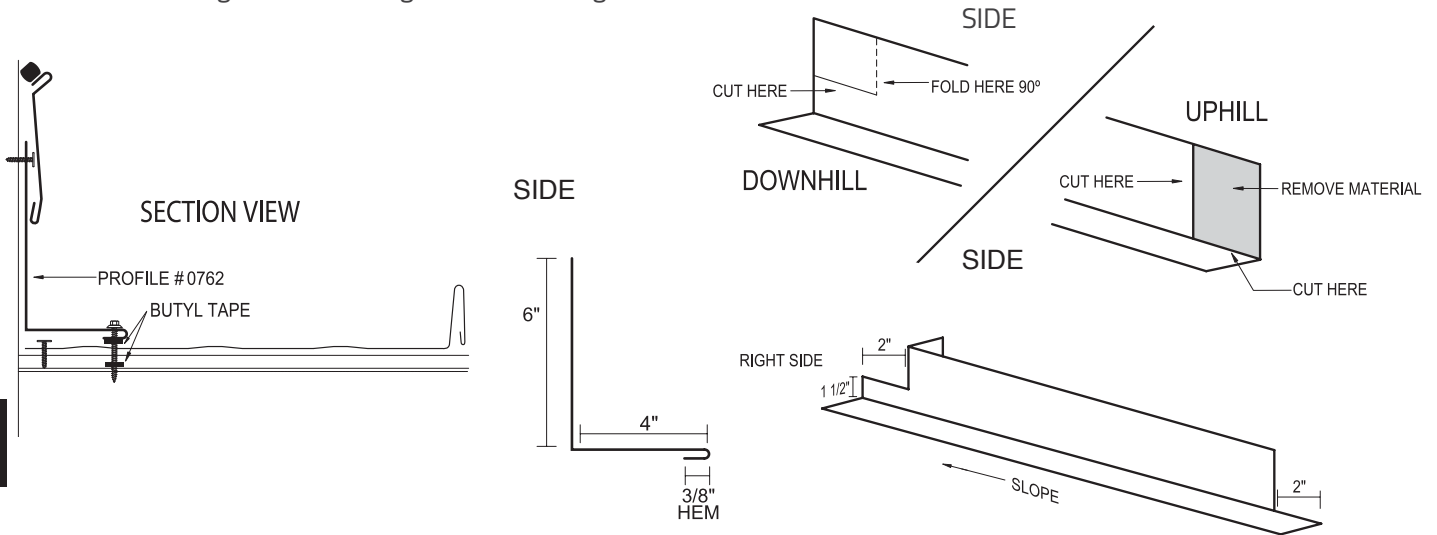
CHIMNEY INSTALLATION

CHIMNEY FLASHING - SIDE

1. Trim and bend the right side flashing as indicated.
2. Trim the left side in a similar fashion.

NOTE: Alternate trim profiles are acceptable using the screw pattern shown.

NOTE: The left and right side flashing are mirror images of each other.



28

FLASHING - VENT

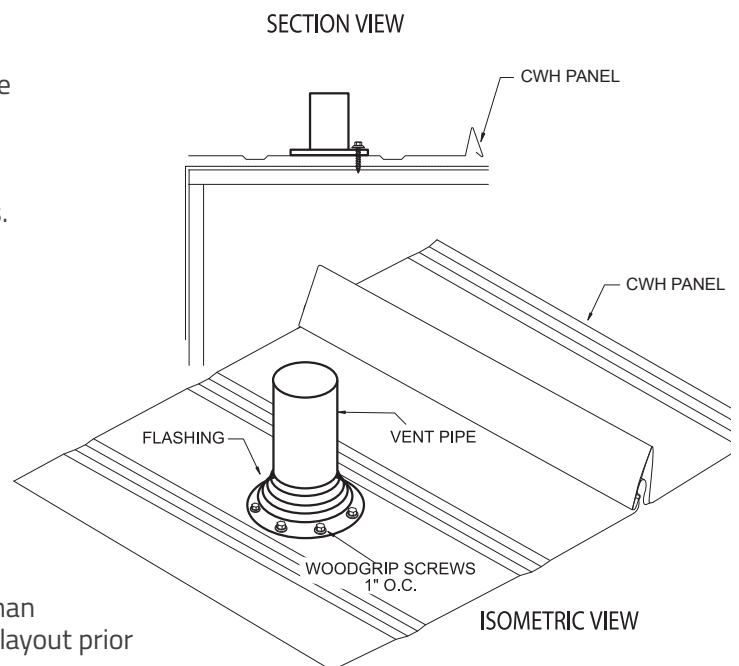
Procedures:

1. Trim the opening in the flashing to 20% smaller than the pipe diameter.
2. Slide the flashing down over the pipe.
3. Seal between the flashing and the roofing with tube caulk and set the flashing.
4. Form the flashing to fit the profile of the roof.
5. Fasten the flashing with woodgrip screws 1" on centers.

NOTE: Alternate trim profiles are acceptable using the screw pattern shown.

FOR PENETRATION THROUGH THE SIDELAP: When a penetration occurs through or near the panel sidelap, install tube caulk filling the female overlap to 12" above the penetration and snap lock groove to 6" above to prevent water from running downhill into the opening.

Note: In many cases it may be easier to locate vent/pipe flashing in the flat area of the roof panel (as shown) rather than have the penetration occur at a panel rib. Determining panel layout prior to installation often simplifies penetration flashing installation.



Details are subject to change without prior notice.

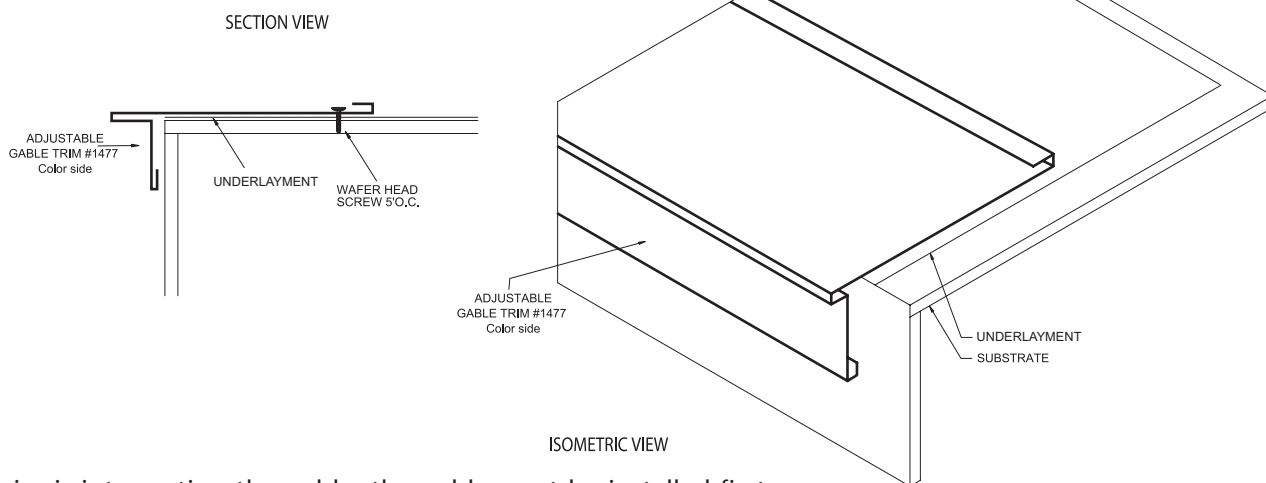
CWH ALTERNATE TRIM APPLICATION

CWH RAKE DETAILS



1. Starting at the corner, install the adjustable gable trim along the sloping gable, placing it on top of the underlayment.
2. Attach with wafer head screws 5' on centers (adjustable strip applied after valley trim).
3. Slide gable trim over eave trim at corner.
4. At the peak, one gable trim should be cut vertical to the ground and overlap at the junction of the two gable trims.

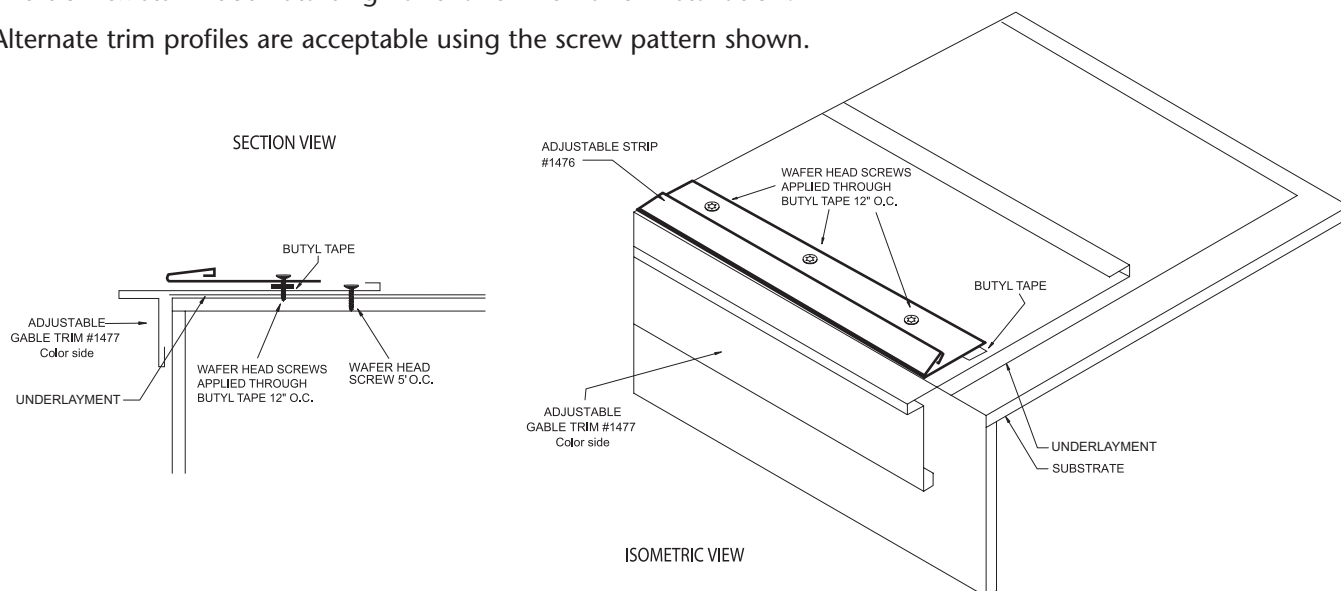
NOTE: Alternate trim profiles are acceptable using the screw pattern shown.



30

1. If valley trim is intersecting the gable, the gable must be installed first.
2. Pre-drill 1/8" holes on 12" centers along the length of adjustable gable strip #1476.
3. Butyl tape should be applied to the bottom of the strip covering pre-drilled holes. Place the strip the desired distance from the outside edge of the gable trim (optimal distance 2"), making sure it is aligned parallel to the gable, perpendicular to the eave line and between the open hem at the edge of the adjustable gable trim and the outside of the trim.
4. The adjustable strip is attached to the roof with wafer head screws on 12" centers from eave to ridge using pre-drilled holes, making sure the screws are applied through the butyl tape. This condition exists in both Starting Panel and End Panel Installation.

NOTE: Alternate trim profiles are acceptable using the screw pattern shown.



Details are subject to change without prior notice.

RESIDENTIAL RAKE DETAILS STARTING AND ENDING PANEL INSTALLATION

Starting Panel

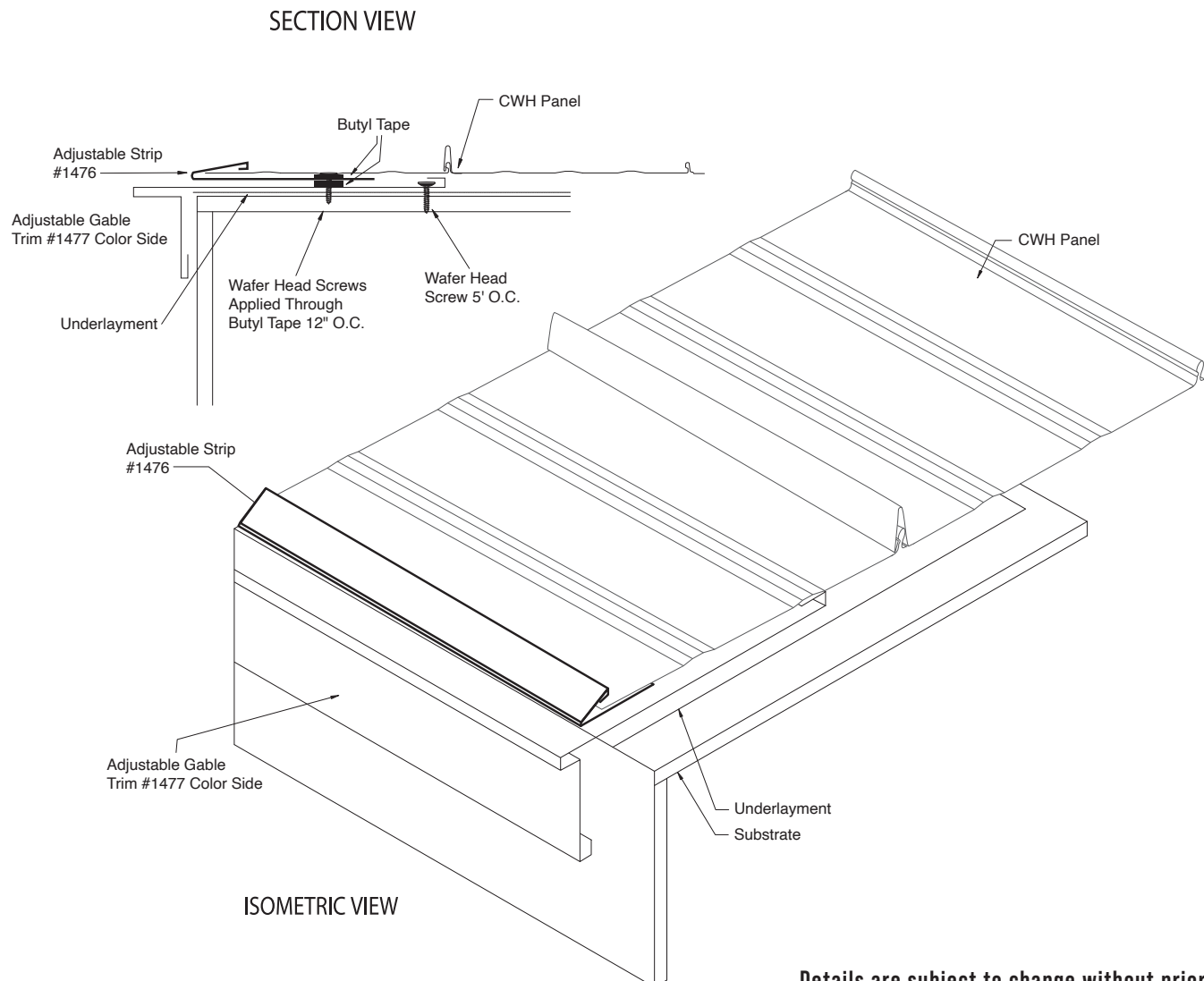
1. Apply adjustable strip as previously instructed.
2. Remove the overlap rib of the panel, making a straight cut the length of the panel.
3. Apply butyl tape continuously down the length of the adjustable strip, covering the wafer head screws.
4. Insert the cut edge of the panel into the strip, making sure the panel is seated fully into the strip.
5. Attach the standing seam clips on the required centers.

NOTE: Alternate trim profiles are acceptable using the screw pattern shown.

Ending Panel

1. Remove the underlap rib of the panel at a point that is inside the adjustment portion of the gable trim, making a straight cut the length of the panel (optimal 2" from gable edge).
2. Apply adjustable strip as previously instructed.
3. Test apply the panel to assure proper fit.
4. Apply butyl tape and insert last panel into strip, making appropriate panel lap.

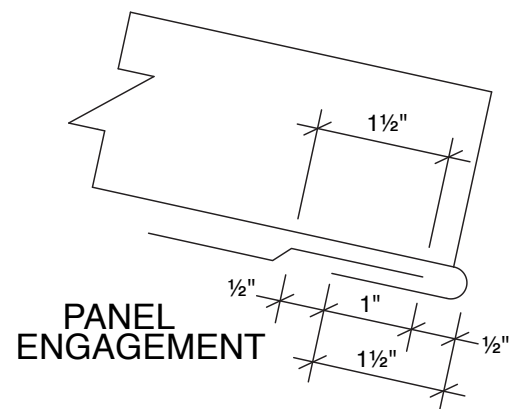
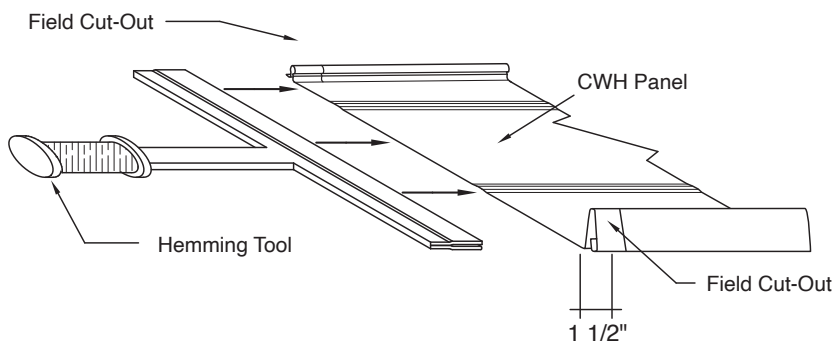
NOTE: Alternate trim profiles are acceptable using the screw pattern shown.



DESIGN & FIELD HEMMING

1. When field hemming the panel, first remove 1 1/2" from both male and female ribs. If hemming for a valley, first cut your panel to the proper angle before cutting ribs.
2. Using a hemming tool, fold the pan of the panel under creating a "hook" to receive trim. Care should be taken to not damage or crease the panel.
3. Install panel, following applicable trim/edge detail.
4. Following panel installation, close hem.

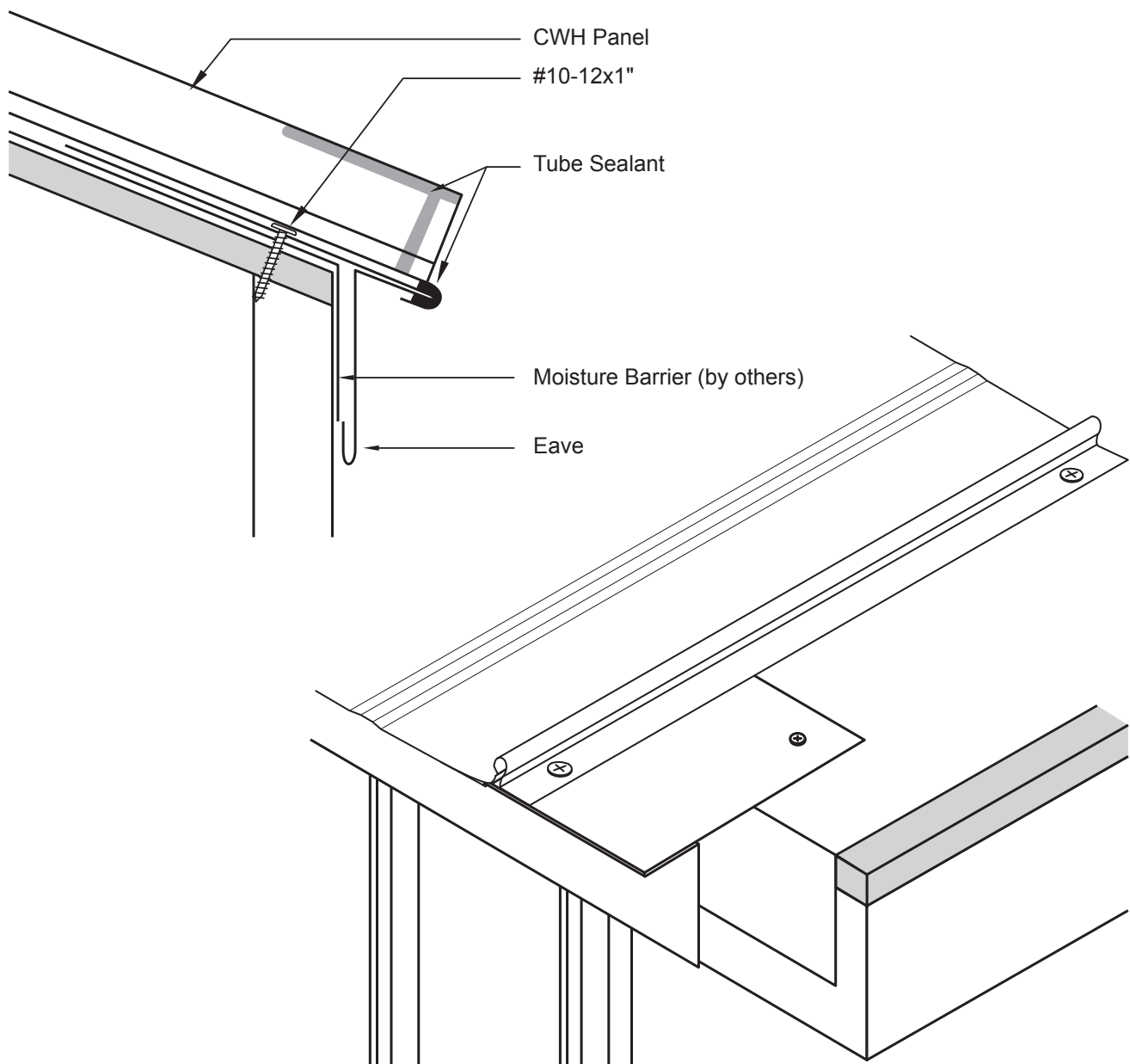
NOTE: Alternate hemming details may be acceptable.



RESIDENTIAL EAVE | WOOD DECK

1. Install the eave trim by sliding it underneath the underlayment and securing it to the roof surface with wafer head screws on 12" centers.
2. There are no screws or nails to be placed in the exposed fascia of the trim.
3. At the corners, cut the eave trim 1 1/2" long and prepare the ends with tabs to receive the gable trim.
4. Hem panel ends. Install over eave trim using tube sealant as shown.

NOTE: Alternate trim profiles are acceptable using the screw pattern shown.

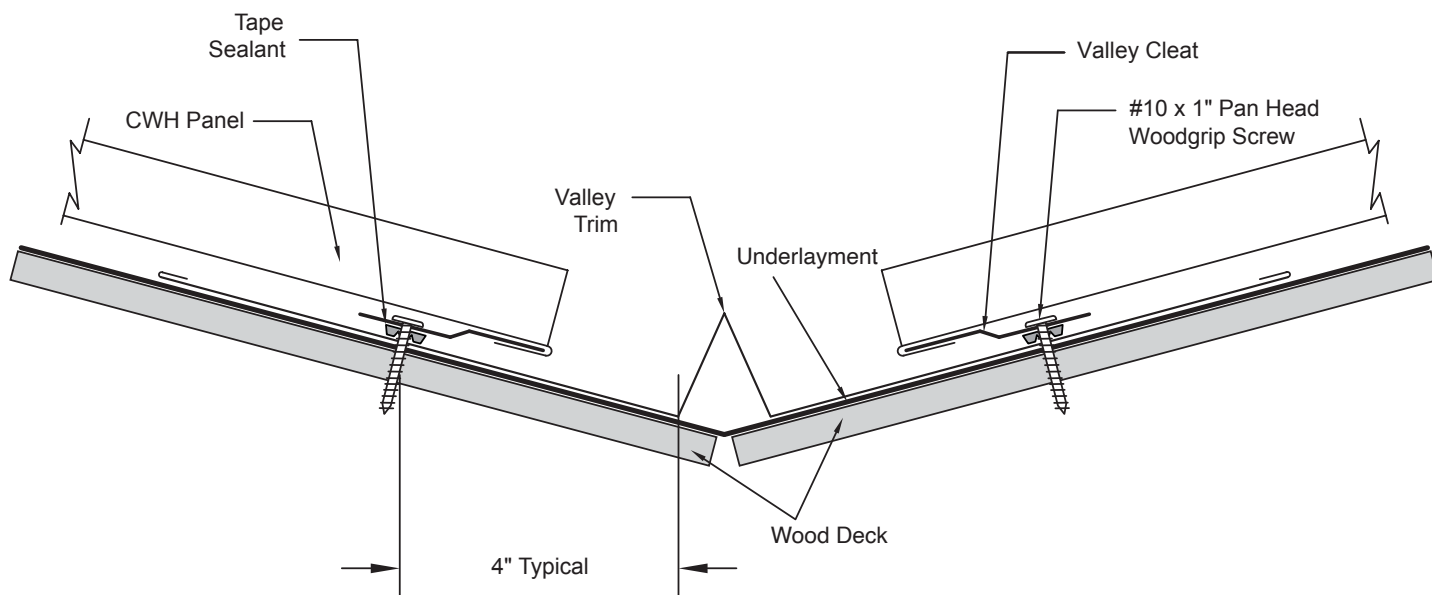


FLOATING VALLEY | WOOD DECK

Installation Steps: (use only with fixed Ridge/Hips)

1. Install Valley Trim over the Valley from the bottom up. Secure with #10 x 1 woodgrip pan head screws (5' centers).
2. Install butyl tape sealant 4" to 5" from center of the valley trim.
3. Install valley cleat over the butyl tape sealant using #10 x 1 woodgrip pan head screws on 12" centers.
4. Field cut and hem panel ends. Install over edge plate as shown.
5. Seal the ends of the panel legs using tube sealant.

34

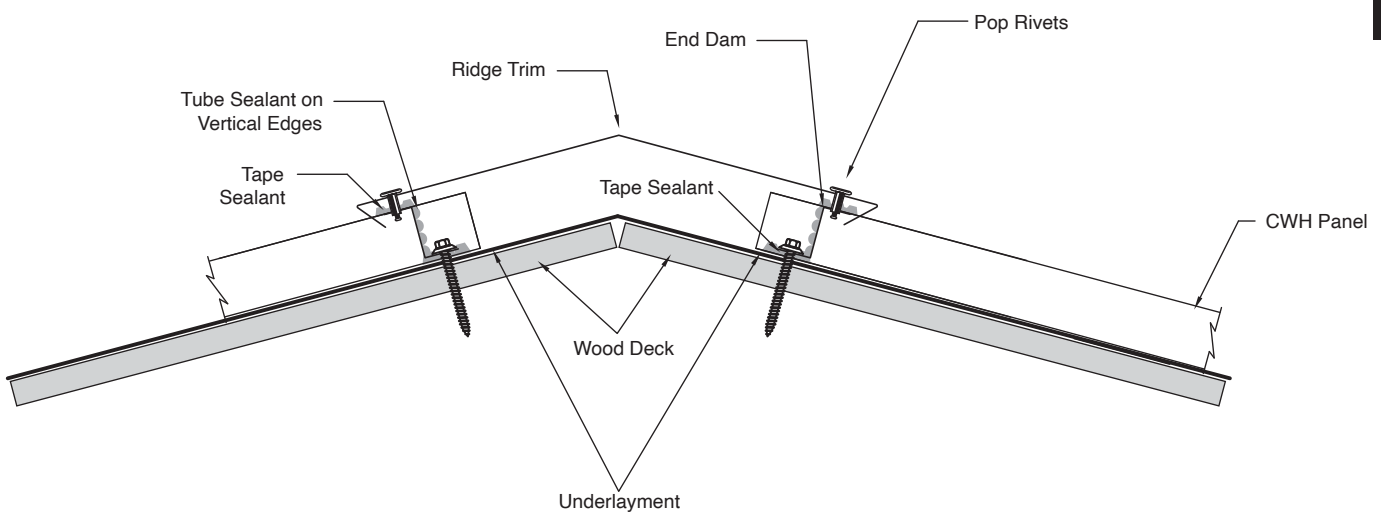


Details are subject to change without prior notice.

FIXED RIDGE & HIP | WOOD DECK

Installation Steps: (use only with floating eave and valley)

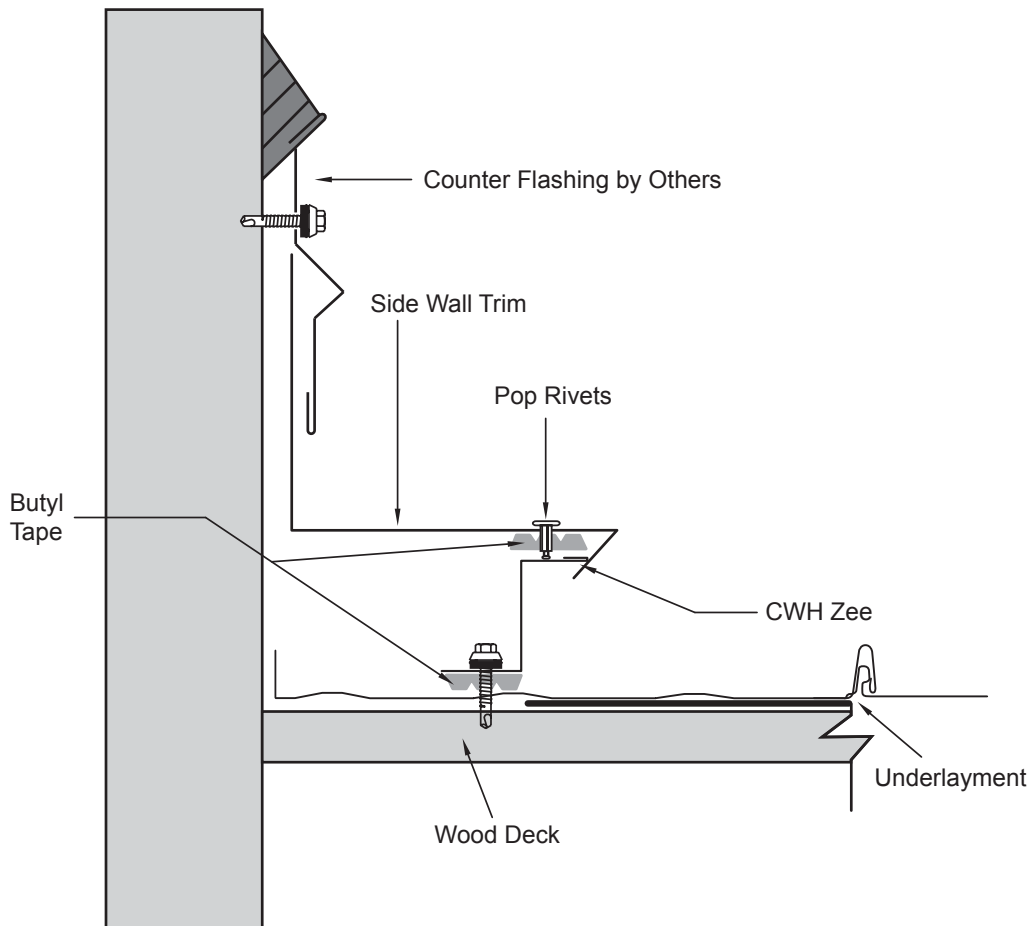
1. Install the butyl tape sealer across the panel, aligned to accommodate ridge trim and end dam.
2. Fasten end dam through butyl tape sealant and panel to deck using wood grip screws (4 per panel).
3. Use tube sealant on the ends of the end dam.
4. Apply butyl tape sealant to the top of the end dam.
5. Fasten Ridge trim to end dam using pop rivets (minimum 12" on center).



SIDE WALL / PARAPET DETAILS | WOOD DECK

Installation steps:

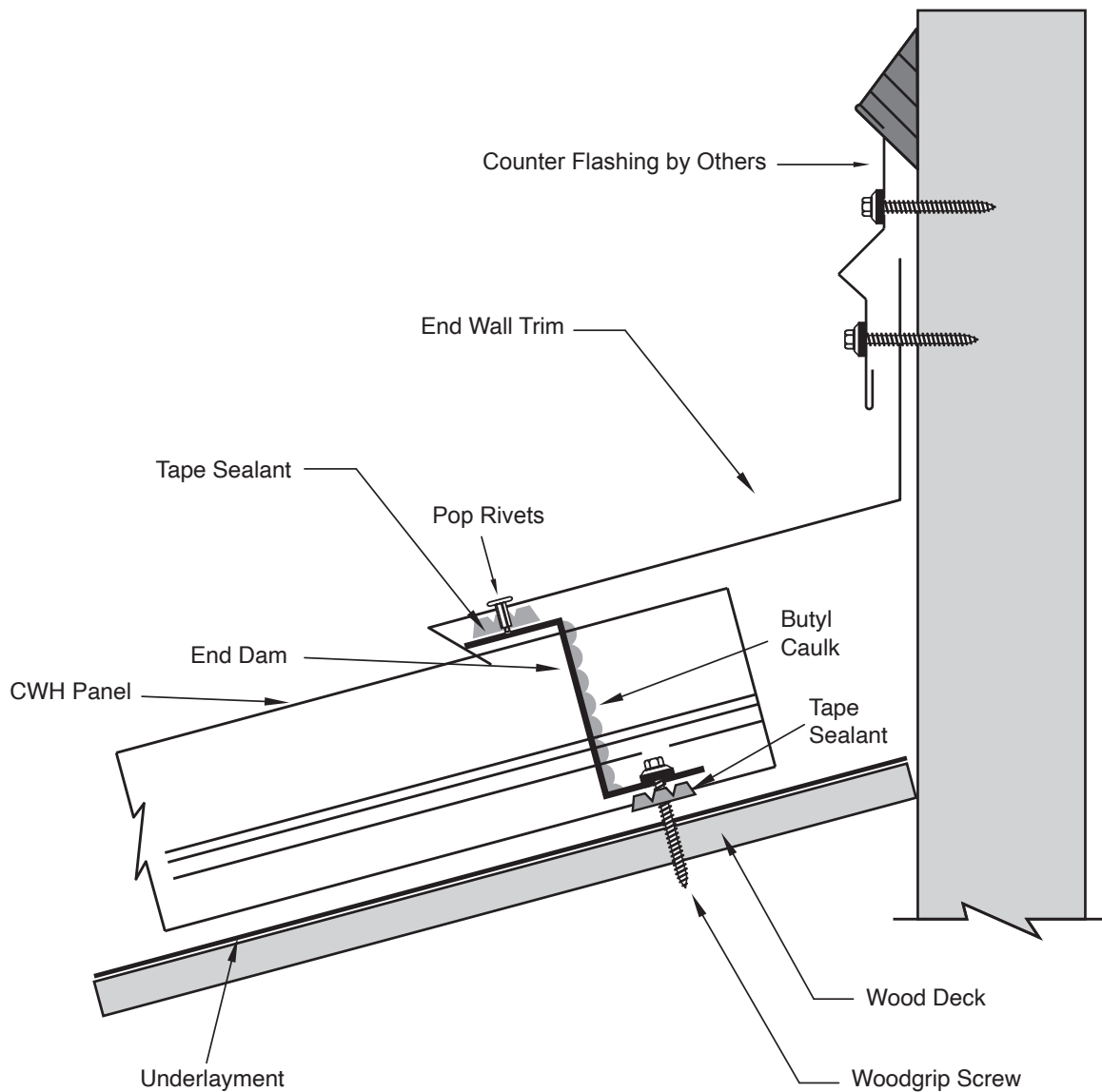
1. To begin starting panel install panel leaving leg intact
2. Install CWH Zee as pictured using Butyl sealant and secure using screws through the bottom leg of zee panel and into the decking.
3. Apply butyl to the top of the Zee and install side wall trim as shown with pop rivets on 12" centers.
4. Attach the appropriate counter flashing as required by the application. This is supplied by others.
5. For last panel run, field cut the panel if necessary to form a 1" up turned leg that will position against the wall when installed. Then complete the trim using the above steps.



FIXED END WALL / PARAPET DETAILS | WOOD DECK

Installation Steps: (use only with floating eave)

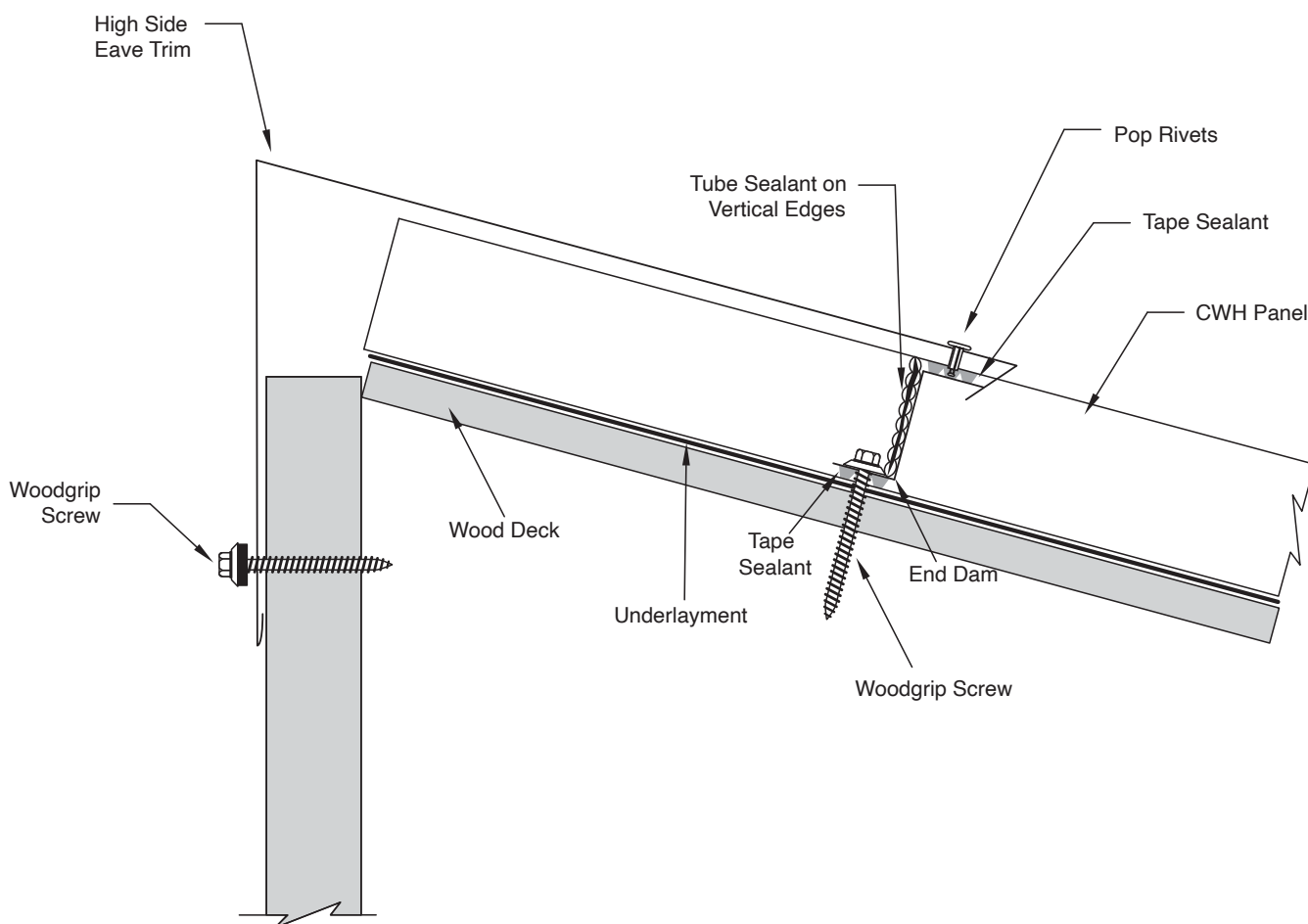
1. To accommodate the placement of the End Wall trim and end dam, apply the butyl tape sealant across the pan of the panel.
2. Install the end dam using 4 woodgrip screws through the panel and end dam as shown.
3. Use butyl caulk to seal the ends of the end dam.
4. Apply butyl tape sealant to the top of the end dam.
5. Fasten End Wall trim to end dam using pop rivets on 12" centers.



FIXED HIGH SIDE EAVE | WOOD DECK

Installation Steps: (use only with floating eave)

1. Apply butyl tape sealant to the panel, to accommodate the high side eave trim and end dam.
2. Apply end dam and attach using 4 woodgrip screws through the end dam, butyl sealant and panel.
3. Seal the end dam sides with tube sealant.
4. Apply butyl tape sealant to the top of the end dam.
5. Attach High side eave trim to the end dam using pop rivets as shown.

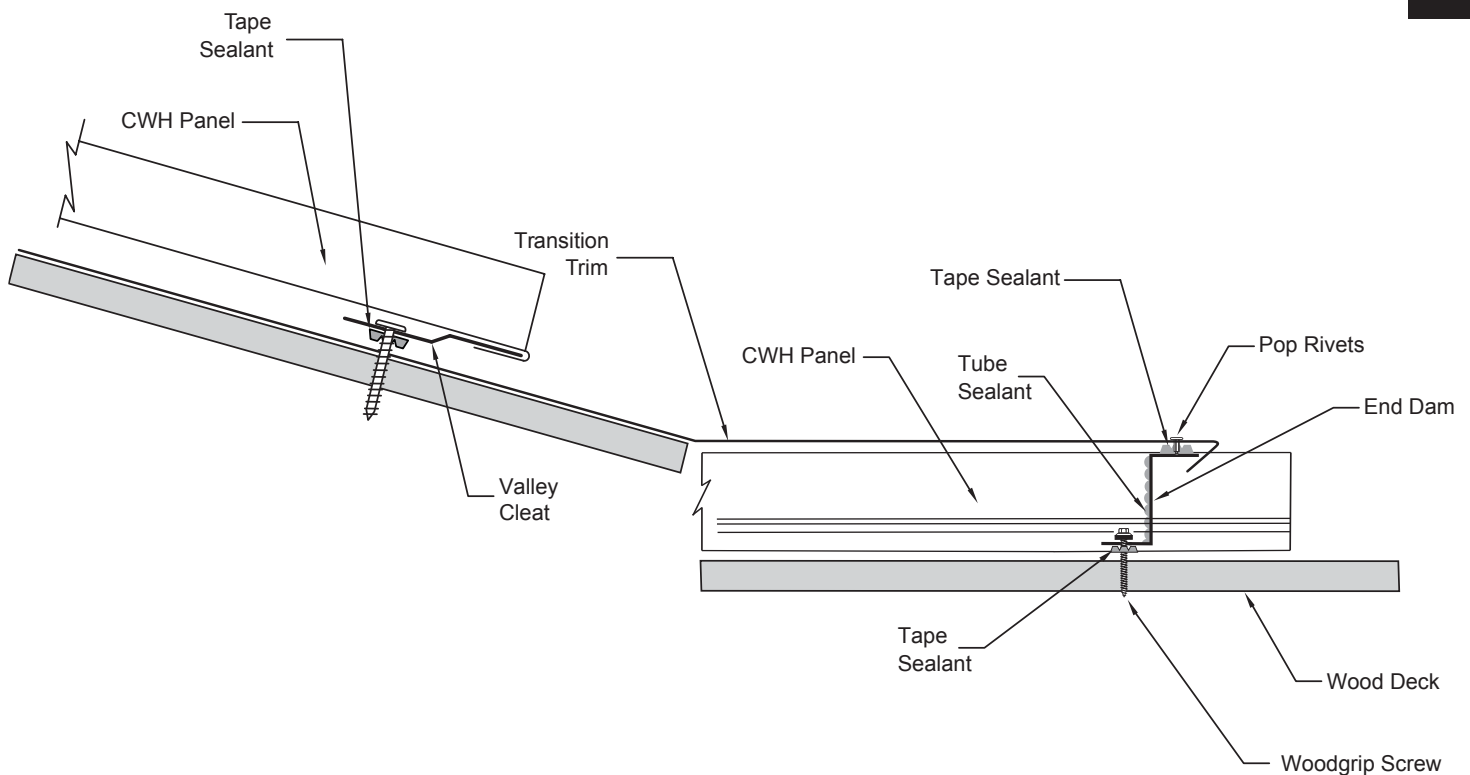


38

ROOF PITCH CHANGE INSTALLATION

1. Apply lower panels.
2. Apply butyl tape sealant to lower panel to accommodate the end dam and transition flashing.
3. Apply end dam and attach using (4) woodgrip screws and seal end dam sides with tube sealant.
4. Apply butyl tape to top of end dam.
5. Attach lower transition flashing to top of end dams using pop rivets, making sure to maintain roof pitch on the lower flashing.
6. Place a row of butyl tape at a point that will accommodate the upper valley cleat.
7. Hem and install the appropriate upper panels.

NOTE: Alternate trim profiles are acceptable using the screw pattern shown.





IronClad Guarantee



FIND OUT MORE ABOUT MUELLER, INC.

Call

877-2-MUELLER (877-268-3553)

This toll-free number connects you to one of our sales locations across the Southwest.

Click

www.MuellerInc.com

Our interactive website offers photos and all the details of our metal products.

Come by

Our branches are staffed with experts who are always happy to answer any questions you may have.

Find us

On Facebook, check out our latest news and events.



Mueller's #1, 24 gauge, CWH Panels have received the Underwriter's Laboratory UL2218 Approved Class 4 Premium Rating