

12x18 Greenhouse Kit Instructions

Mueller Greenhouse Kit Buildings are not engineered structures and do not meet any specific building code criteria.
For video installation instructions, visit our website at www.muellerinc.com/downloads-home/videos-home

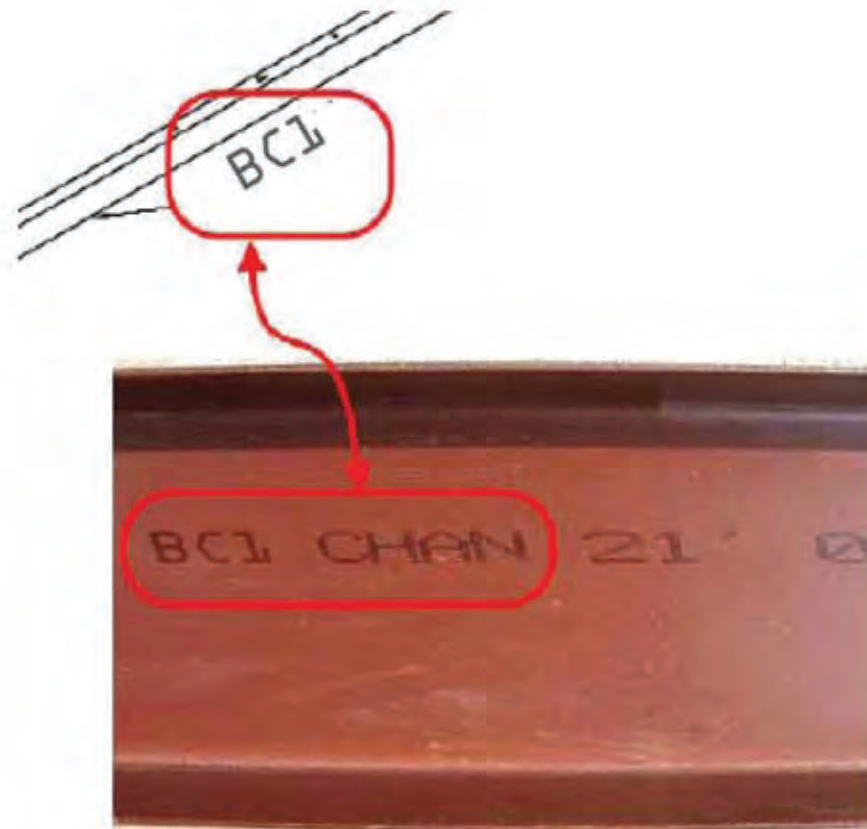
877-2- MUELLER • www.muellerinc.com



PARTS LIST

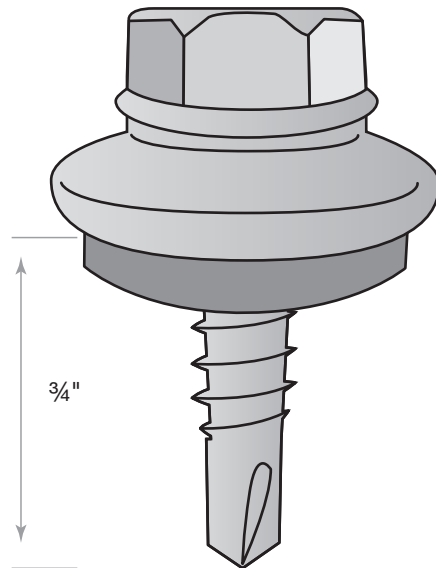
Refer to the parts list on the itemized invoice delivered with your building.

All parts are stenciled on the inside of the channel, purlin, girts and rafters. Example of this below:

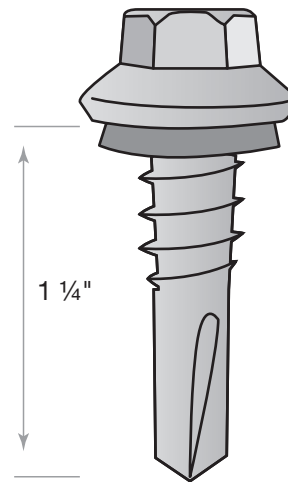


TYPES OF SCREWS

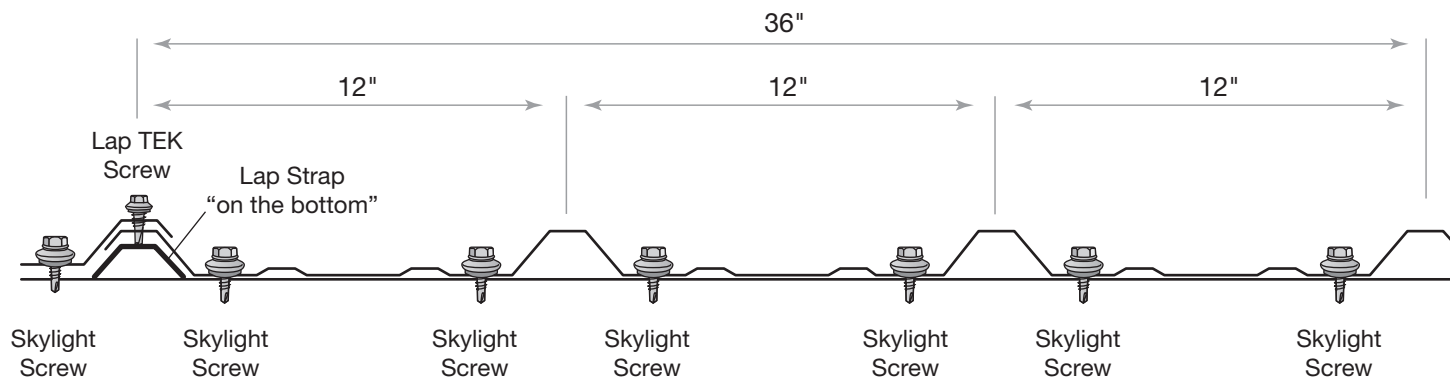
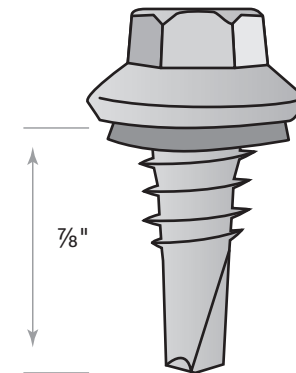
Skylight Screw
"Large Head"



TEK Screw
For attaching sheet metal to purlin

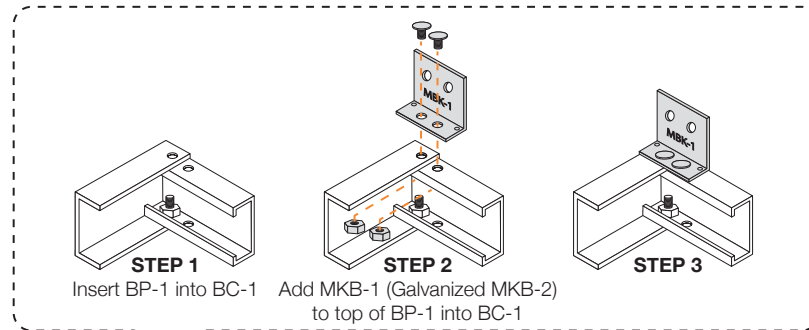


Lap TEK Screw
For attaching sheet metal to sheet metal

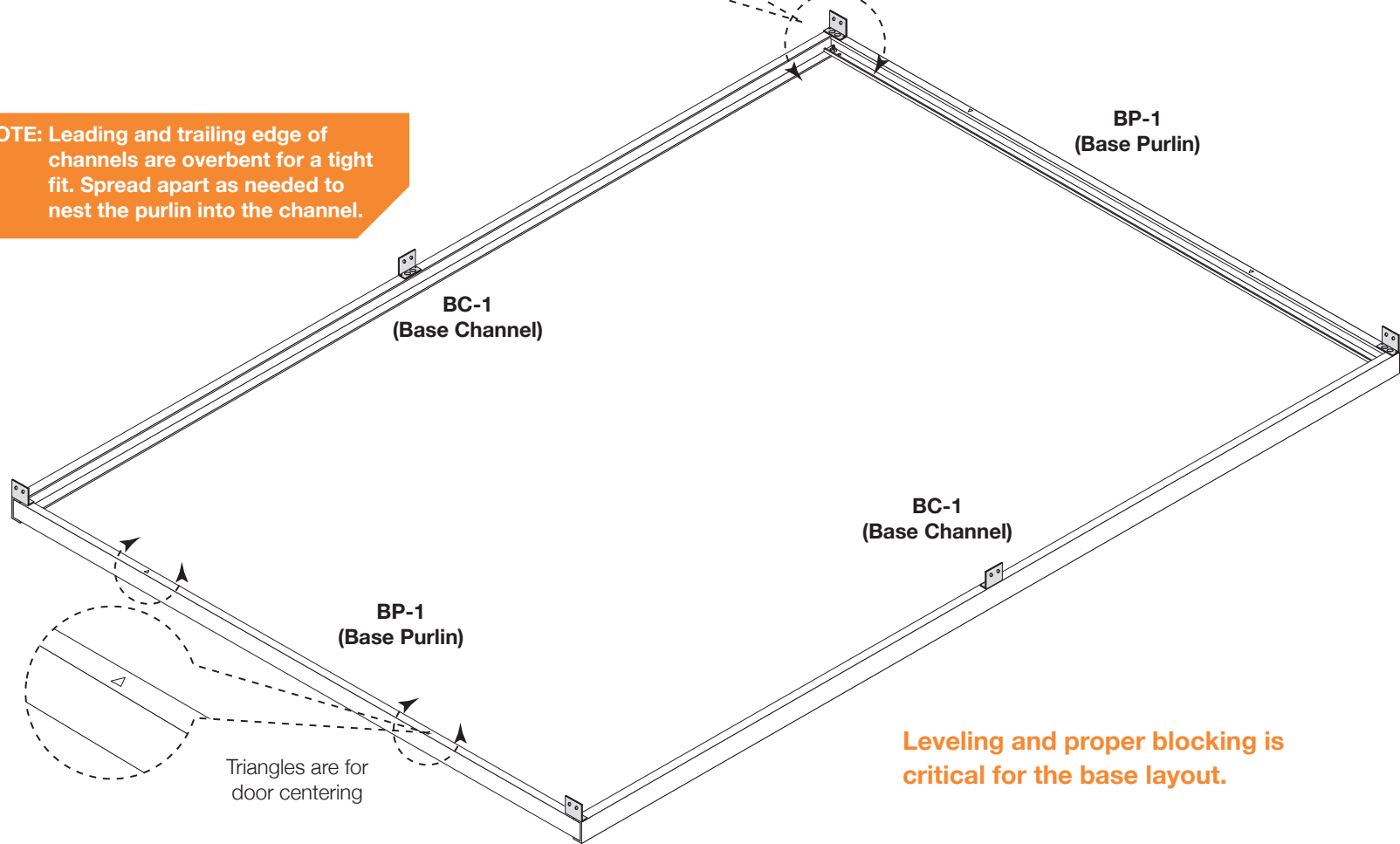


NOTE: Make sure to use TEK screws to attach sheets to purlins, lap TEK screws to attach sheets to sheets.

BASE LAYOUT (BC-1 AND BP-1)



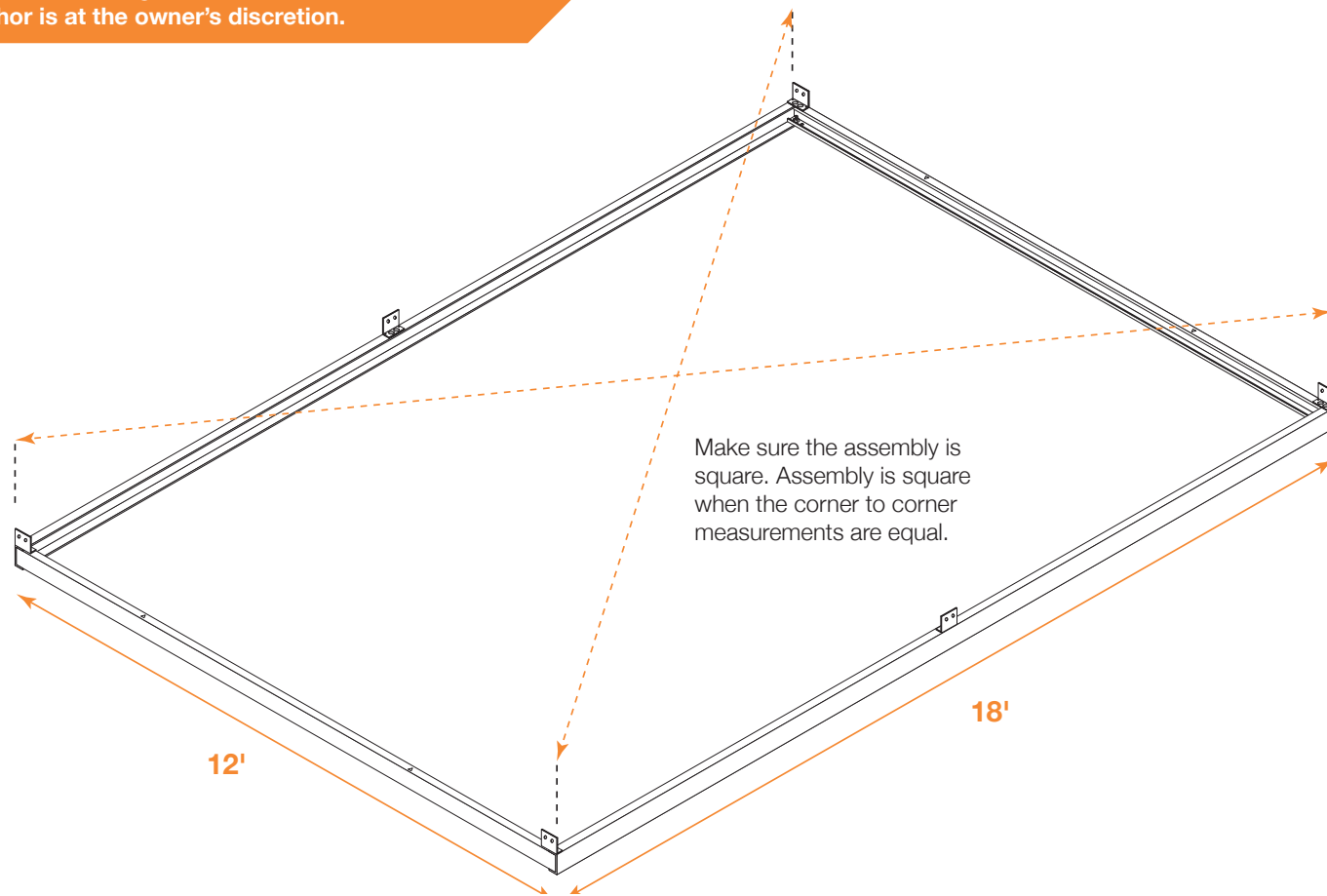
NOTE: Leading and trailing edge of channels are overbent for a tight fit. Spread apart as needed to nest the purlin into the channel.



Leveling and proper blocking is critical for the base layout.

MAKE SURE THE ASSEMBLY IS SQUARE

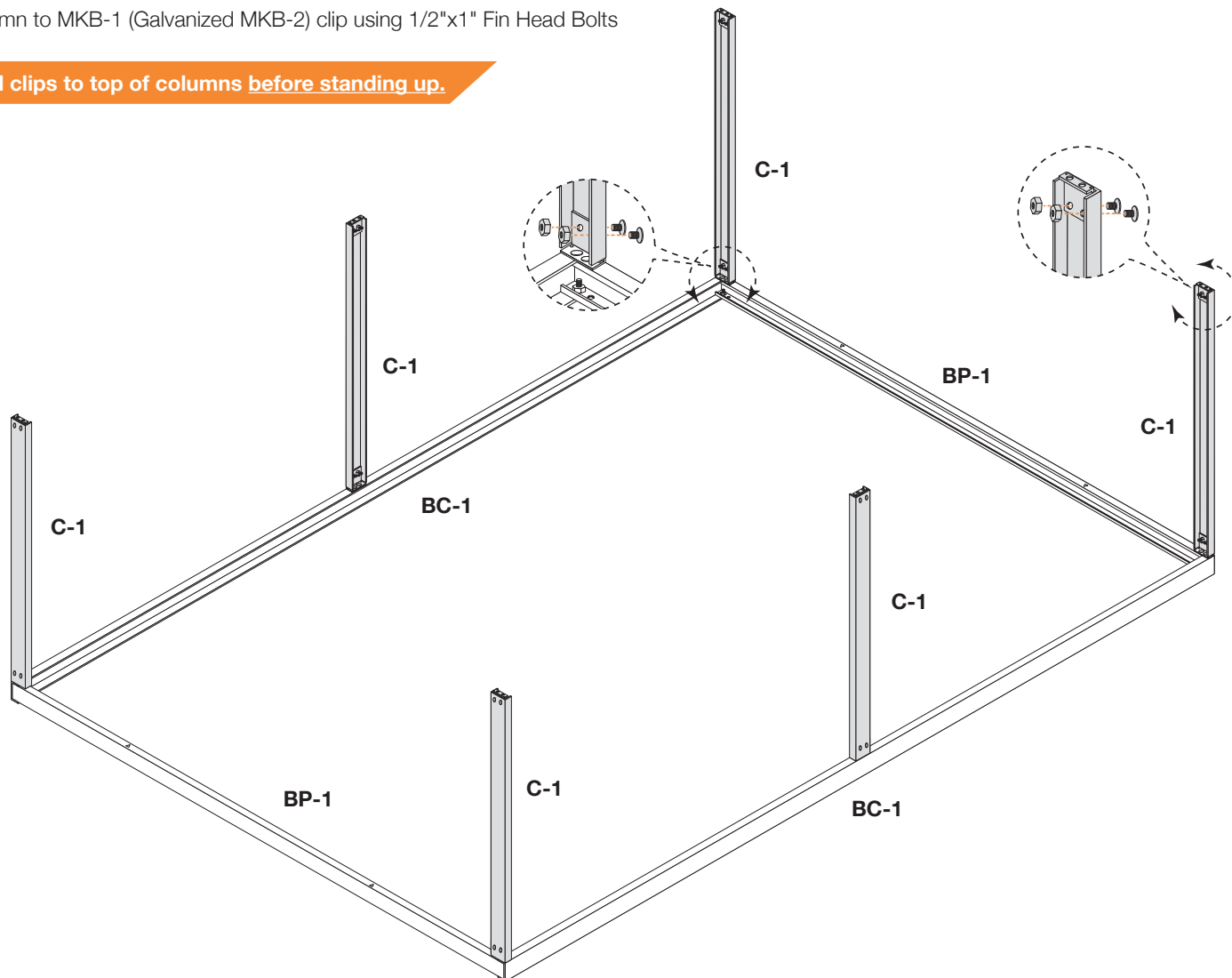
NOTE: Mueller recommends the building be placed on leveling blocks (not included) to support the base channel and purlins. Mueller also recommends the building be anchored to the ground or foundation. The method of anchor is at the owner's discretion.



ERECTING COLUMNS (C-1)

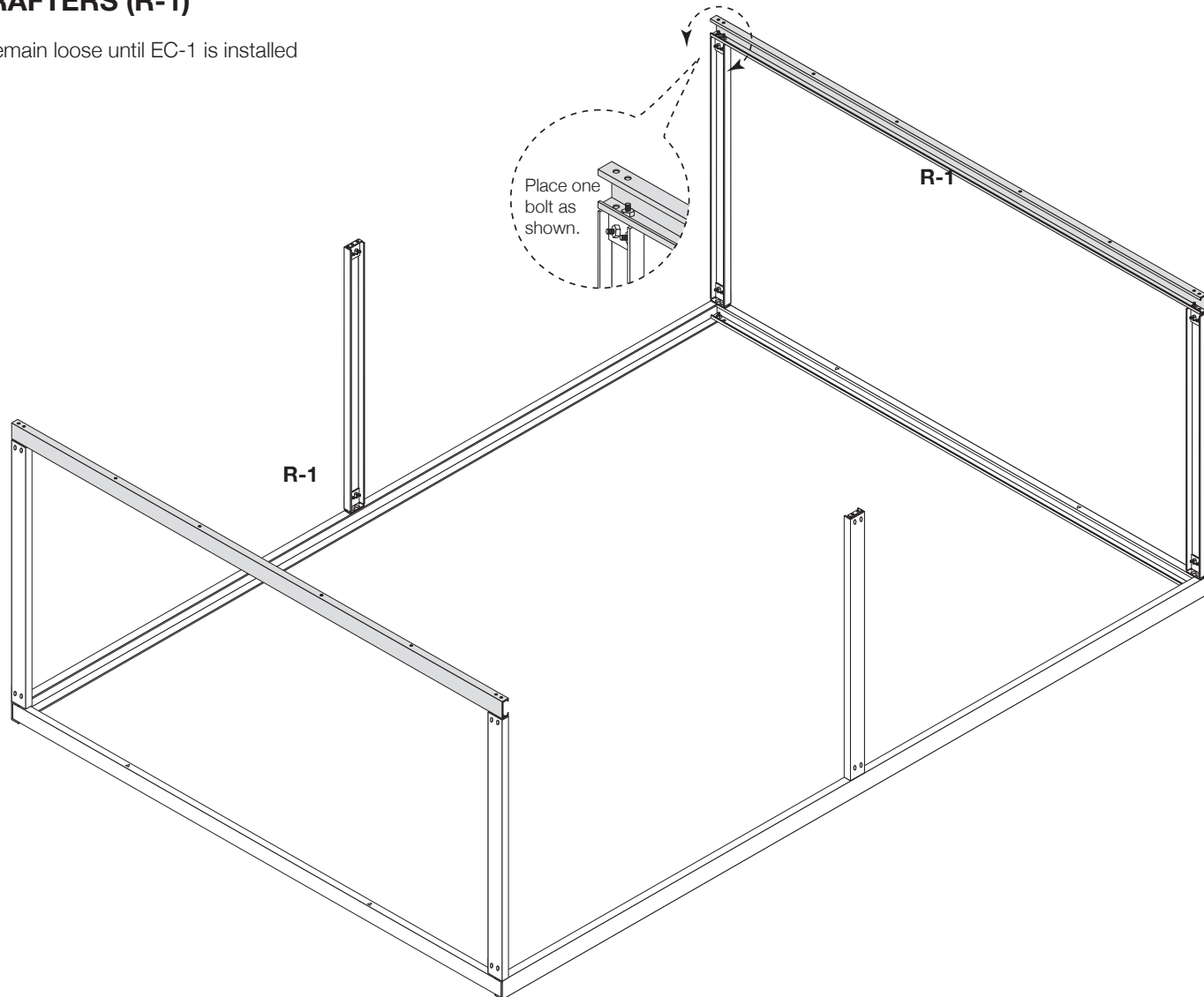
Attach column to MKB-1 (Galvanized MKB-2) clip using 1/2"x1" Fin Head Bolts

HINT: Add clips to top of columns before standing up.



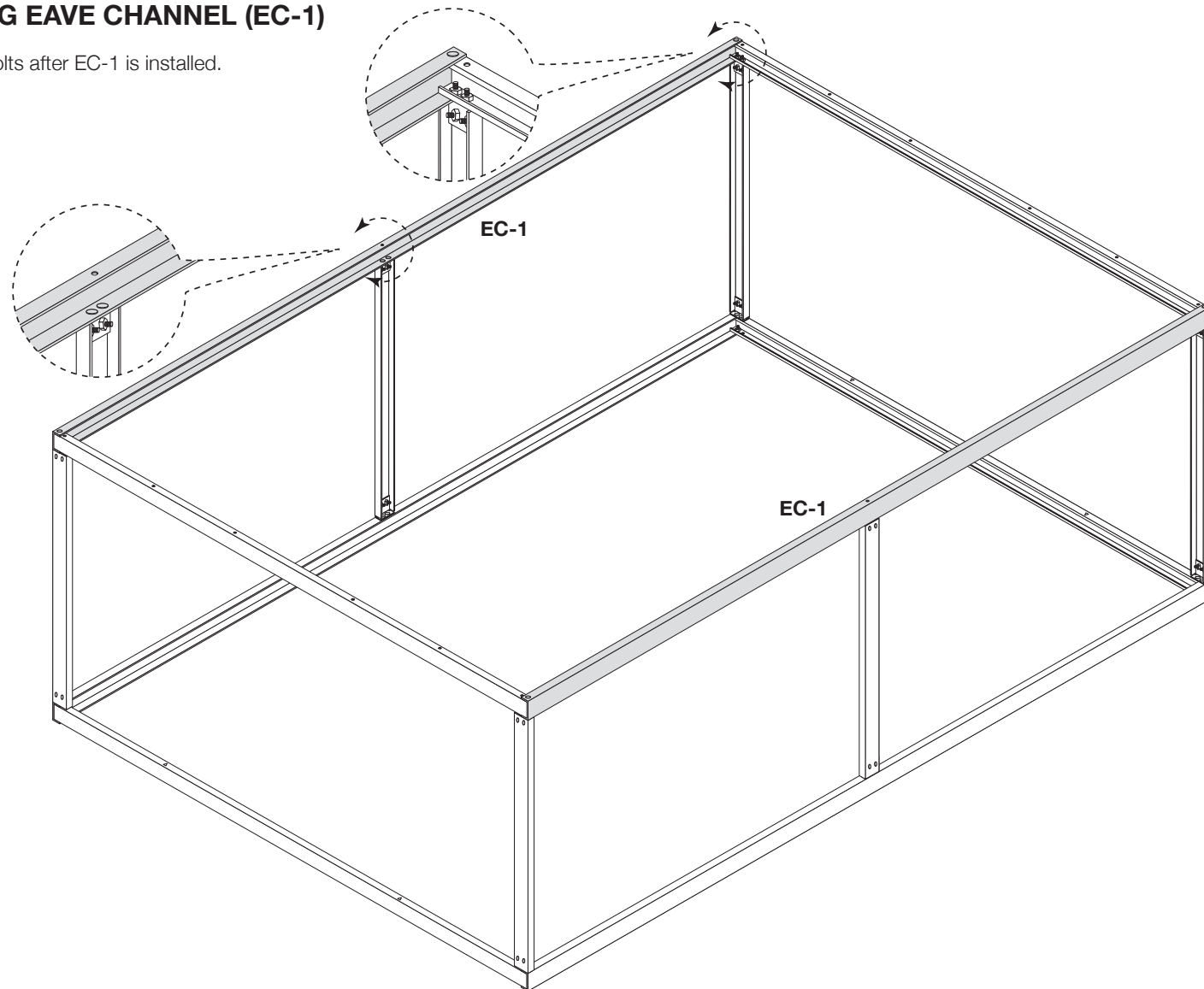
ADDING RAFTERS (R-1)

Bolts should remain loose until EC-1 is installed

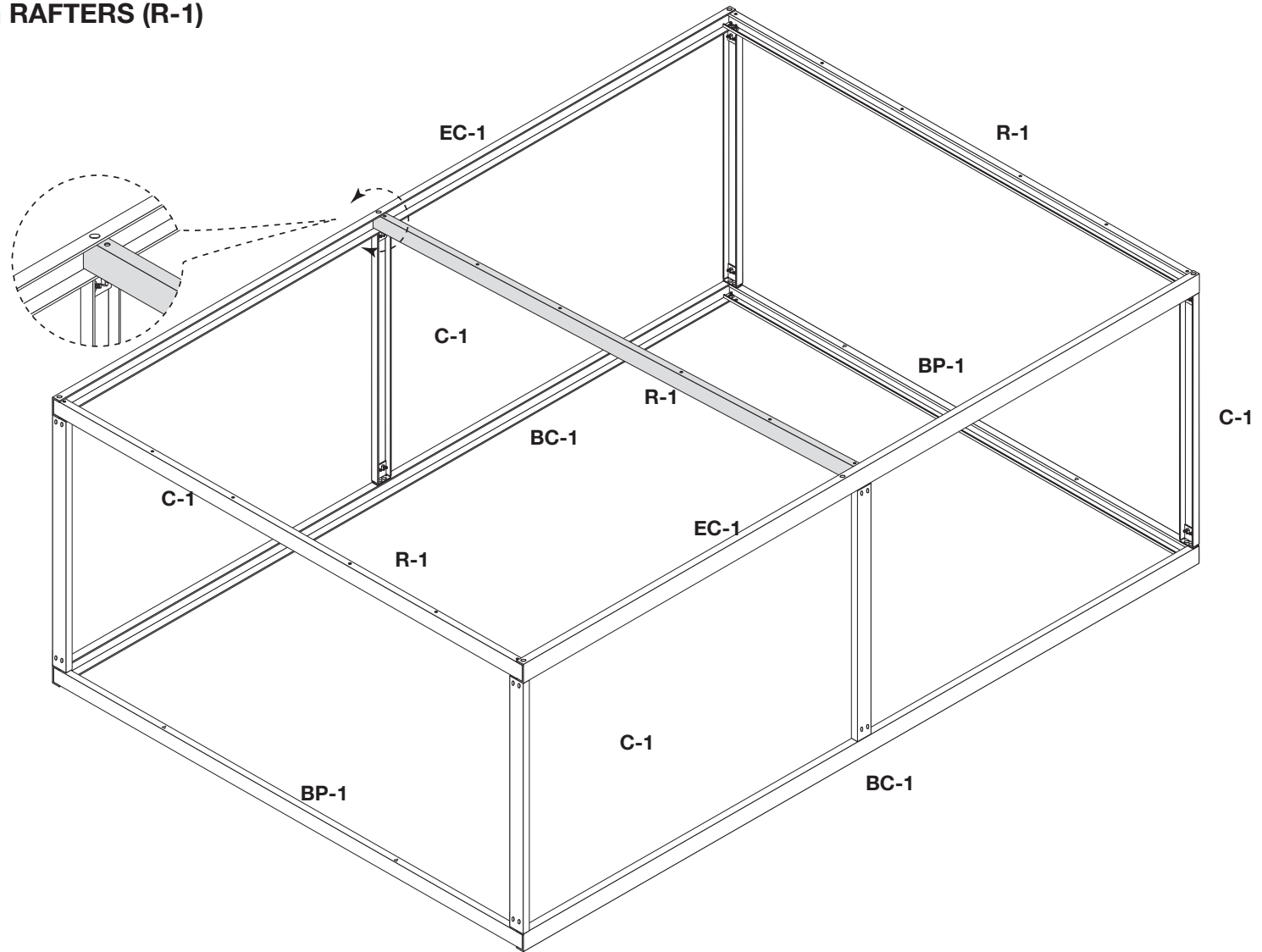


ADDING EAVE CHANNEL (EC-1)

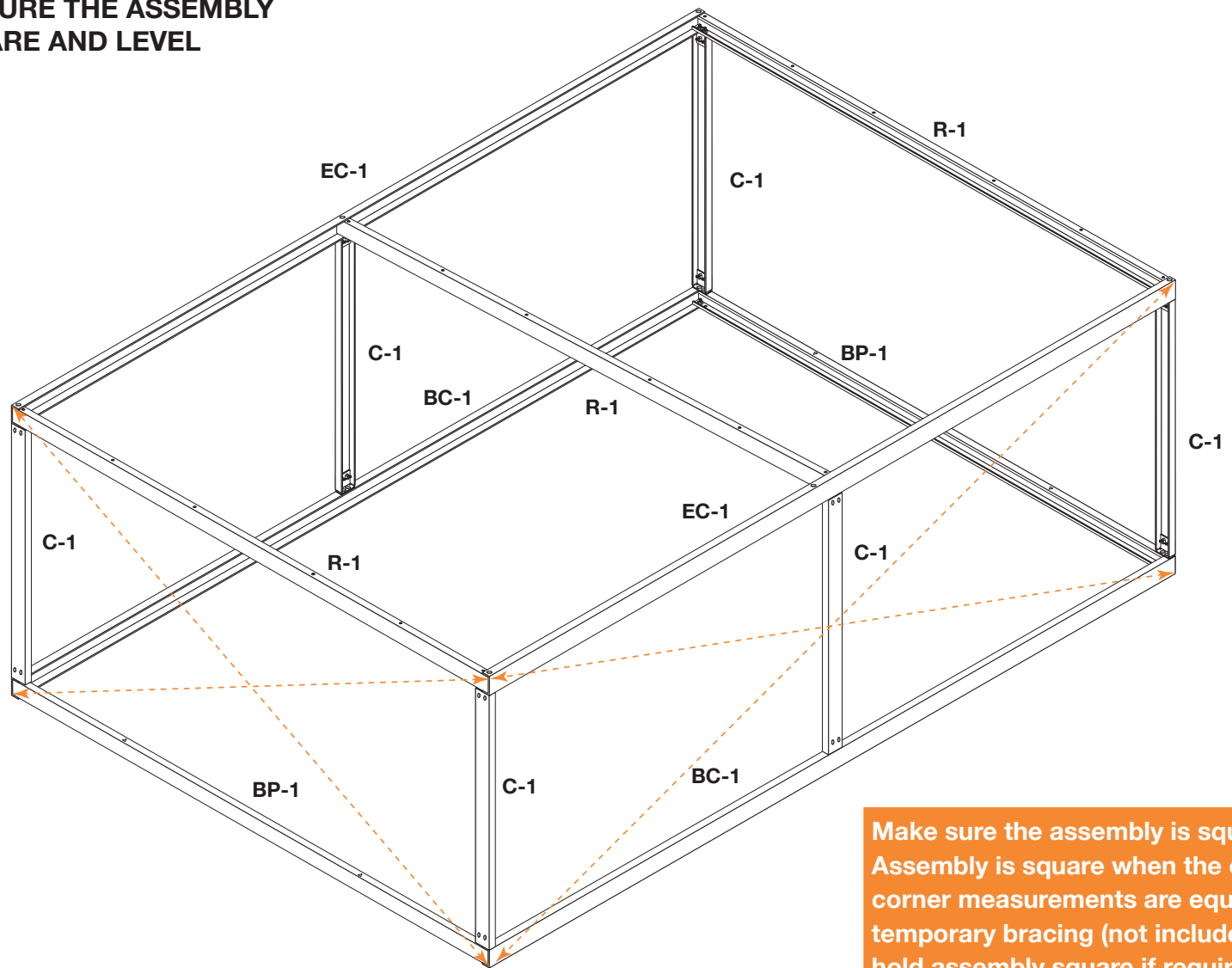
Tighten bolts after EC-1 is installed.



ADDING RAFTERS (R-1)



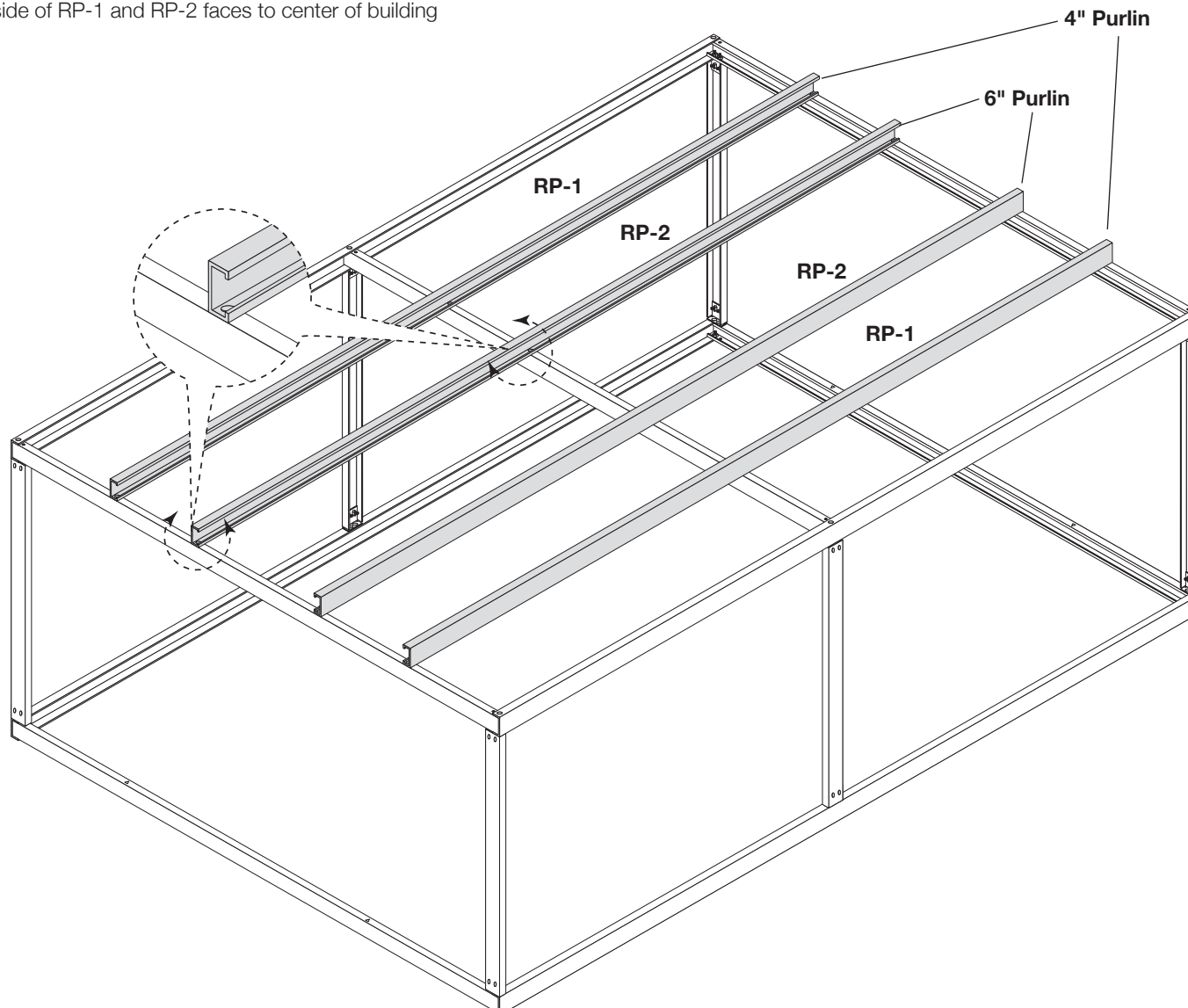
MAKE SURE THE ASSEMBLY IS SQUARE AND LEVEL



Make sure the assembly is square. Assembly is square when the corner to corner measurements are equal. Use temporary bracing (not included) to hold assembly square if required.

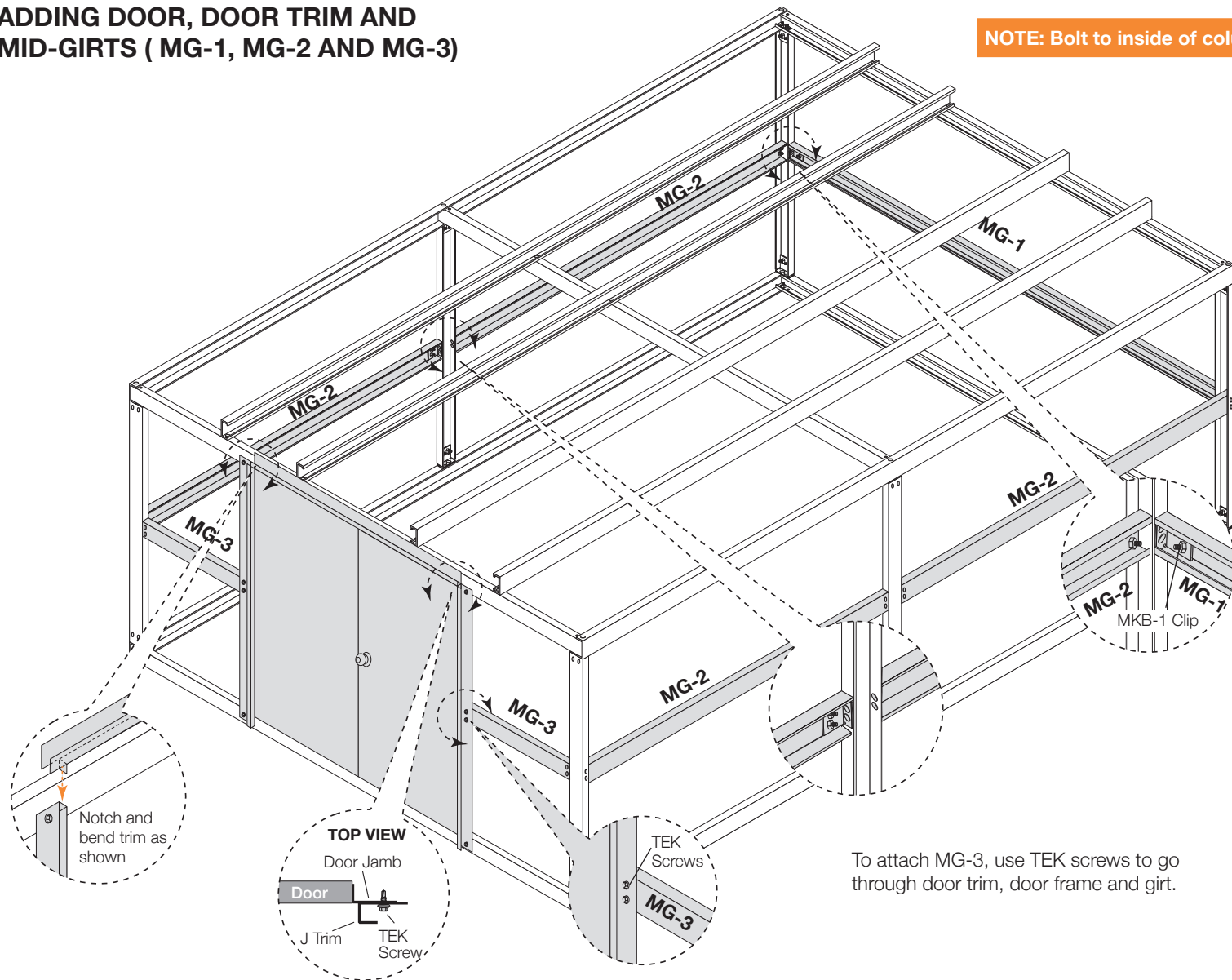
ADDING ROOF PURLIN (RP-1 AND RP-2)

Open side of RP-1 and RP-2 faces to center of building



ADDING DOOR, DOOR TRIM AND MID-GIRTS (MG-1, MG-2 AND MG-3)

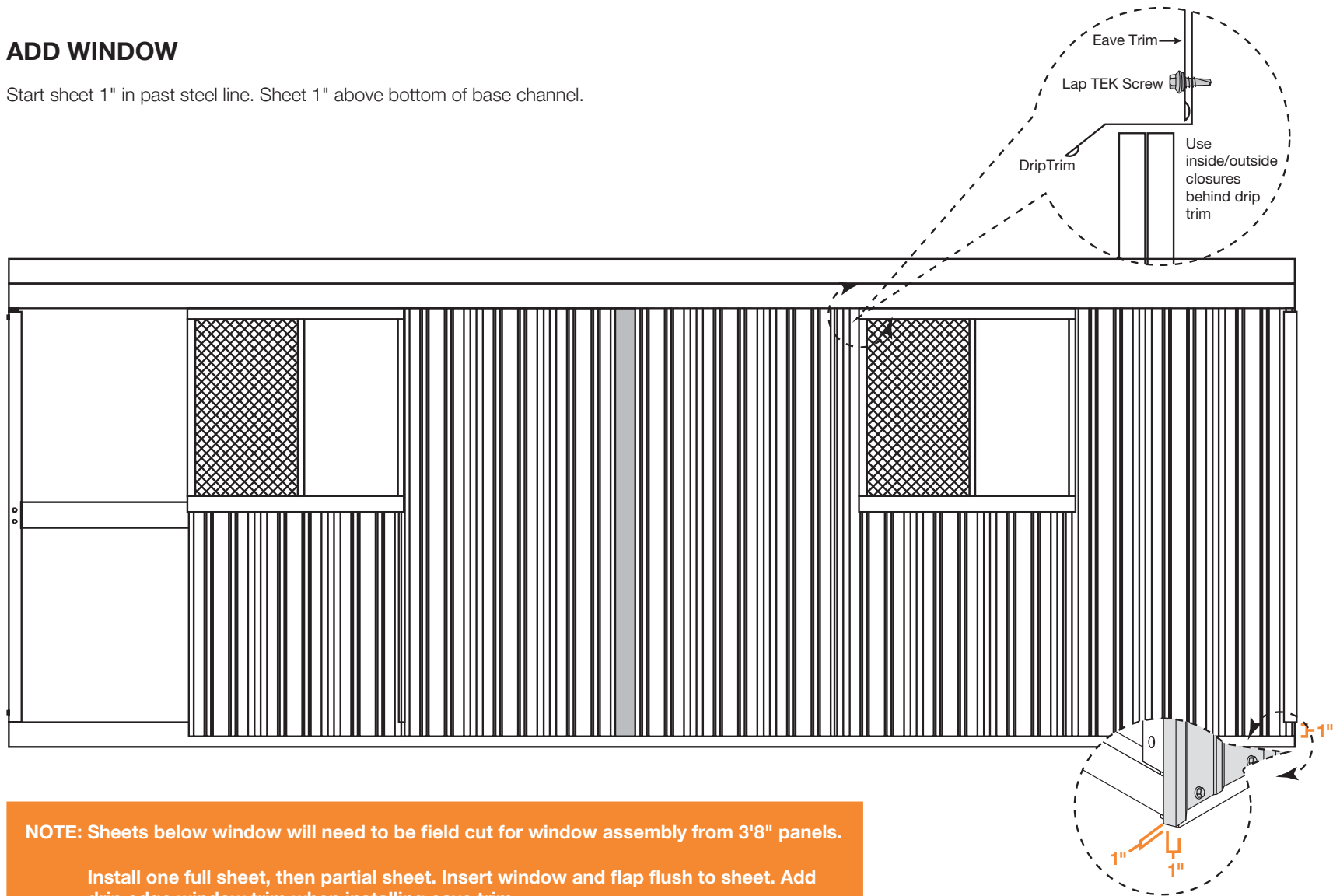
NOTE: Bolt to inside of column leg



To attach MG-3, use TEK screws to go through door trim, door frame and girt.

ADD WINDOW

Start sheet 1" in past steel line. Sheet 1" above bottom of base channel.



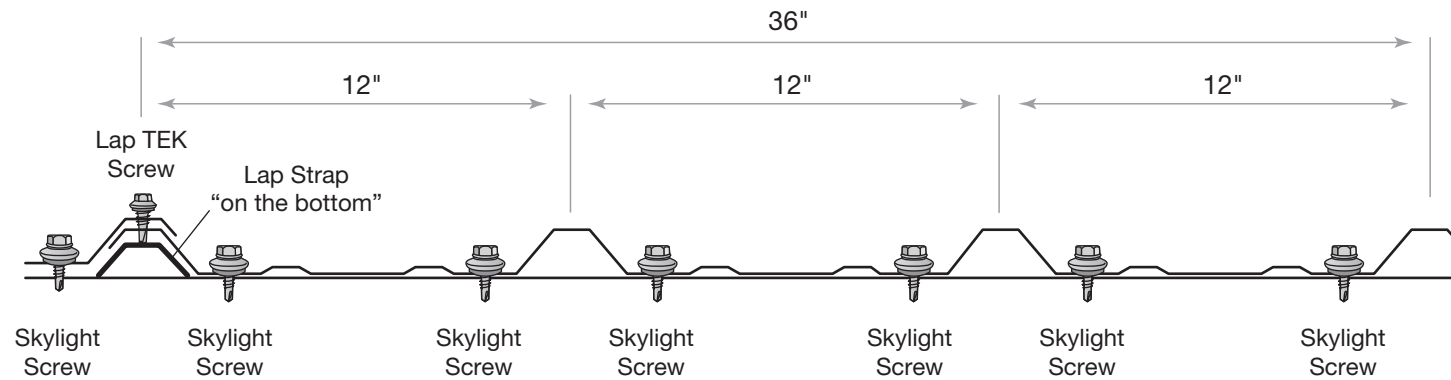
NOTE: Sheets below window will need to be field cut for window assembly from 3'8" panels.

Install one full sheet, then partial sheet. Insert window and flap flush to sheet. Add drip edge window trim when installing eave trim.

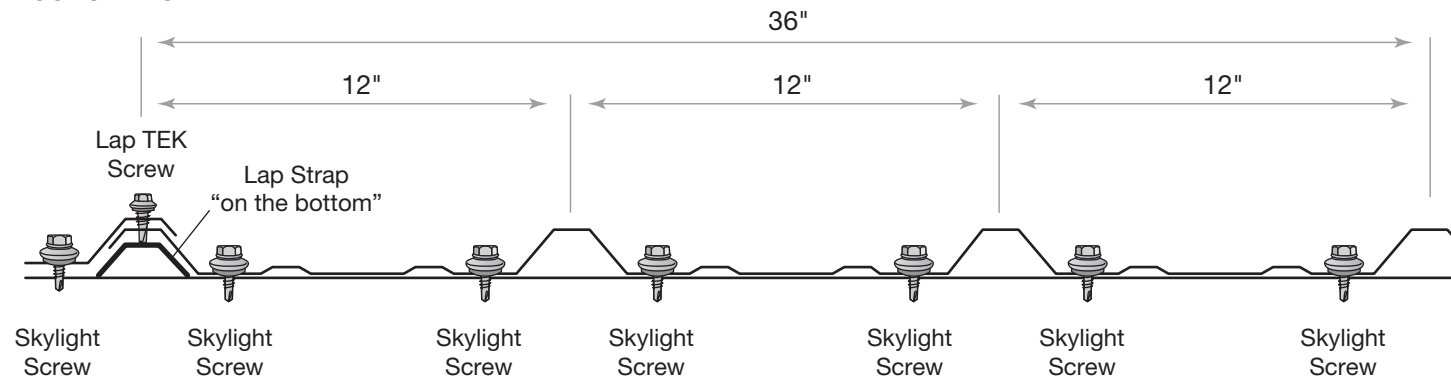
See installation instructions included with the window packaging.

SHEETING SCREW PLACEMENT

WALL SHEETS

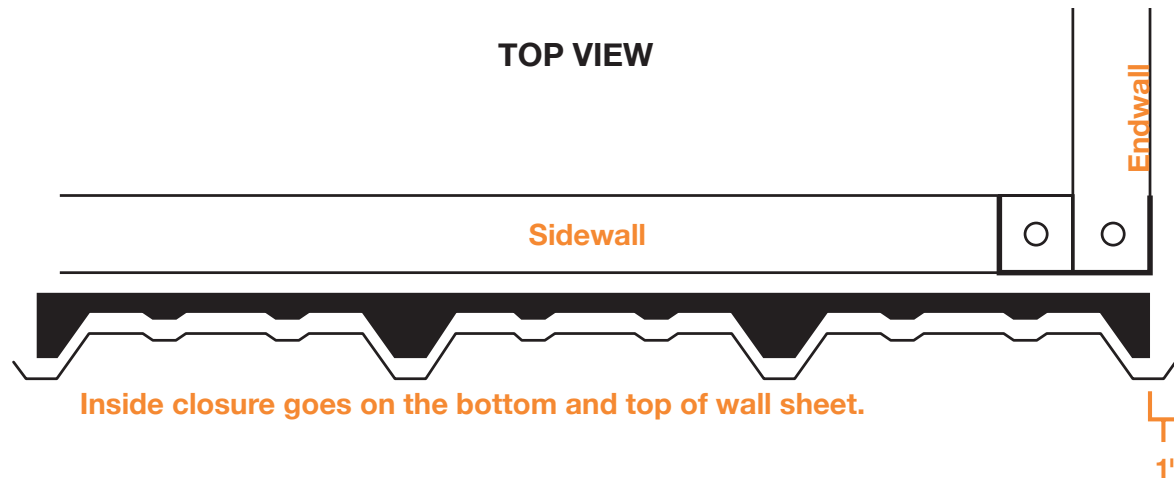


ROOF SHEETS



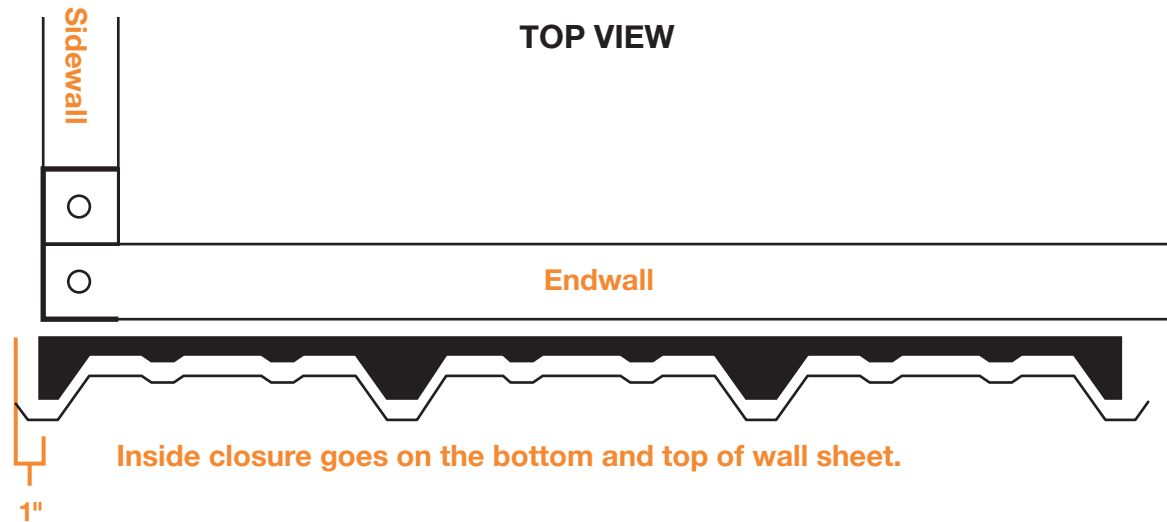
NOTE: Make sure to use TEK screws to attach sheets to purlins, lap TEK screws to attach sheets to sheets.

SHEETING SIDEWALL



NOTE: Start sheets 1" in from corner channel and start sheet 1" above the bottom of the base channel.

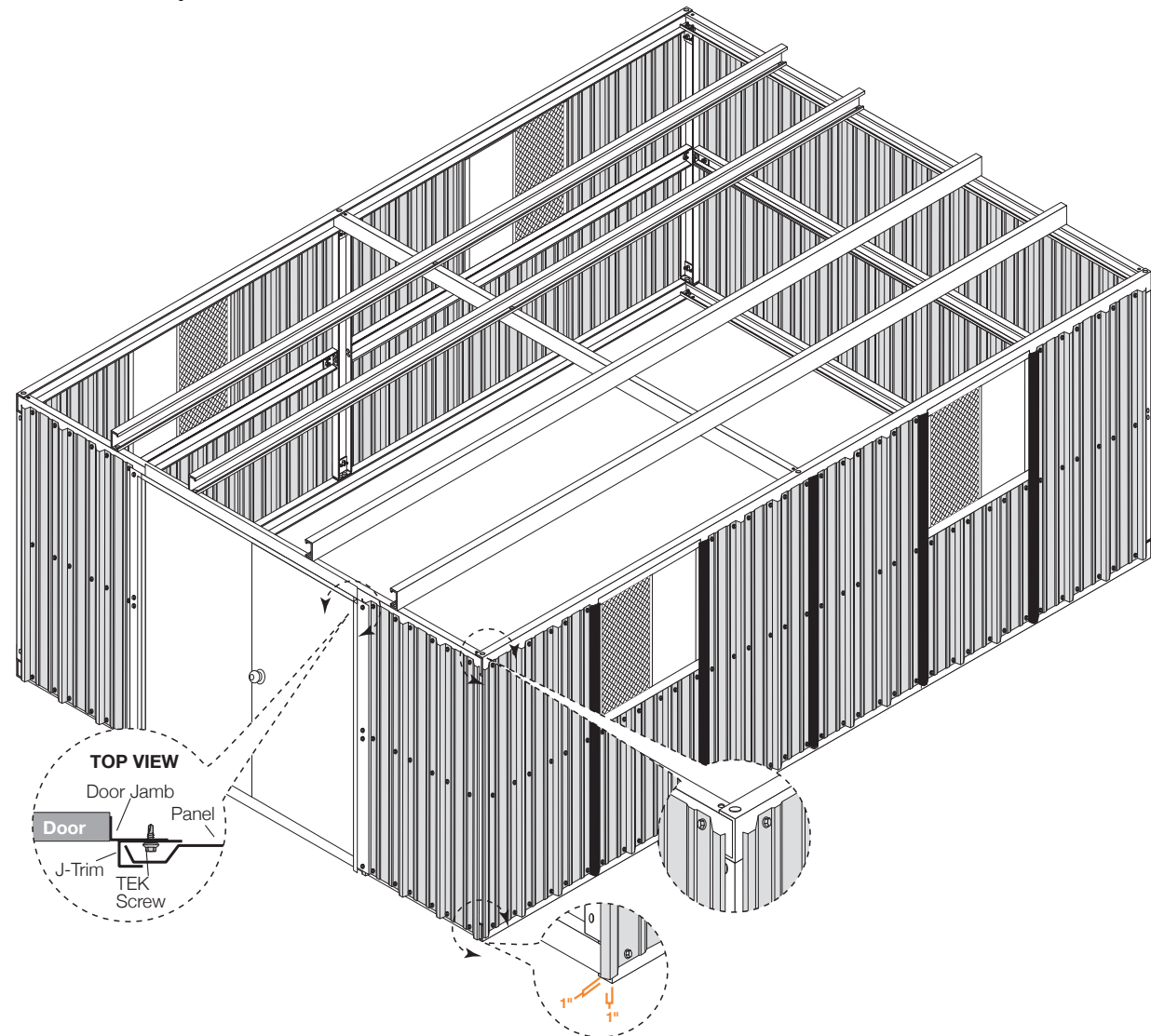
SHEETING ENDWALL



NOTE: Start sheets 1" out from corner channel and start sheet 1" above the bottom of the base purlin.

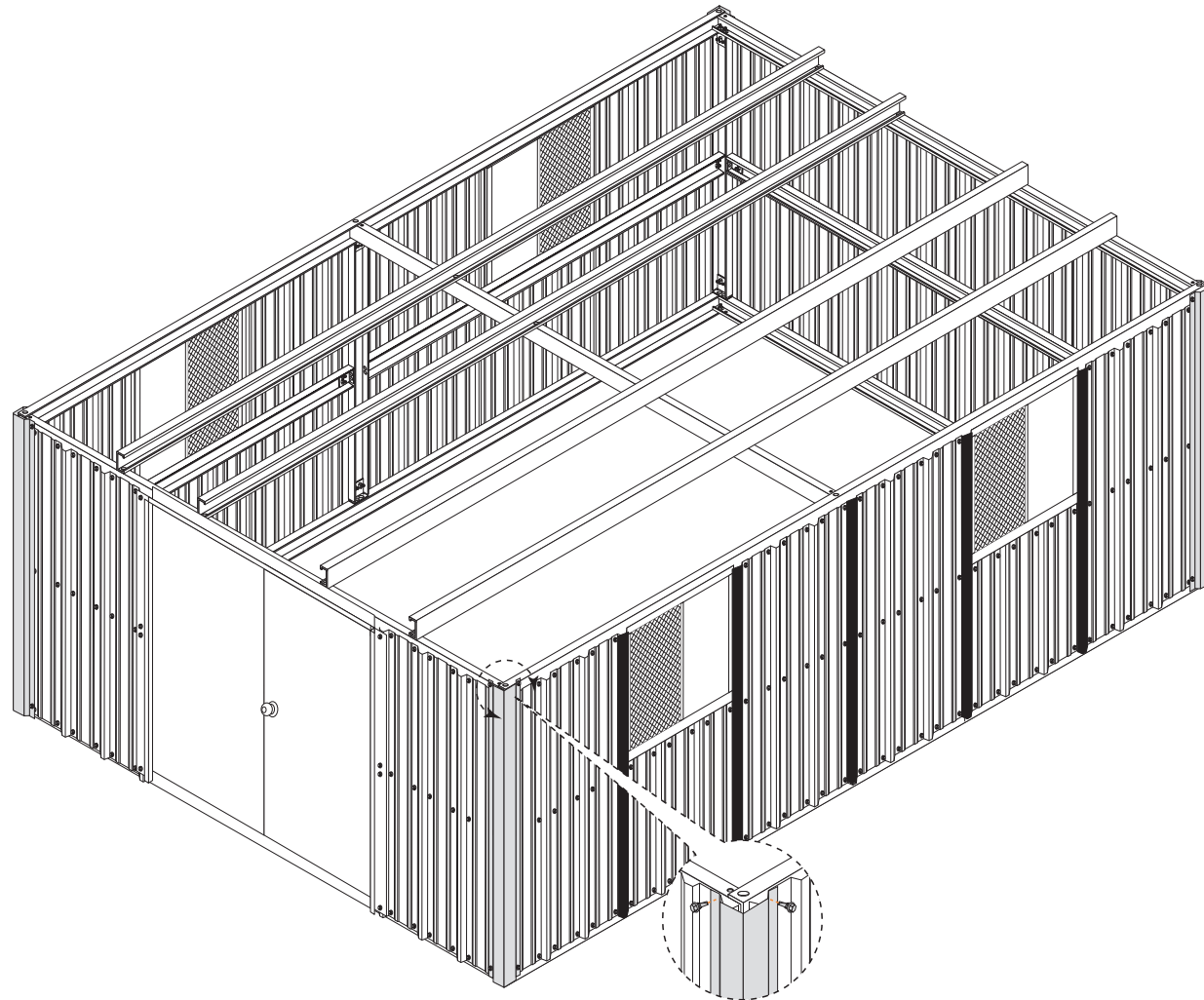
SHEETING (START FROM A CORNER)

NOTE: Make sure the frame is plumb and level, and tighten all bolts prior to sheeting. Repeat for each wall.



NOTE: For side with door, start sheets flush with J-trim on both sides of the door.

ADDING CORNER TRIM

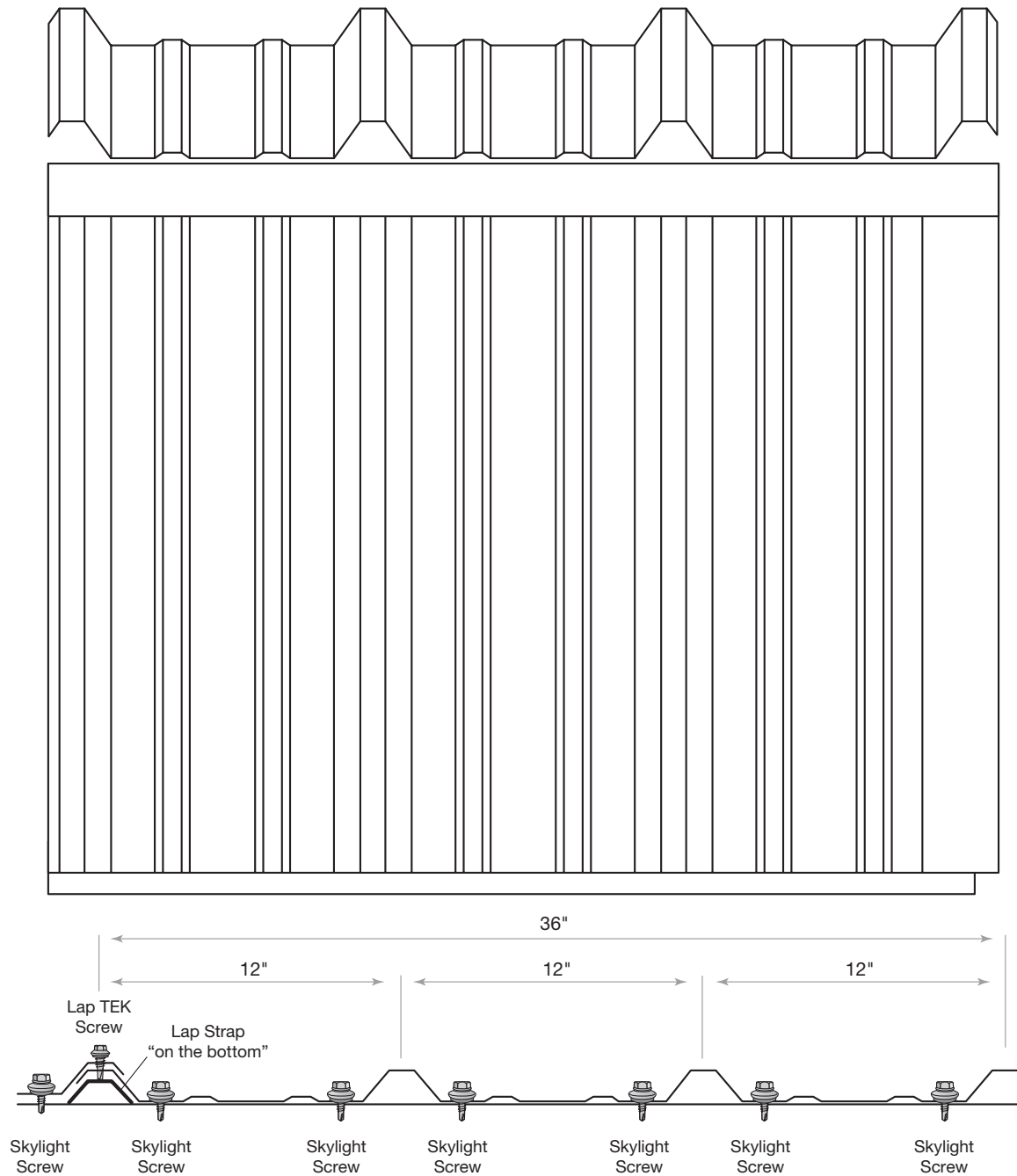


BACK SIDE WALL

Roof to wall sheet alignment.

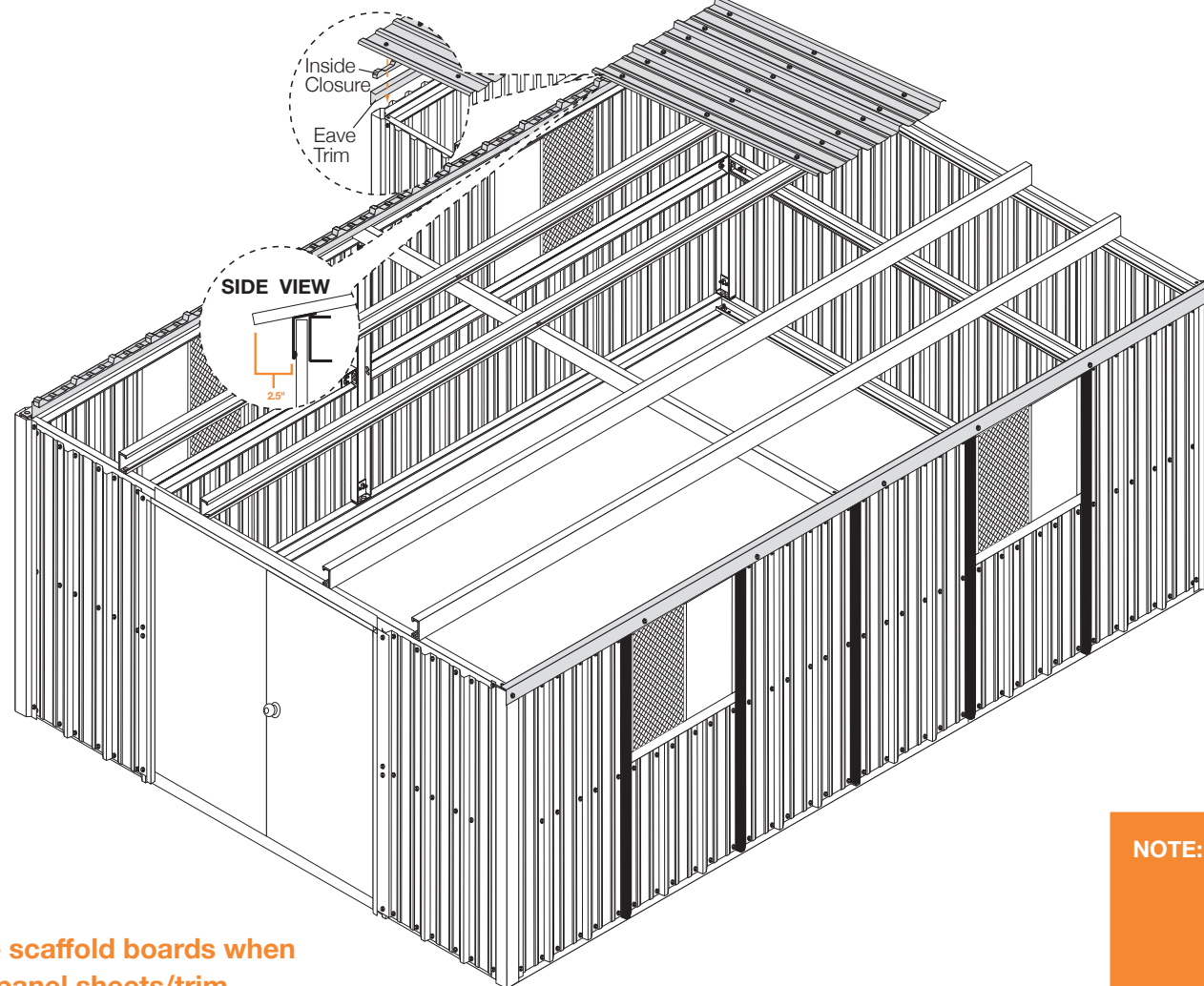
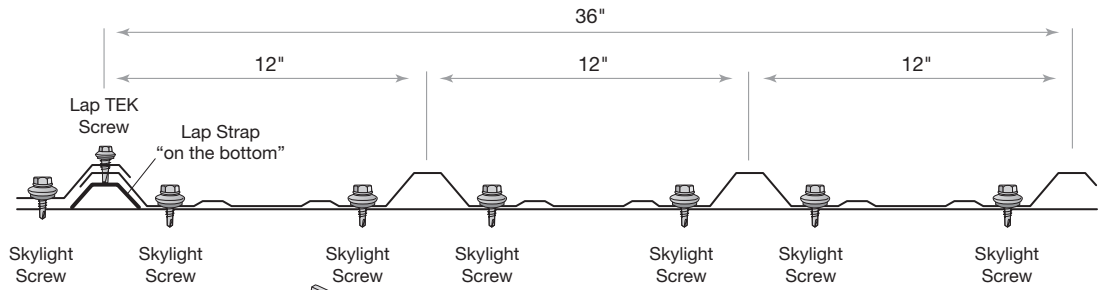
Align major ribs from wall to major rib on roof.

NOTE: Make sure panels remain square during installation.



SHEETING THE ROOF

Align roof sheets with wall sheets



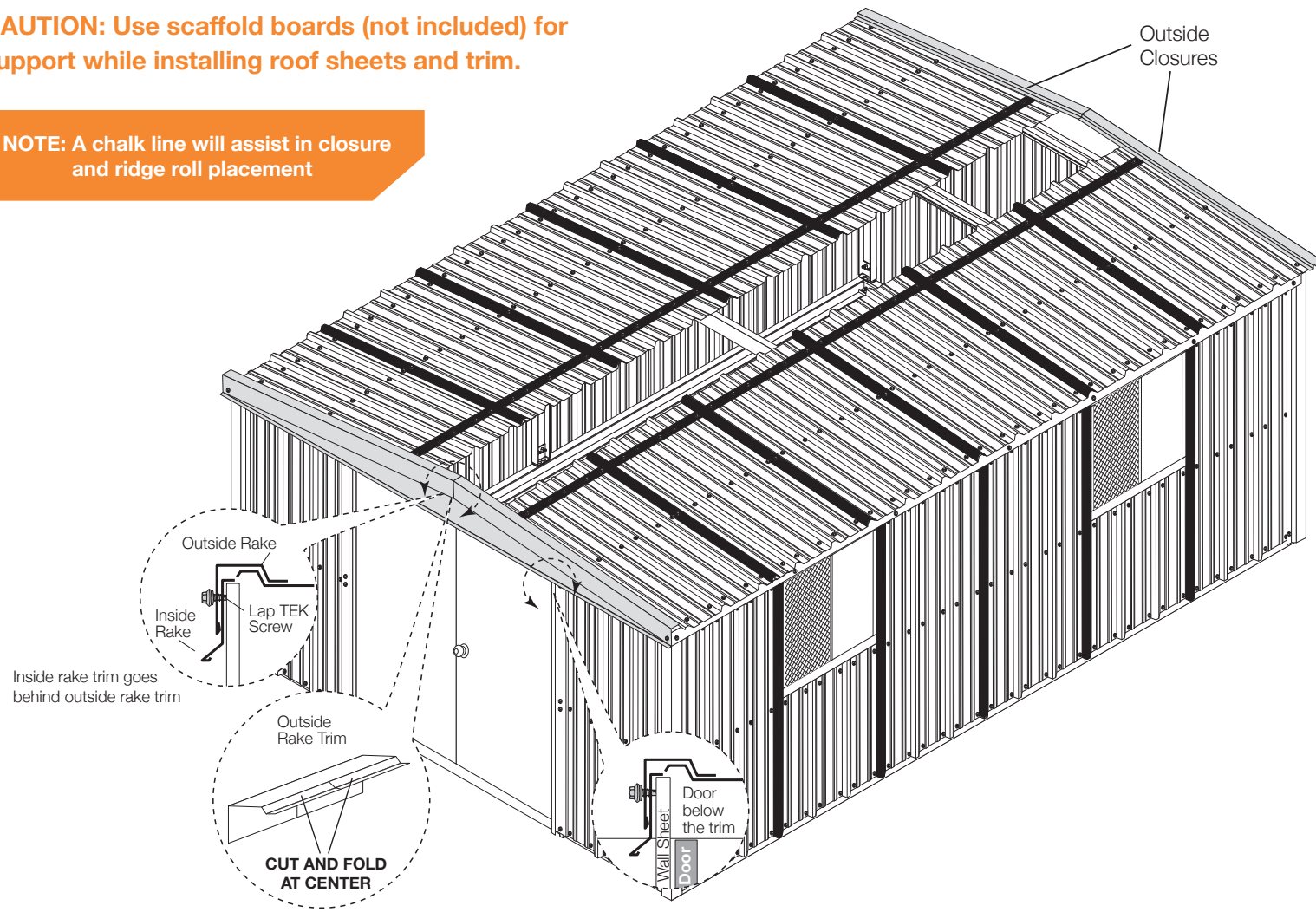
CAUTION: Use scaffold boards when installing roof panel sheets/trim

NOTE: Use TEK screws at the purlins
Use Lap TEK screws every 20" vertically

ROOFING TRIM DETAILS

CAUTION: Use scaffold boards (not included) for support while installing roof sheets and trim.

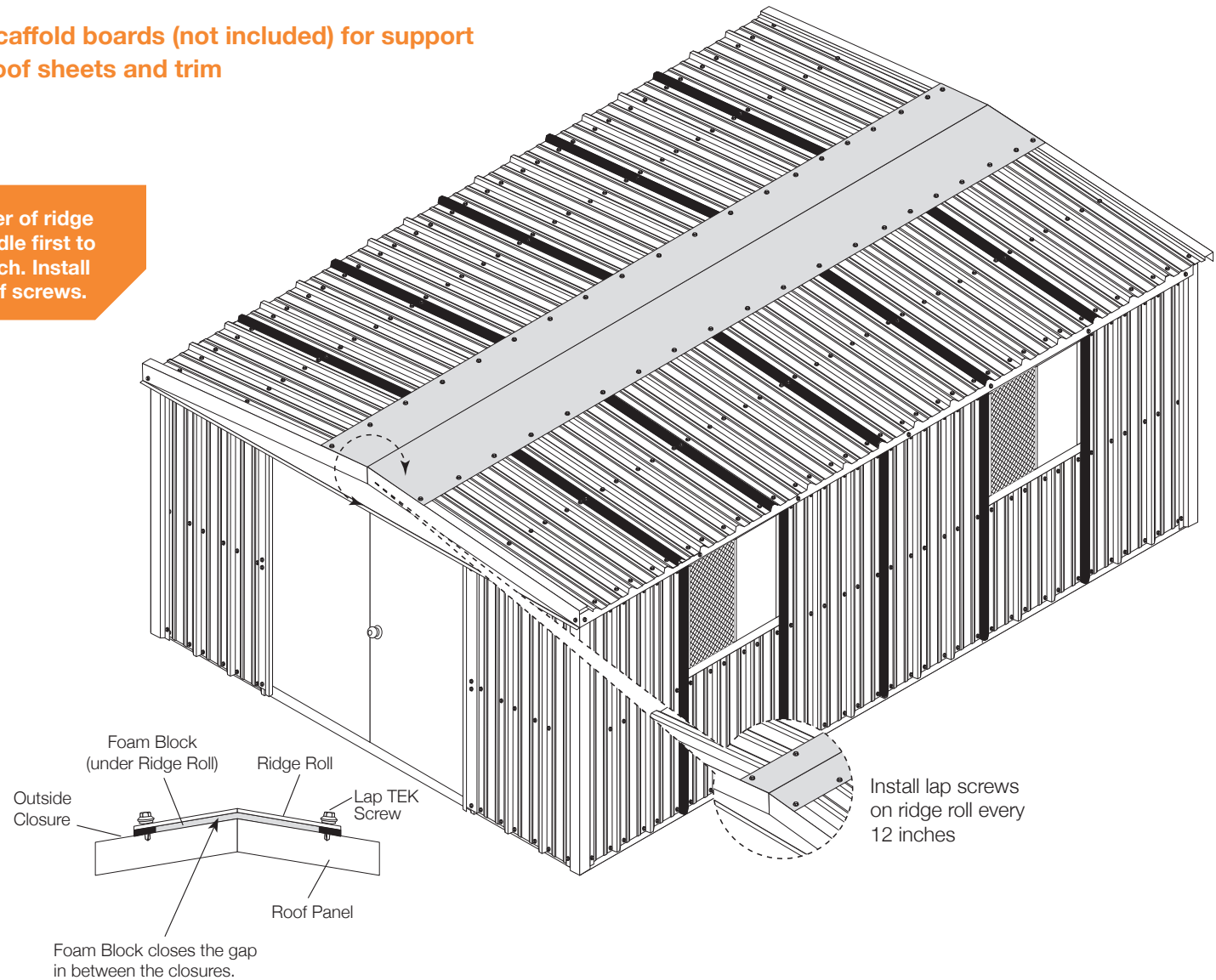
NOTE: A chalk line will assist in closure and ridge roll placement



RIDGE ROLL INSTALLATION

CAUTION: Use scaffold boards (not included) for support while installing roof sheets and trim

HINT: Screw corner of ridge roll and middle first to maintain pitch. Install remainder of screws.



TOTAL BUILDING MEASUREMENTS

