

## Slab Mounted: 12' x 21' x 8' Backyard Building with Optional Center Girts Instructions

Mueller Backyard Building Kits are not engineered structures and do not meet any specific building code criteria.  
For video installation instructions, visit our website at [www.muellerinc.com/downloads-home/videos-home](http://www.muellerinc.com/downloads-home/videos-home)

**877-2- MUELLER • [www.muellerinc.com](http://www.muellerinc.com)**



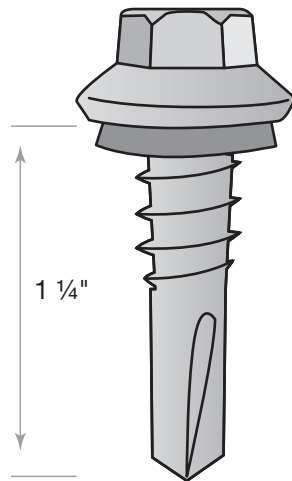
## PARTS LIST

Refer to the parts list on the itemized invoice delivered with your building. All parts are stenciled on the inside of the channel, purlin, girts and rafters. Example of this below:

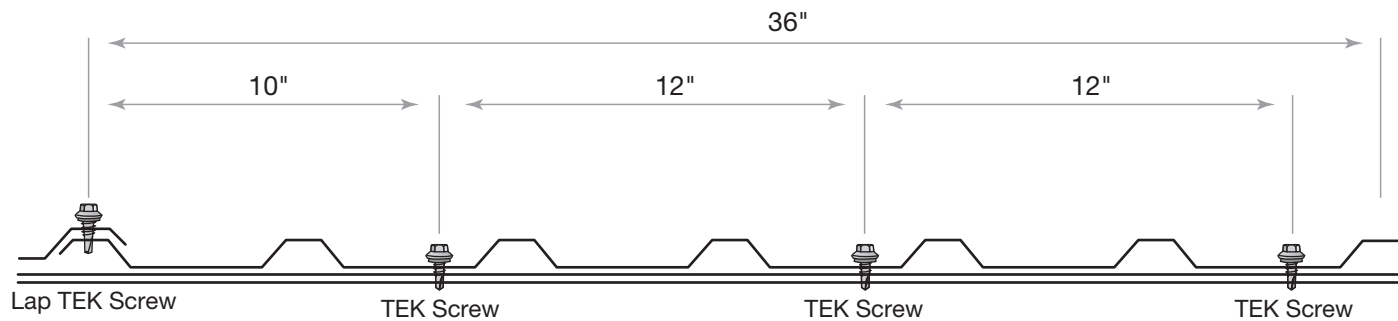
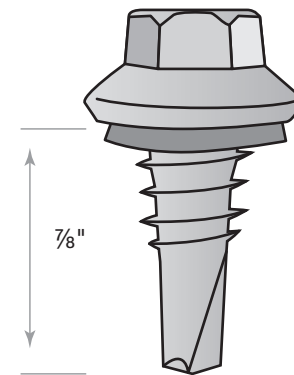


## TYPES OF SCREWS

TEK Screw  
For attaching sheet metal to purlin



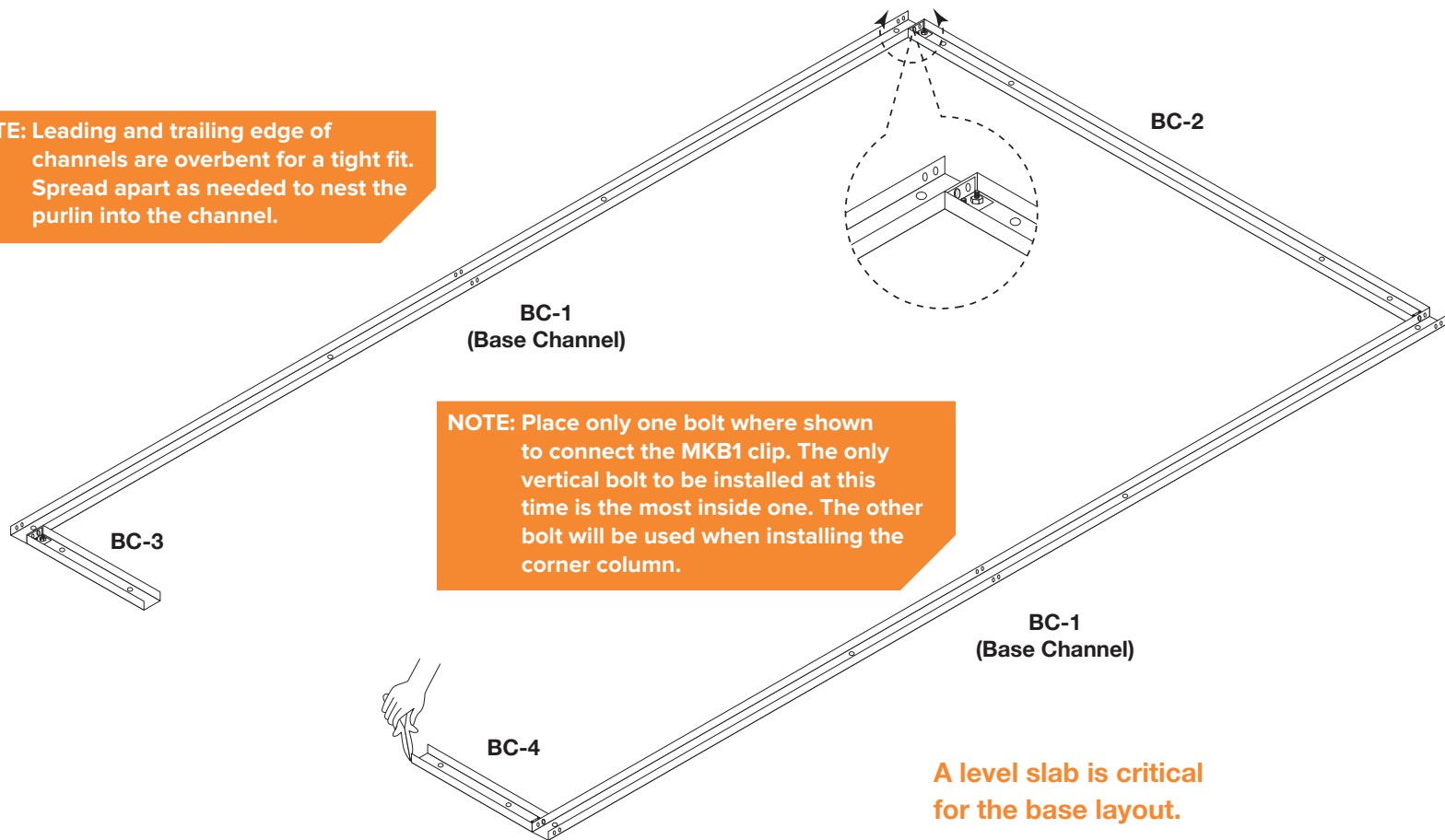
Lap TEK Screw  
For attaching sheet metal to sheet metal



**NOTE:** Make sure to use TEK screws to attach sheets to purlins, lap TEK screws to attach sheets to sheets.

### BASE LAYOUT (BC-1, BC-2, BC-3 AND BC-4)

**NOTE:** Leading and trailing edge of channels are overbent for a tight fit. Spread apart as needed to nest the purlin into the channel.

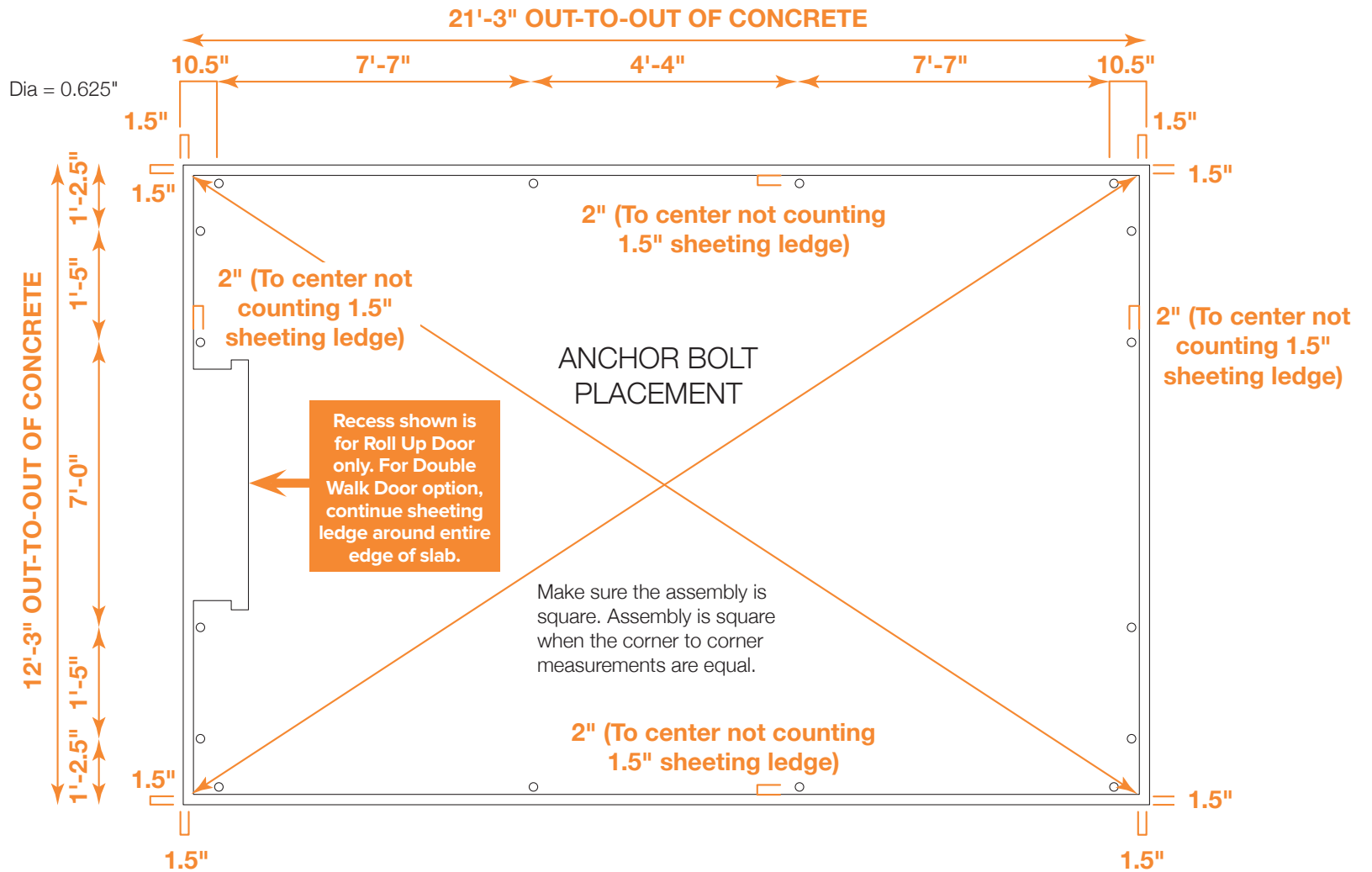


**NOTE:** Place only one bolt where shown to connect the MKB1 clip. The only vertical bolt to be installed at this time is the most inside one. The other bolt will be used when installing the corner column.

**A level slab is critical for the base layout.**

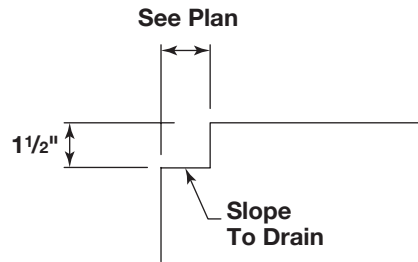
## ANCHOR BOLT PLACEMENT

**NOTE:** Make sure assembly is square.

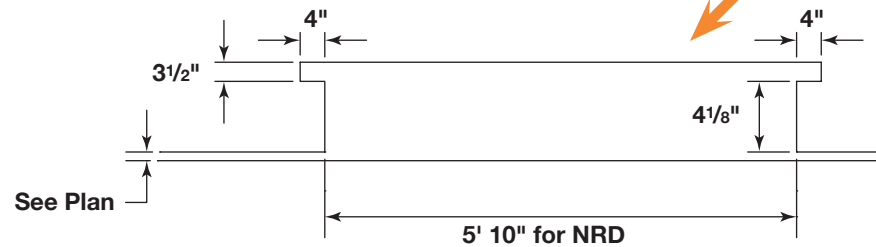


### ANCHOR BOLT PLACEMENT DETAILS

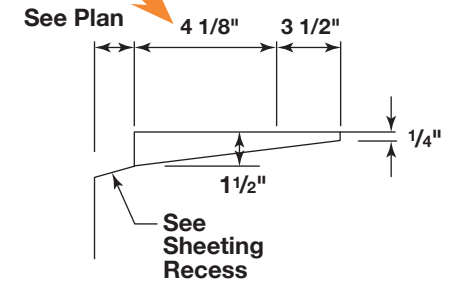
Recess shown is for Roll Up Door only. For Double Walk Door option, continue sheeting ledge around entire edge of slab.



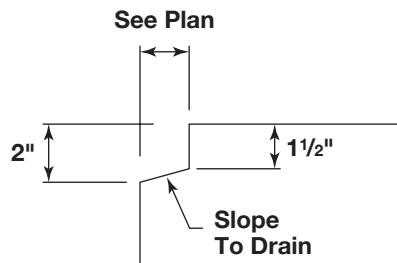
TYP. SHEETING RECESS WITH BASE DRIP EDGE TRIM



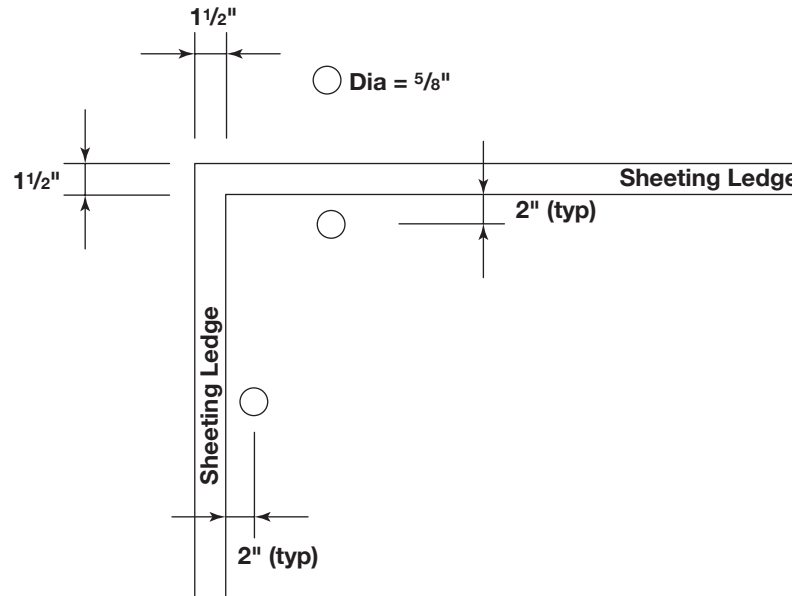
TYP. ROLL UP DOOR RECESS LAYOUT



TYP. ROLL UP DOOR RECESS

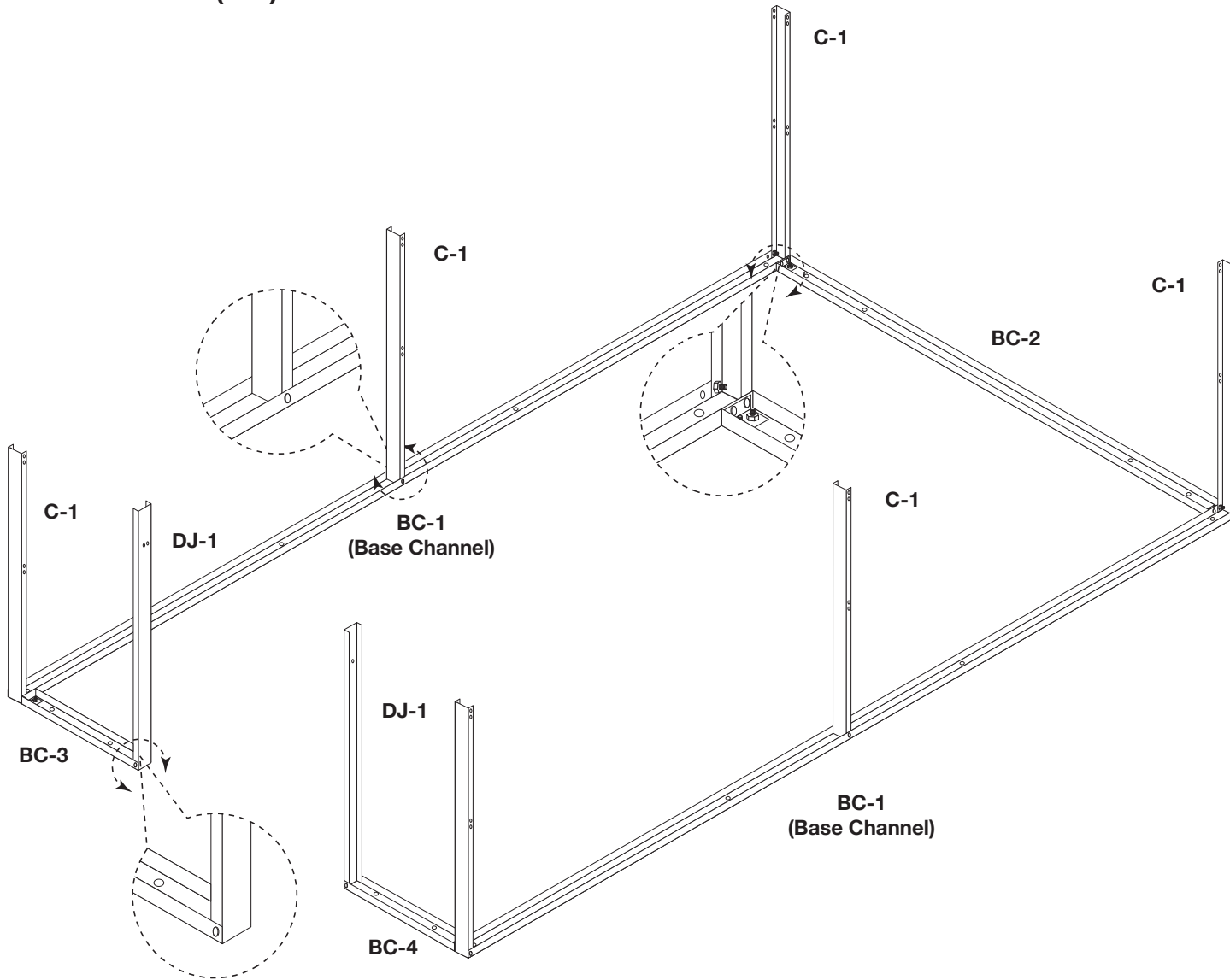


TYP. SHEETING RECESS WITHOUT BASE DRIP EDGE TRIM

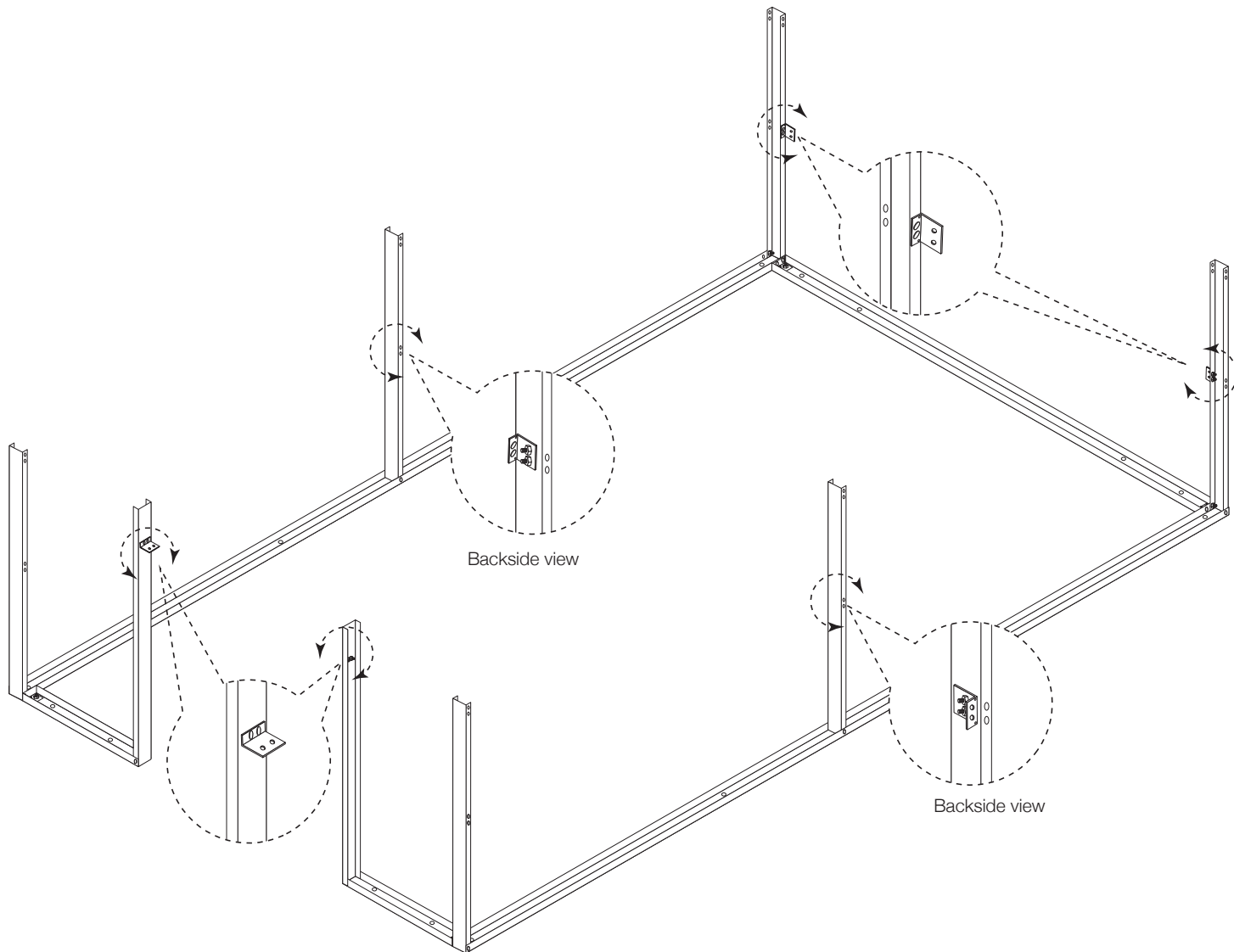


**NOTE:** One of the methods must be used. See erection details for additional information.

### ERECTING COLUMNS (C-1)

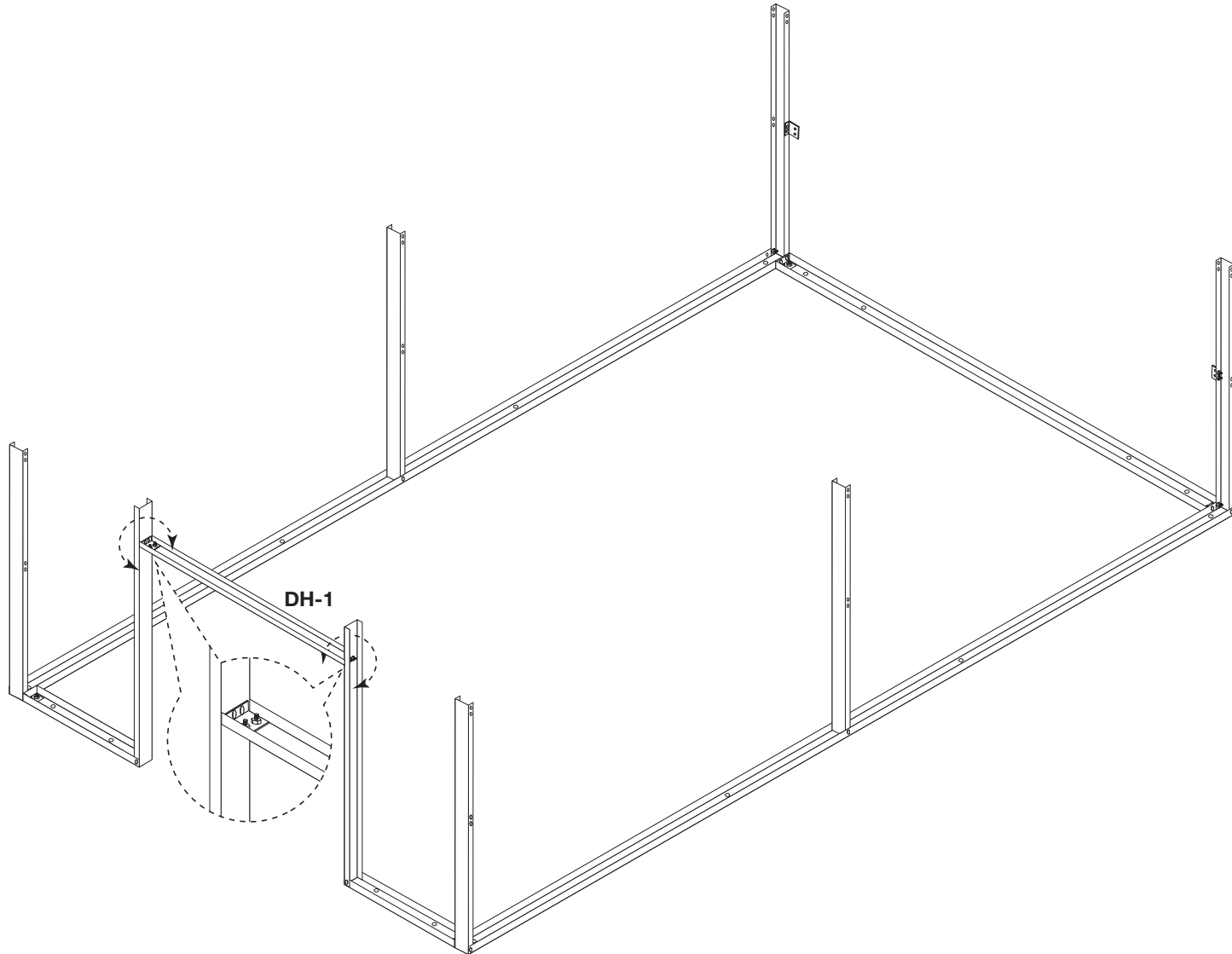


### MKB1 CLIPS TO COLUMNS

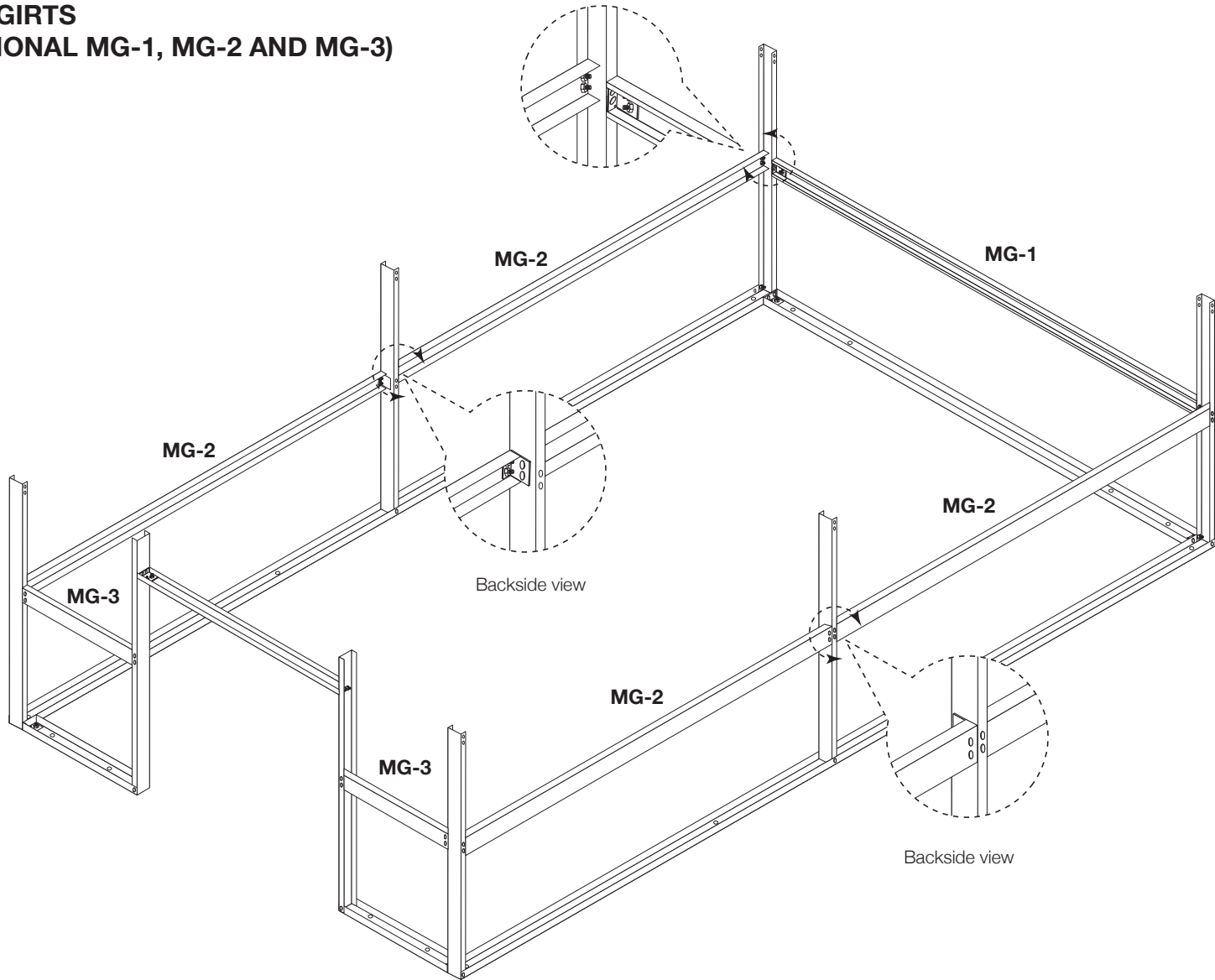




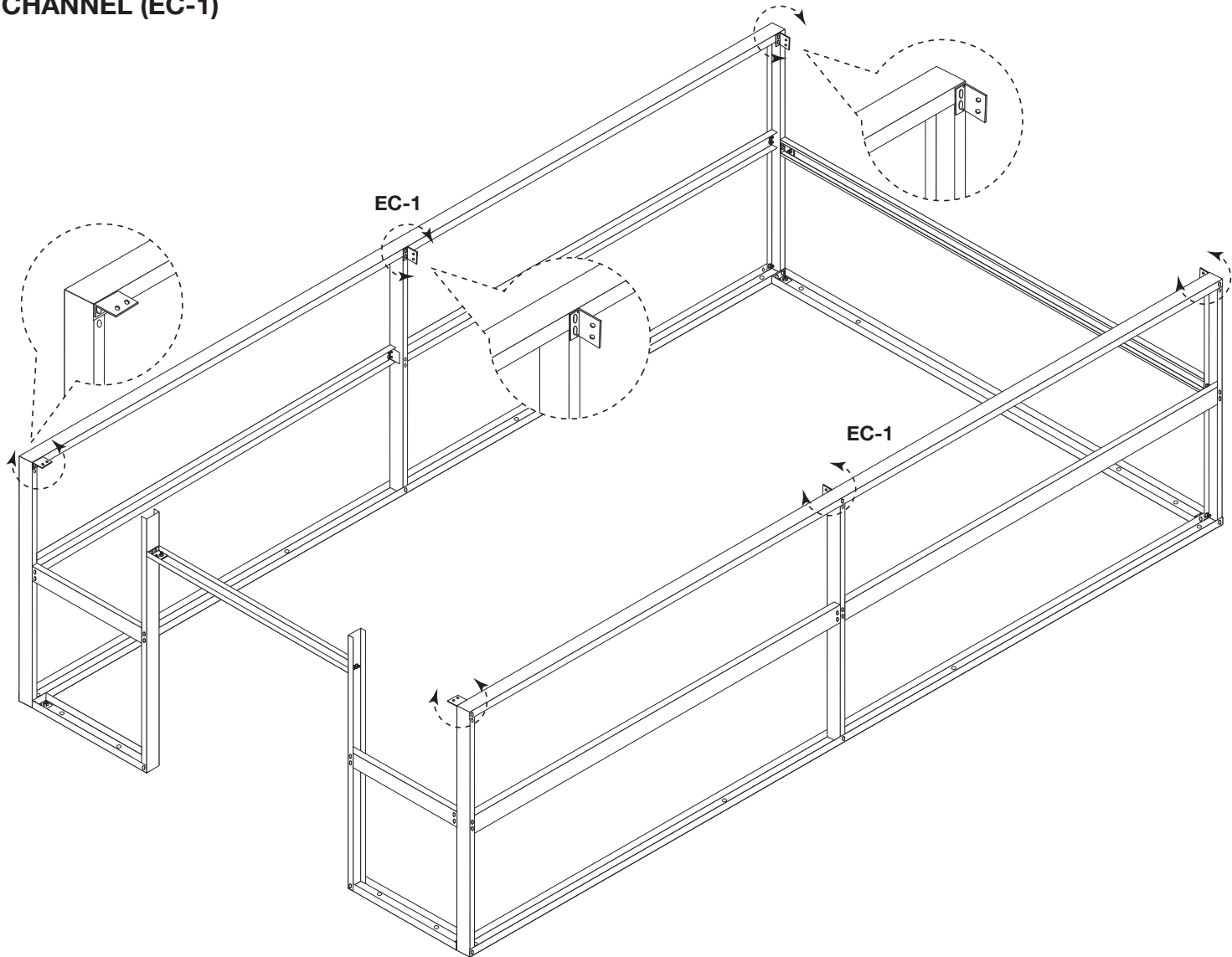
### DOOR HEADER (DH-1)



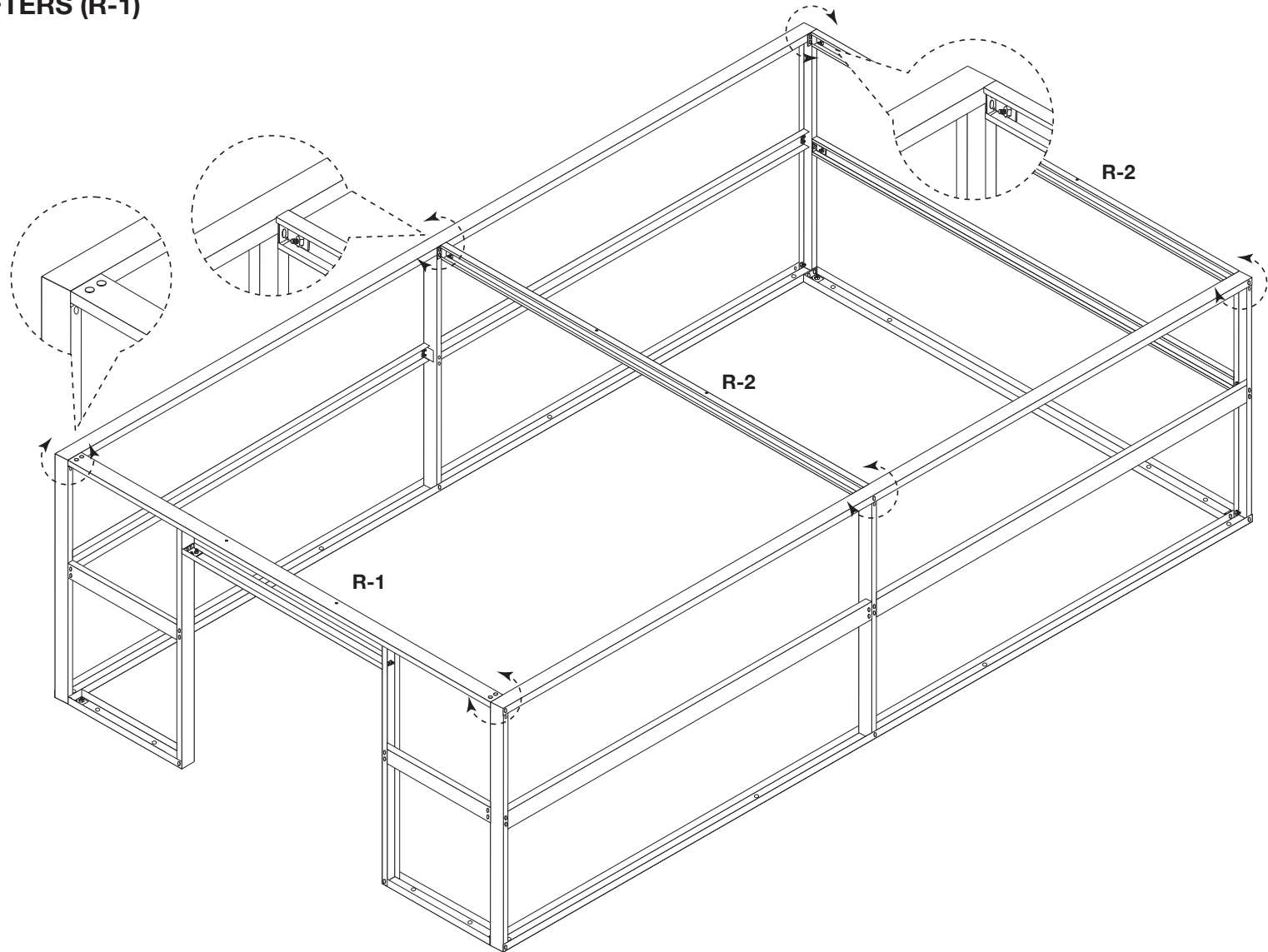
**MID-GIRTS  
(OPTIONAL MG-1, MG-2 AND MG-3)**



### EAVE CHANNEL (EC-1)

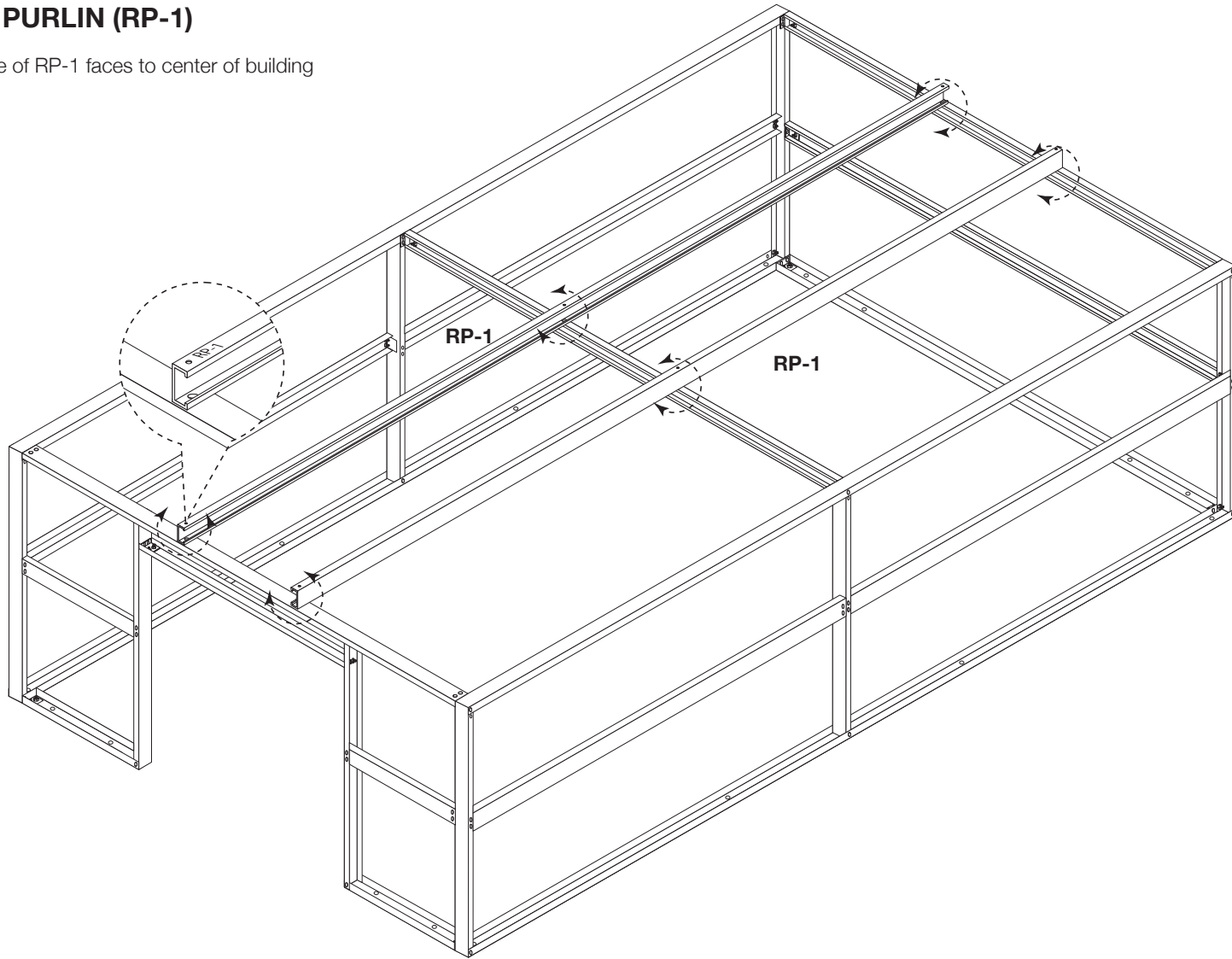


### RAFTERS (R-1)

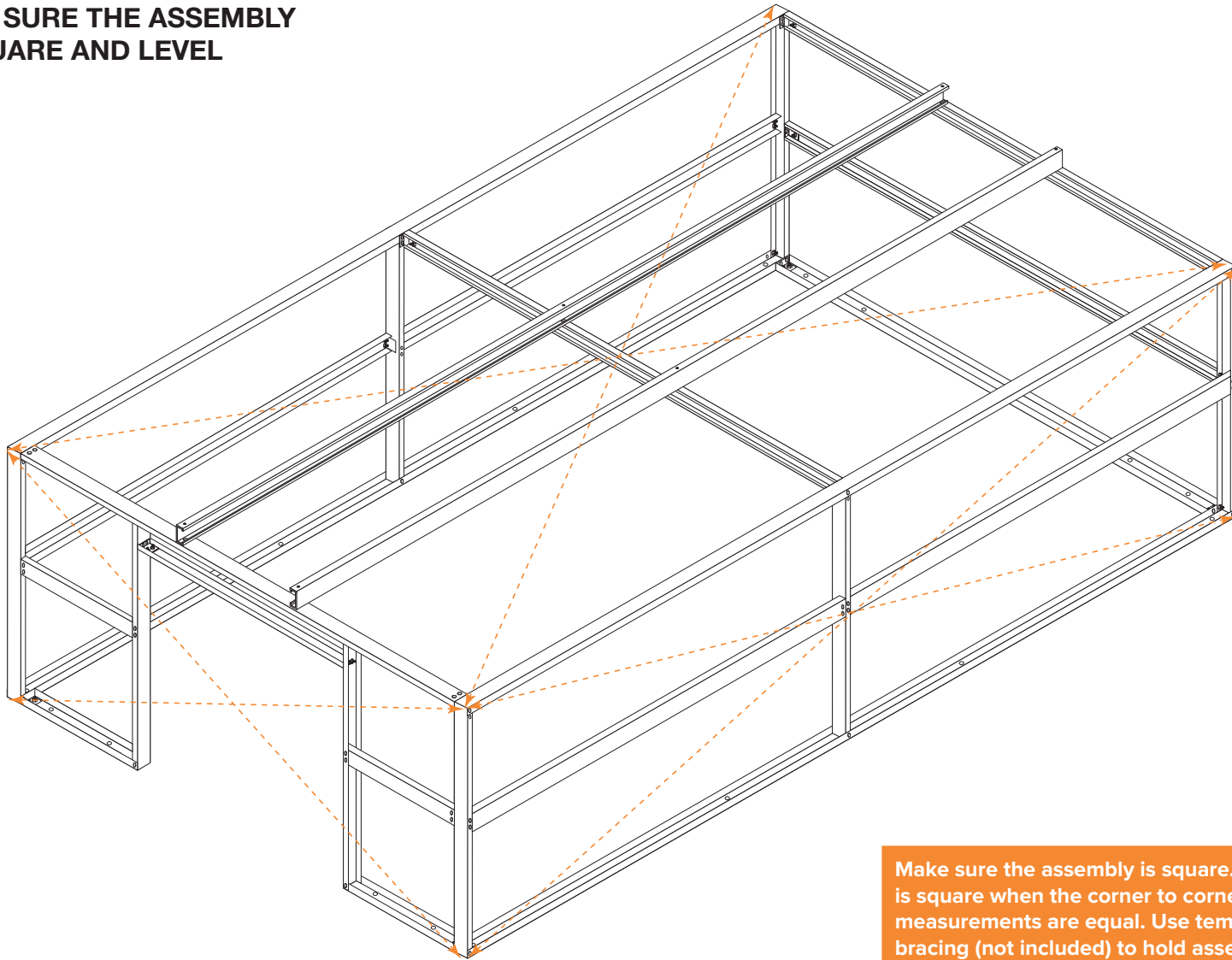


### ROOF PURLIN (RP-1)

Open side of RP-1 faces to center of building



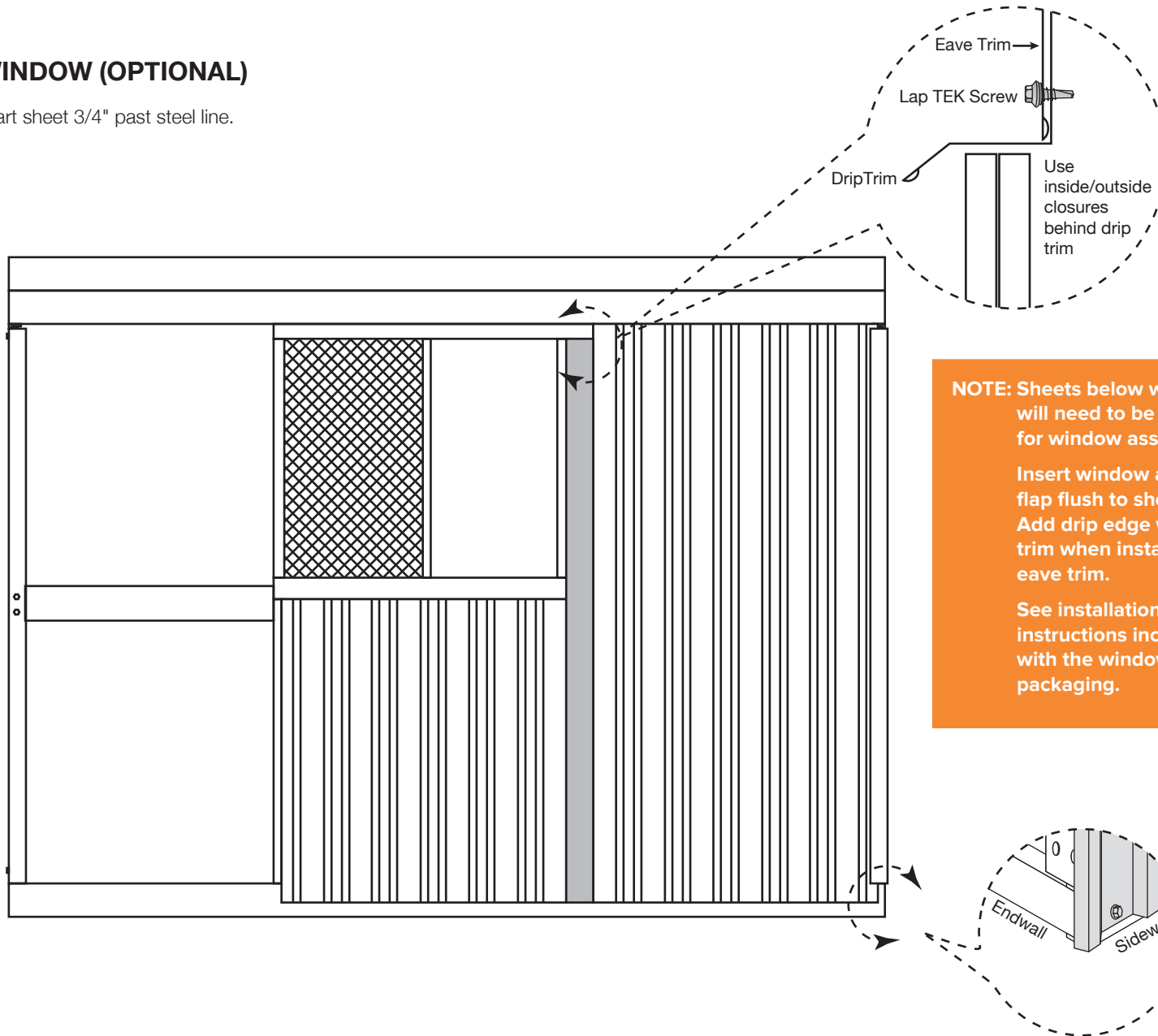
**MAKE SURE THE ASSEMBLY IS SQUARE AND LEVEL**



Make sure the assembly is square. Assembly is square when the corner to corner measurements are equal. Use temporary bracing (not included) to hold assembly square if required.

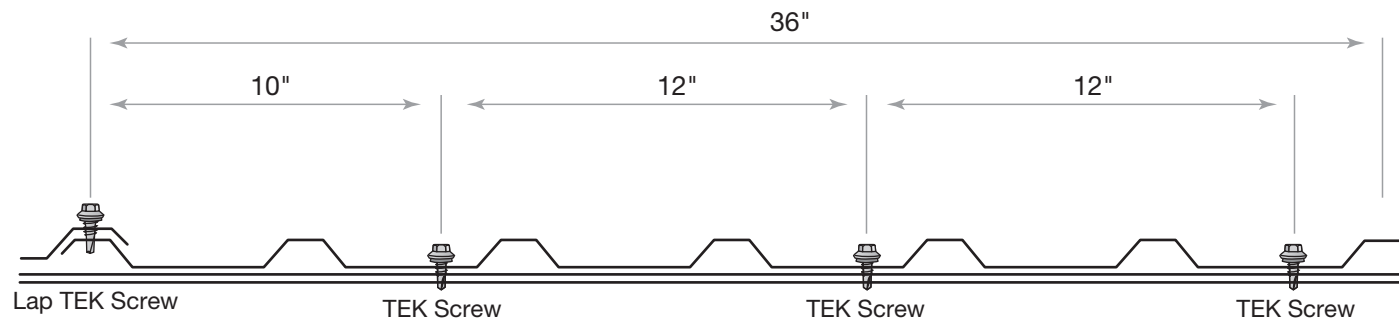
### WINDOW (OPTIONAL)

Start sheet 3/4" past steel line.

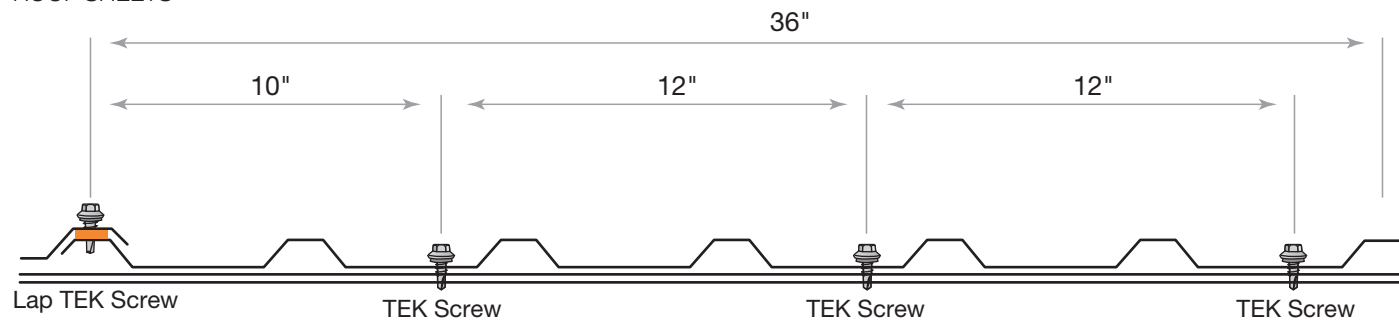


## SHEETING SCREW PLACEMENT

### WALL SHEETS



### ROOF SHEETS



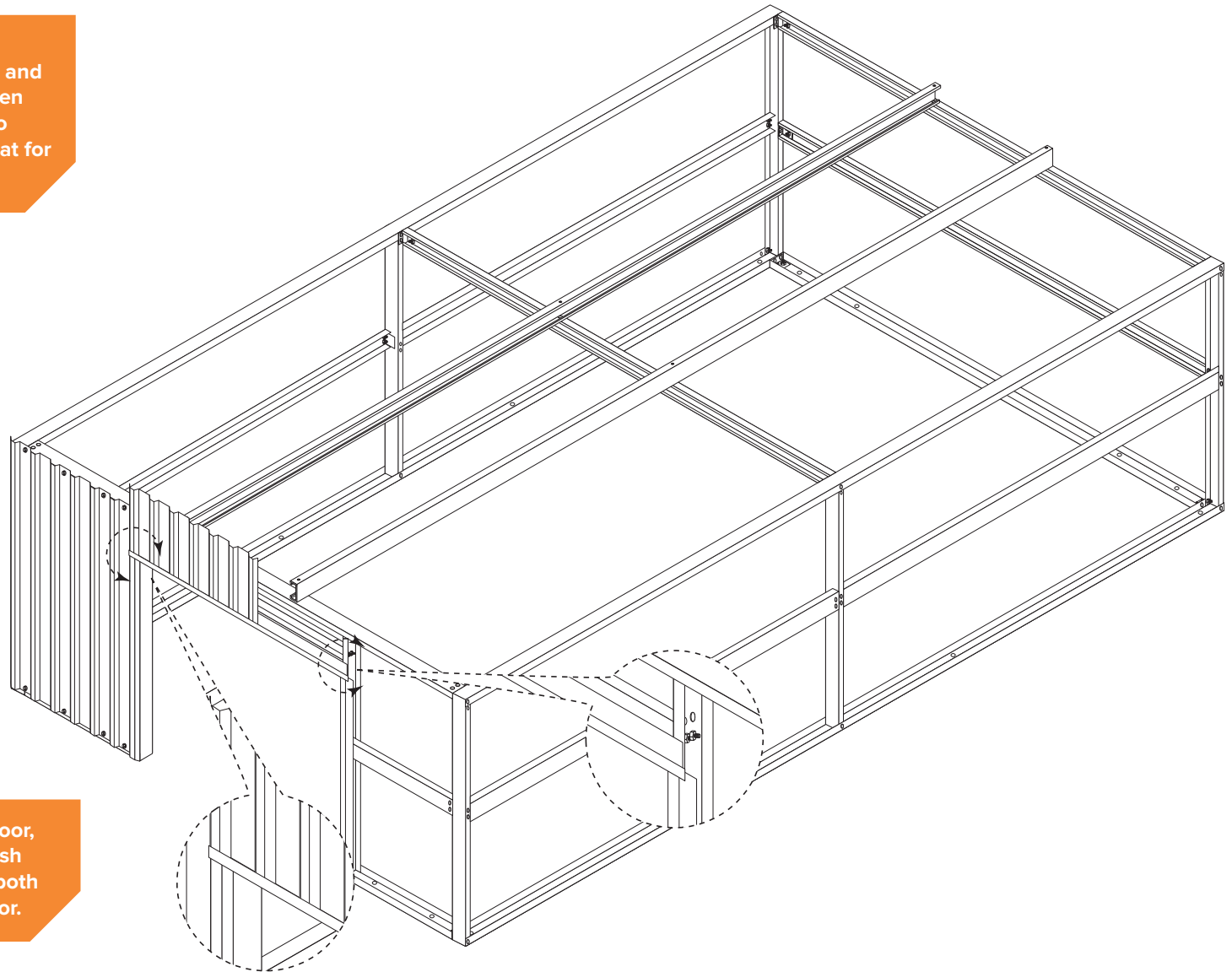
**Place sealer tape between roof sheets only.**

**NOTE:** Make sure to use TEK screws to attach sheets to purlins, lap TEK screws to attach sheets to sheets.



## SHEETING

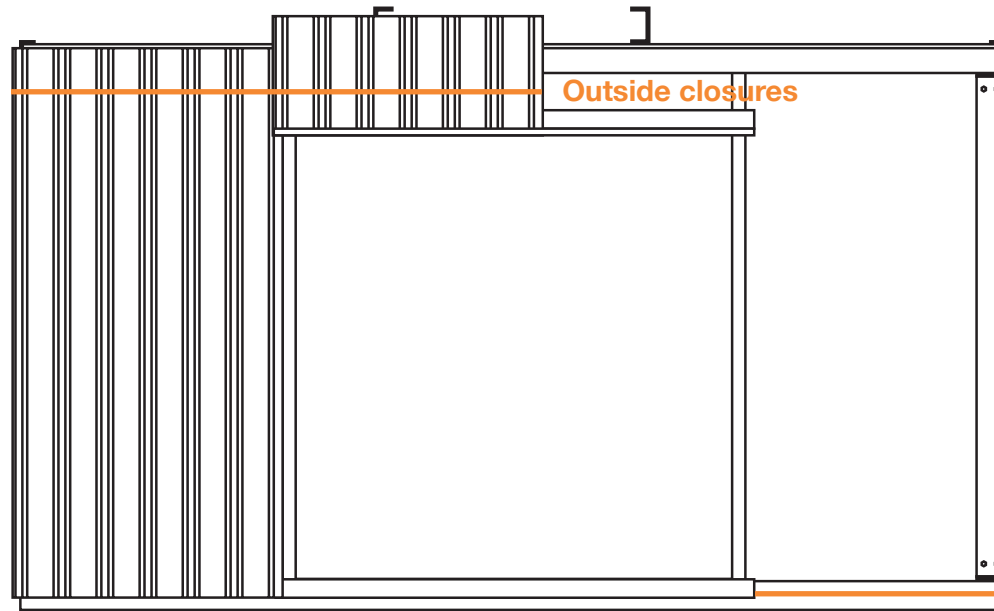
**NOTE:** Make sure the frame is plumb and level, and tighten all bolts prior to sheeting. Repeat for each wall.



**NOTE:** For side with door, start sheets flush with J-trim on both sides of the door.

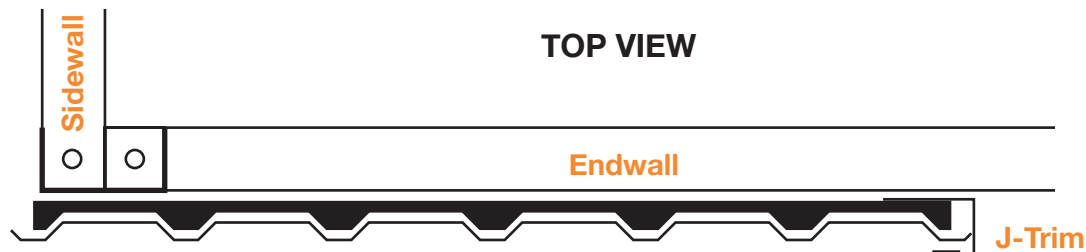
### SHEETING ENDWALL WITH RUD DOOR

To install the RUD, see the RUD video and instructions.



**NOTE:** If using optional walk door, set jamb trim inside measurement at 5' 10 1/8".

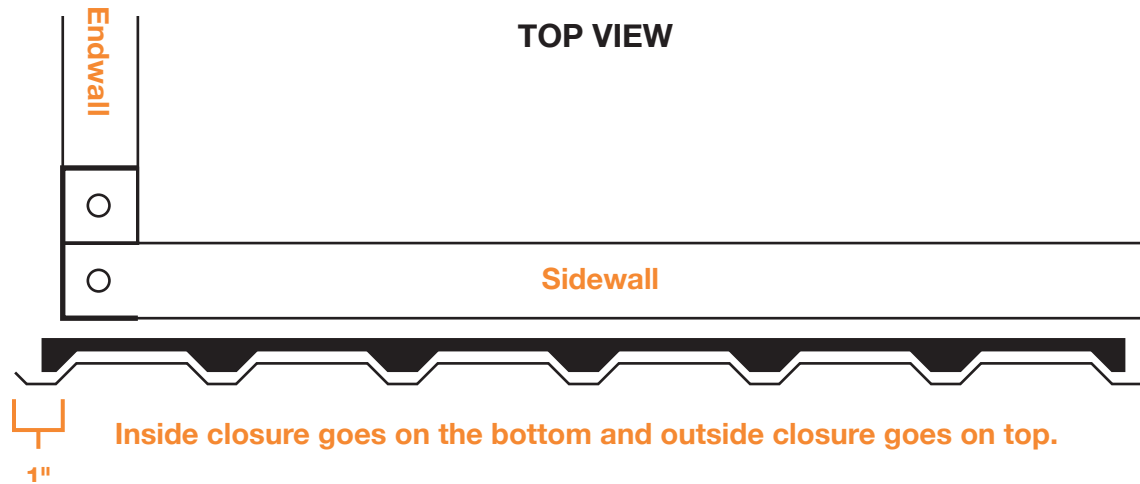
Inside closures



Inside closure goes on the bottom and outside closure goes on top.

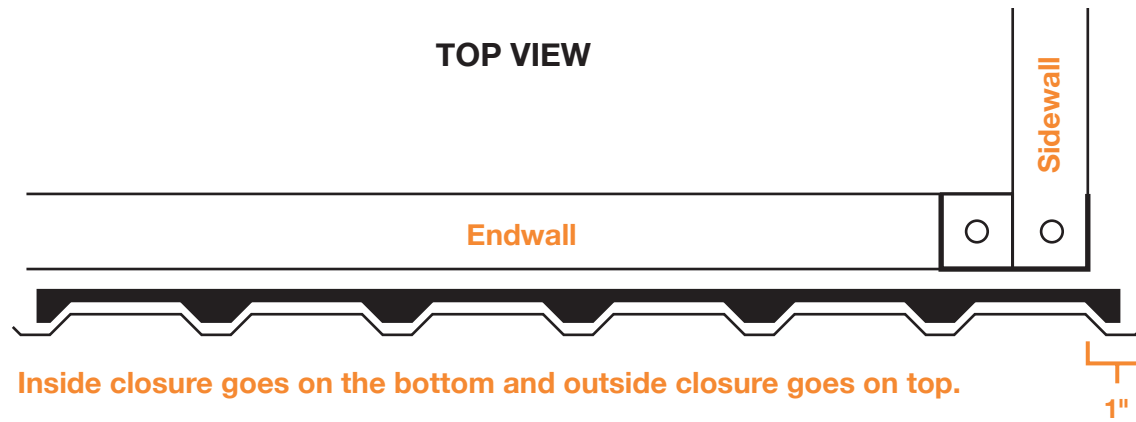
**NOTE:** Start sheets inside of J-Trim

## SHEETING SIDEWALL



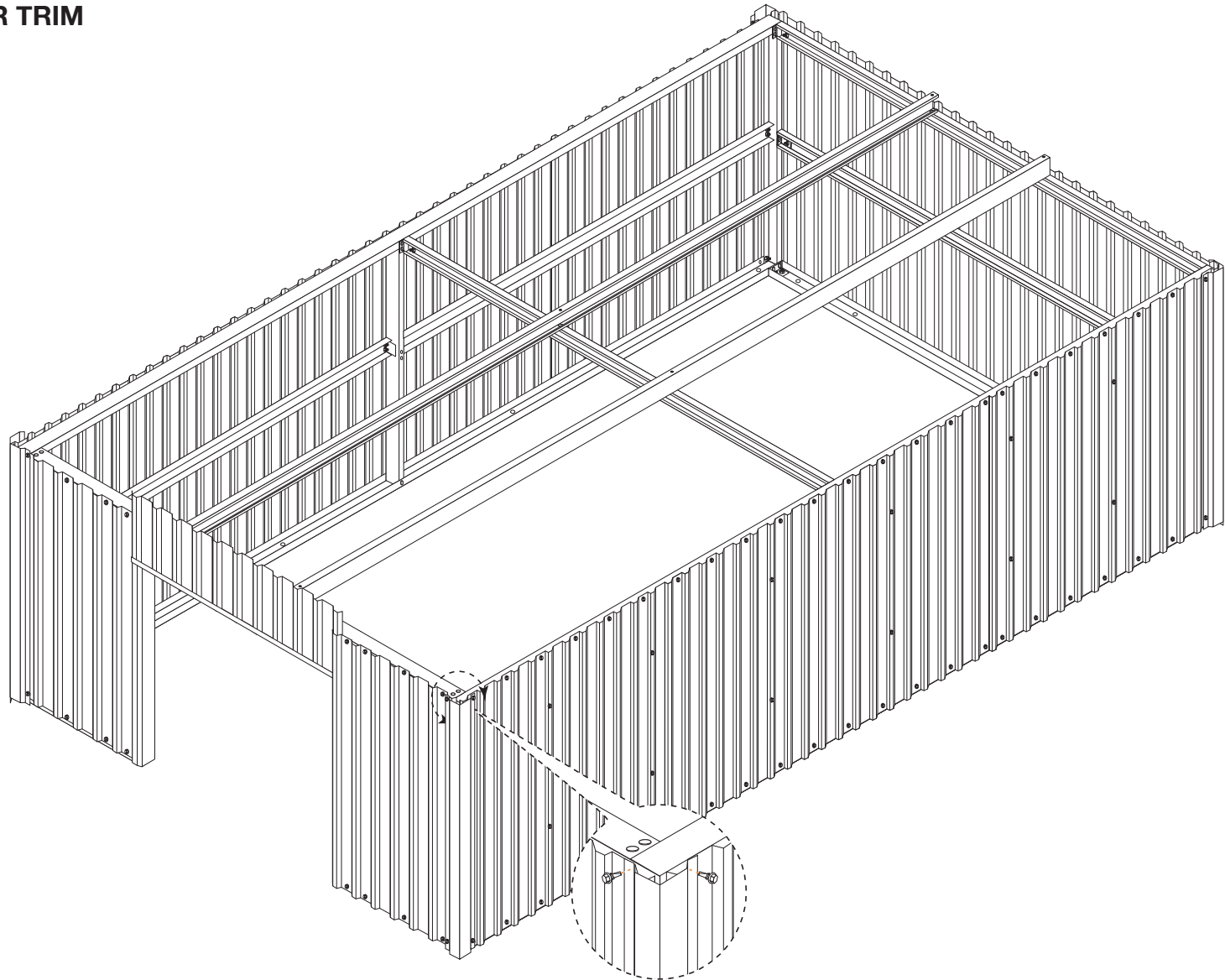
**NOTE:** Start sheets 1" out from endwall

## SHEETING ENDWALL WITHOUT DOOR



**NOTE:** Start sheets 1" out from the sidewall

## CORNER TRIM

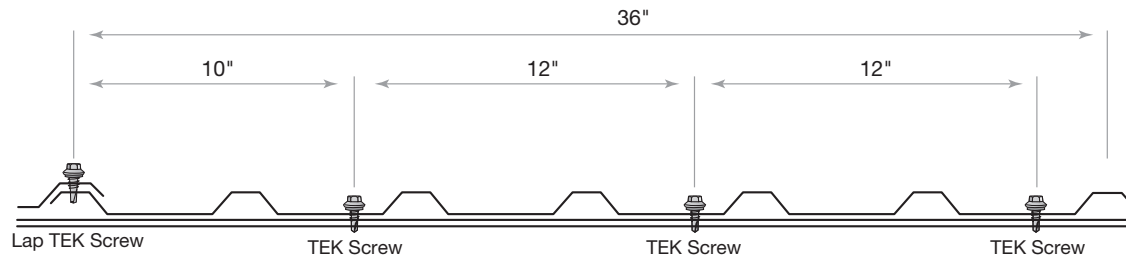
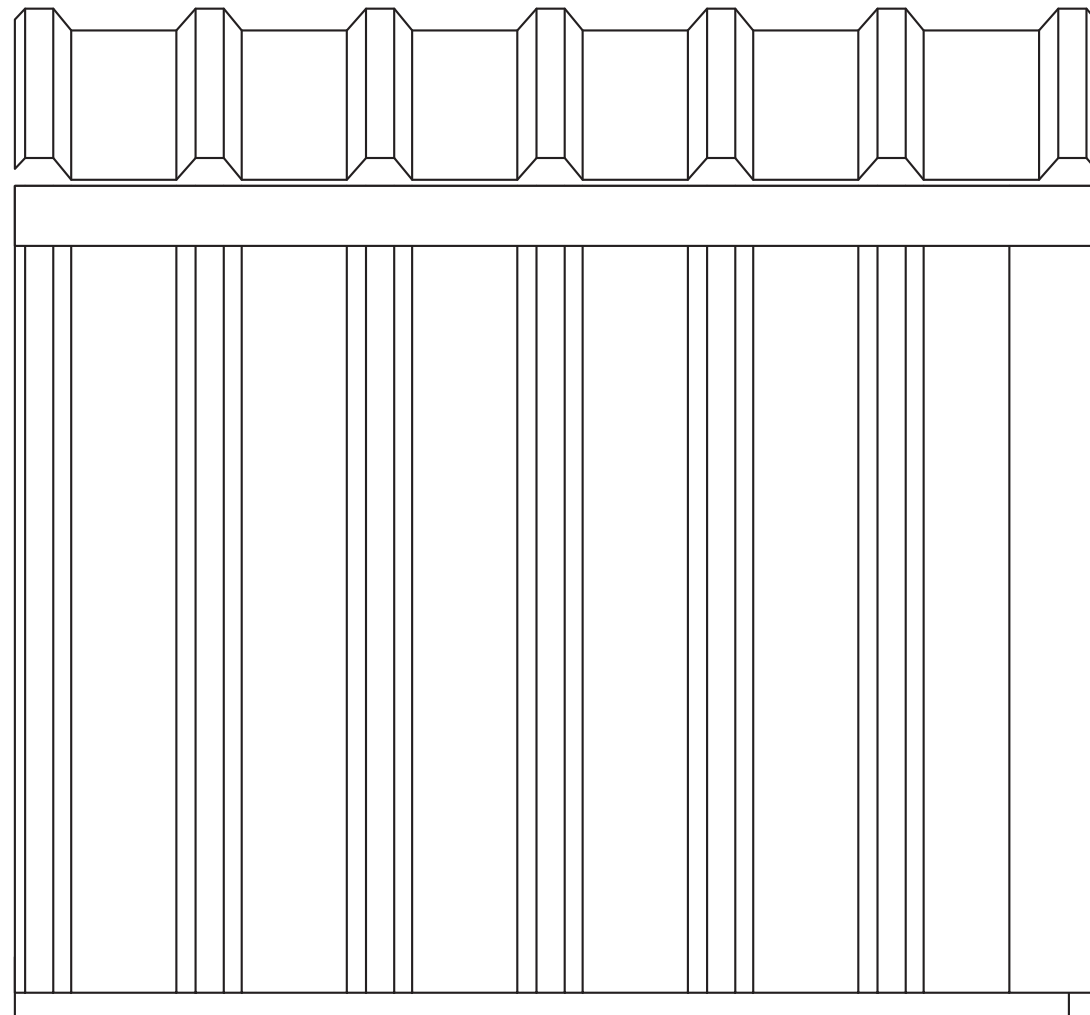


### BACK SIDE WALL

Roof to wall sheet alignment

Align major ribs from wall to major rib on roof

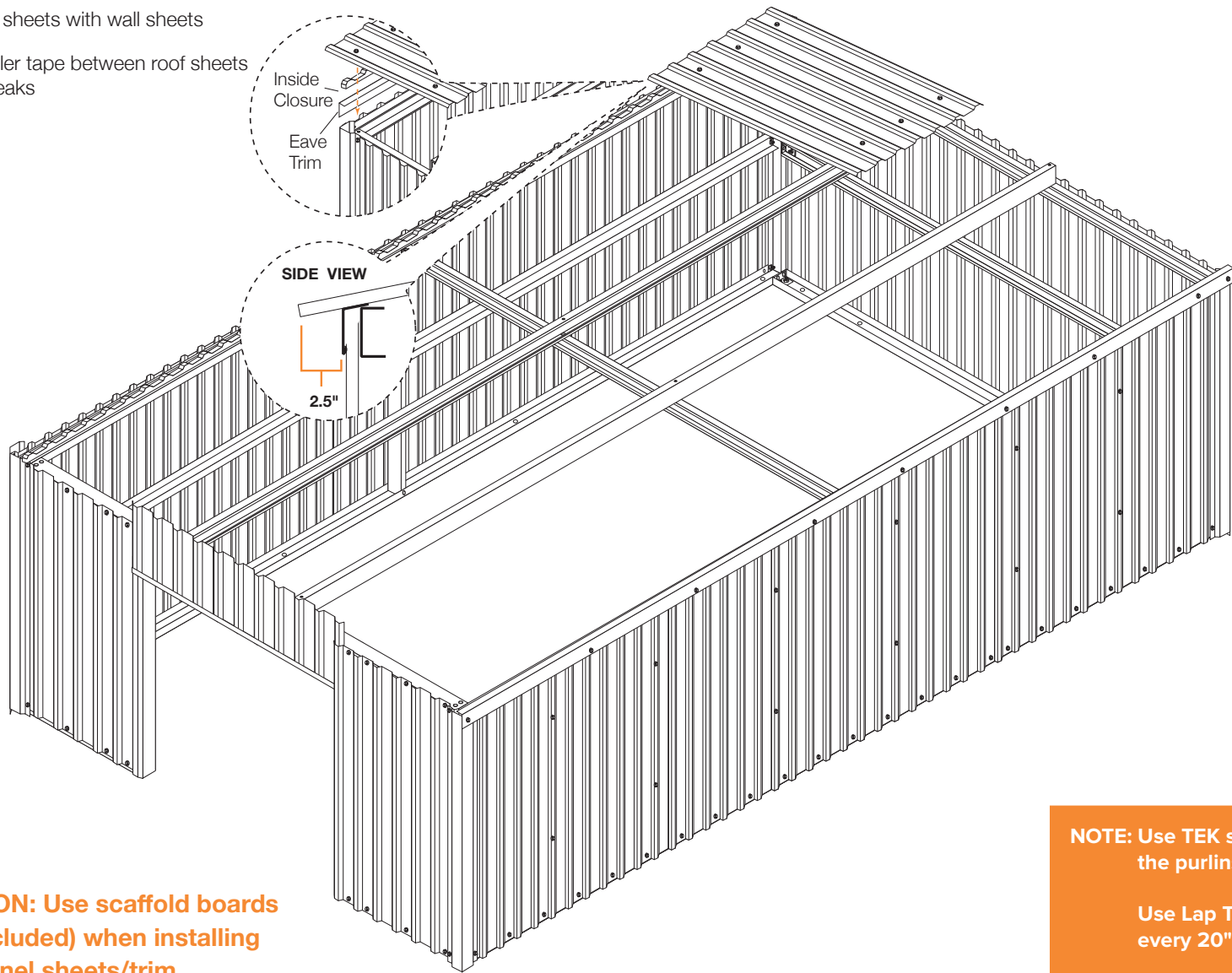
**NOTE:** Make sure panels remain square during installation.



## SHEETING THE ROOF

Align roof sheets with wall sheets

Place sealer tape between roof sheets to avoid leaks



**CAUTION:** Use scaffold boards (not included) when installing roof panel sheets/trim

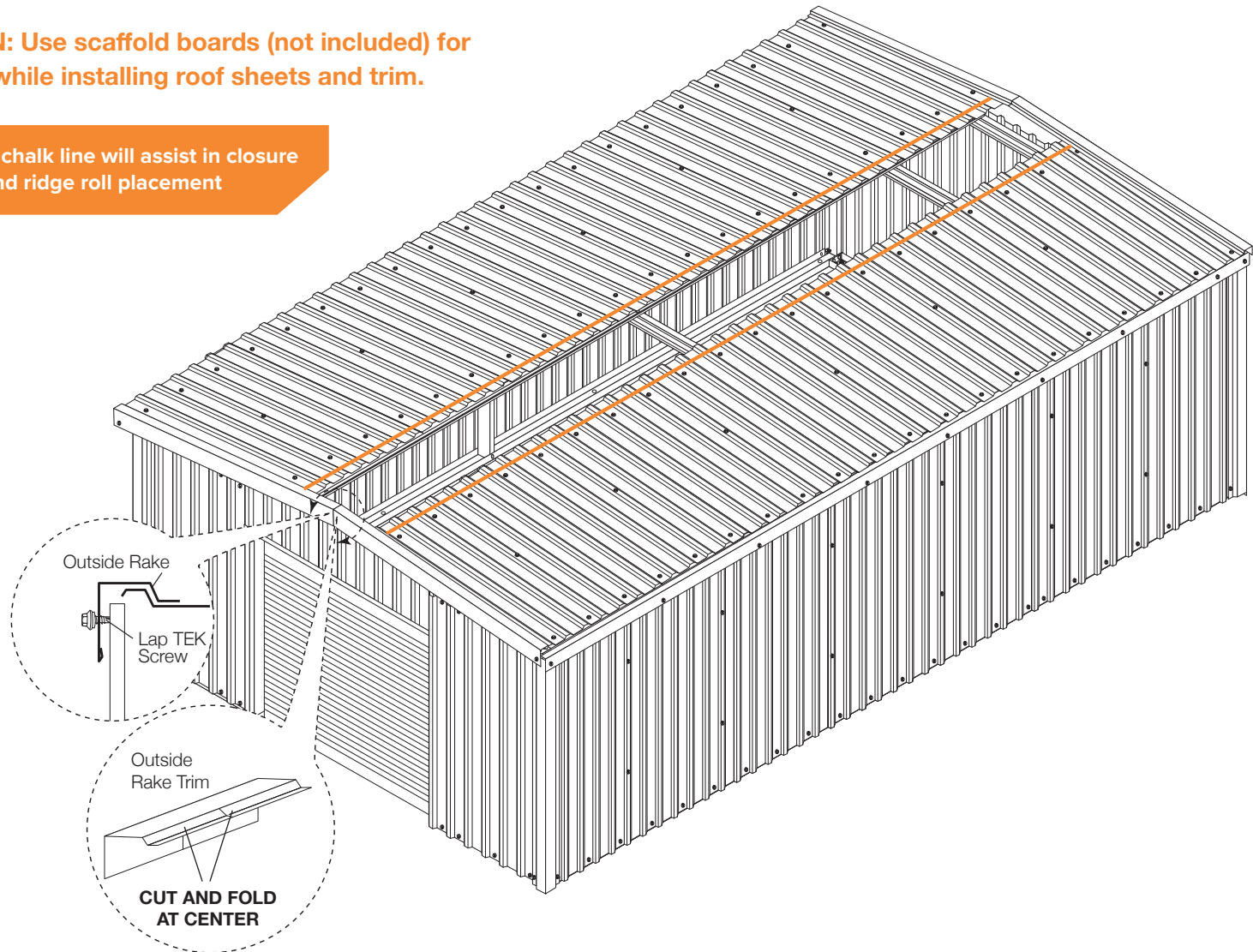
**NOTE:** Use TEK screws at the purlins

Use Lap TEK screws every 20" vertically

## ROOFING TRIM DETAILS

**CAUTION:** Use scaffold boards (not included) for support while installing roof sheets and trim.

**NOTE:** A chalk line will assist in closure and ridge roll placement

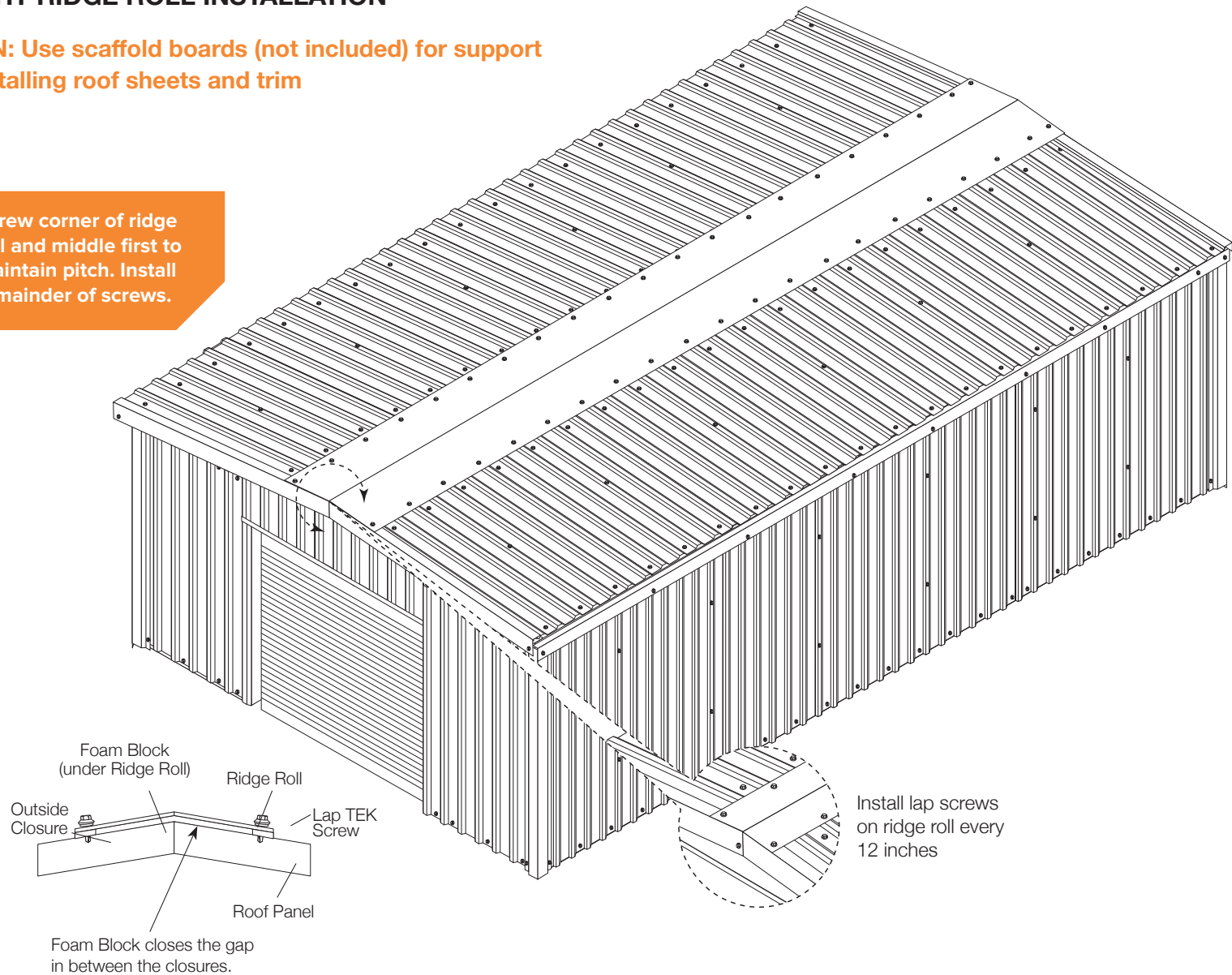




## SKYLIGHT RIDGE ROLL INSTALLATION

**CAUTION:** Use scaffold boards (not included) for support while installing roof sheets and trim

**HINT:** Screw corner of ridge roll and middle first to maintain pitch. Install remainder of screws.



### TOTAL BUILDING MEASUREMENTS

