

Slab Mounted: 24' x 24' x 8' Backyard Building with Optional Center Girts Instructions

Mueller Backyard Building Kits are not engineered structures and do not meet any specific building code criteria.
For video installation instructions, visit our website at www.muellerinc.com/downloads-home/videos-home

877-2- MUELLER • www.muellerinc.com



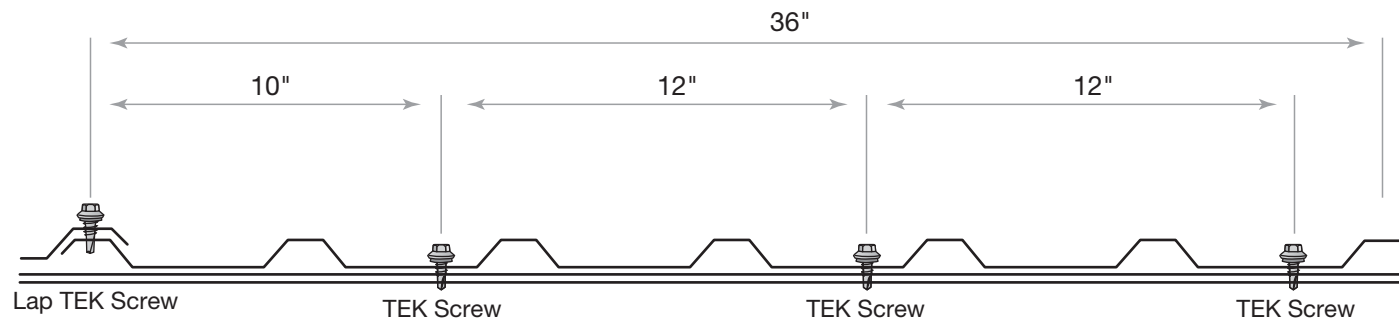
PARTS LIST

Refer to the parts list on the itemized invoice delivered with your building. All parts are stenciled on the inside of the channel, purlin, girts and rafters. Example of this below:

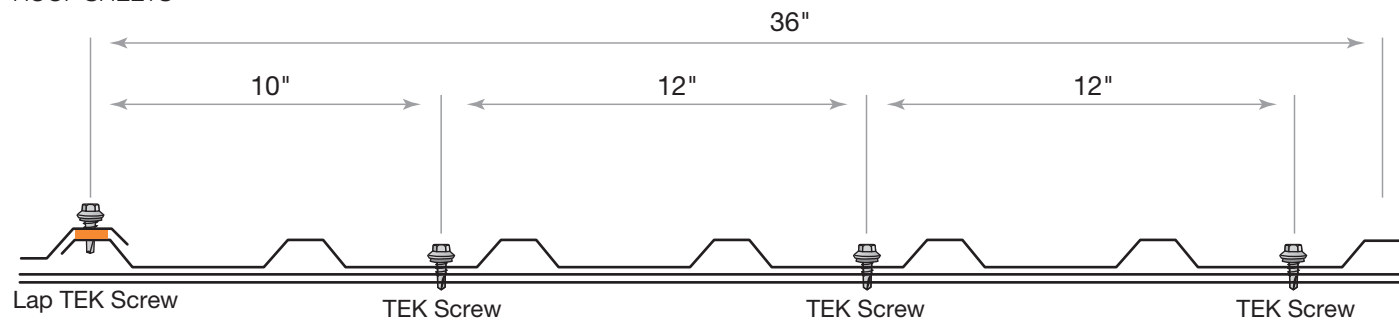


SHEETING SCREW PLACEMENT

WALL SHEETS



ROOF SHEETS

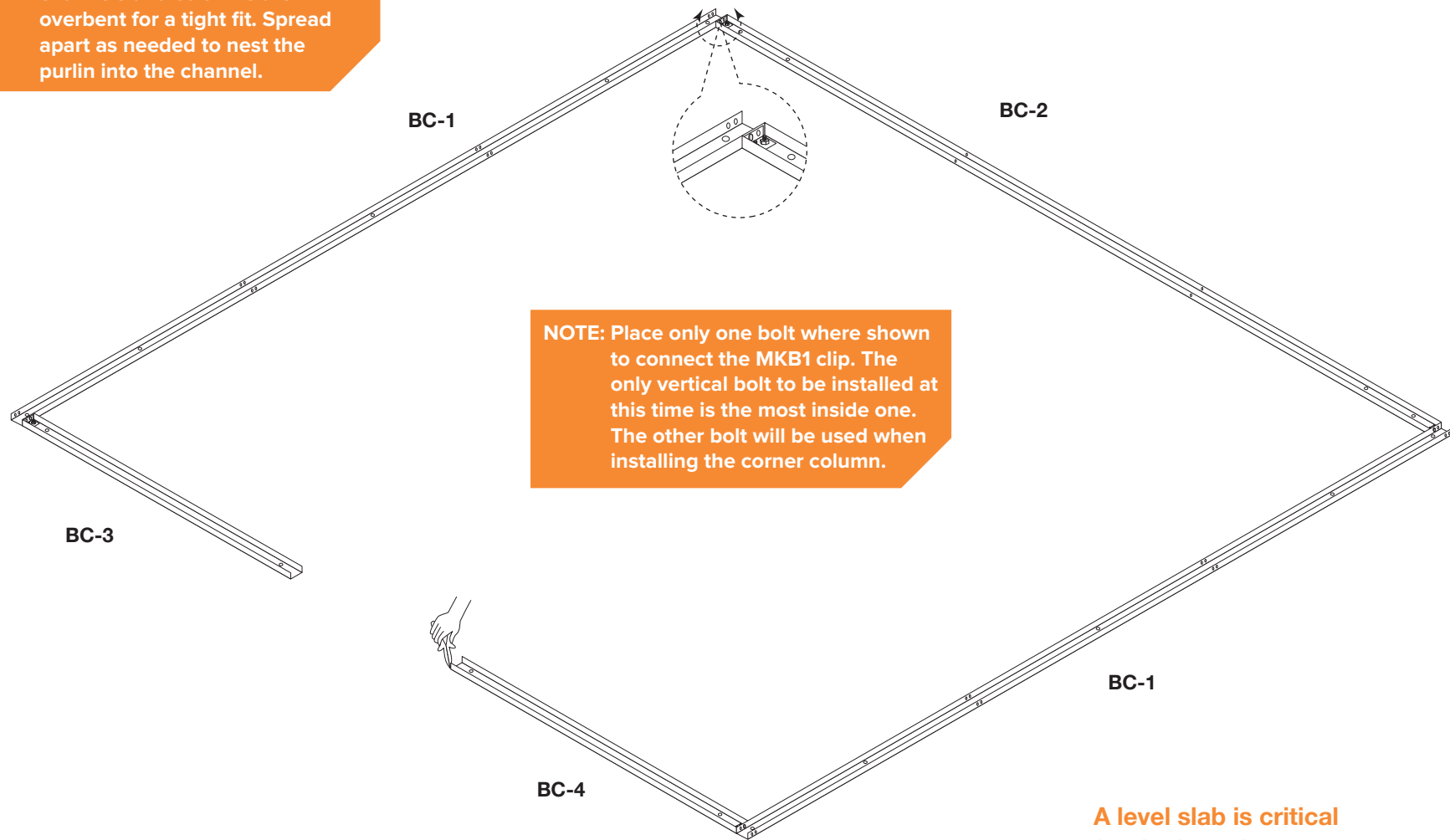


Place sealer tape between roof sheets only.

NOTE: Make sure to use TEK screws to attach sheets to purlins, lap TEK screws to attach sheets to sheets.

BASE LAYOUT (SIDE CHANNEL AND BOT CHAN)

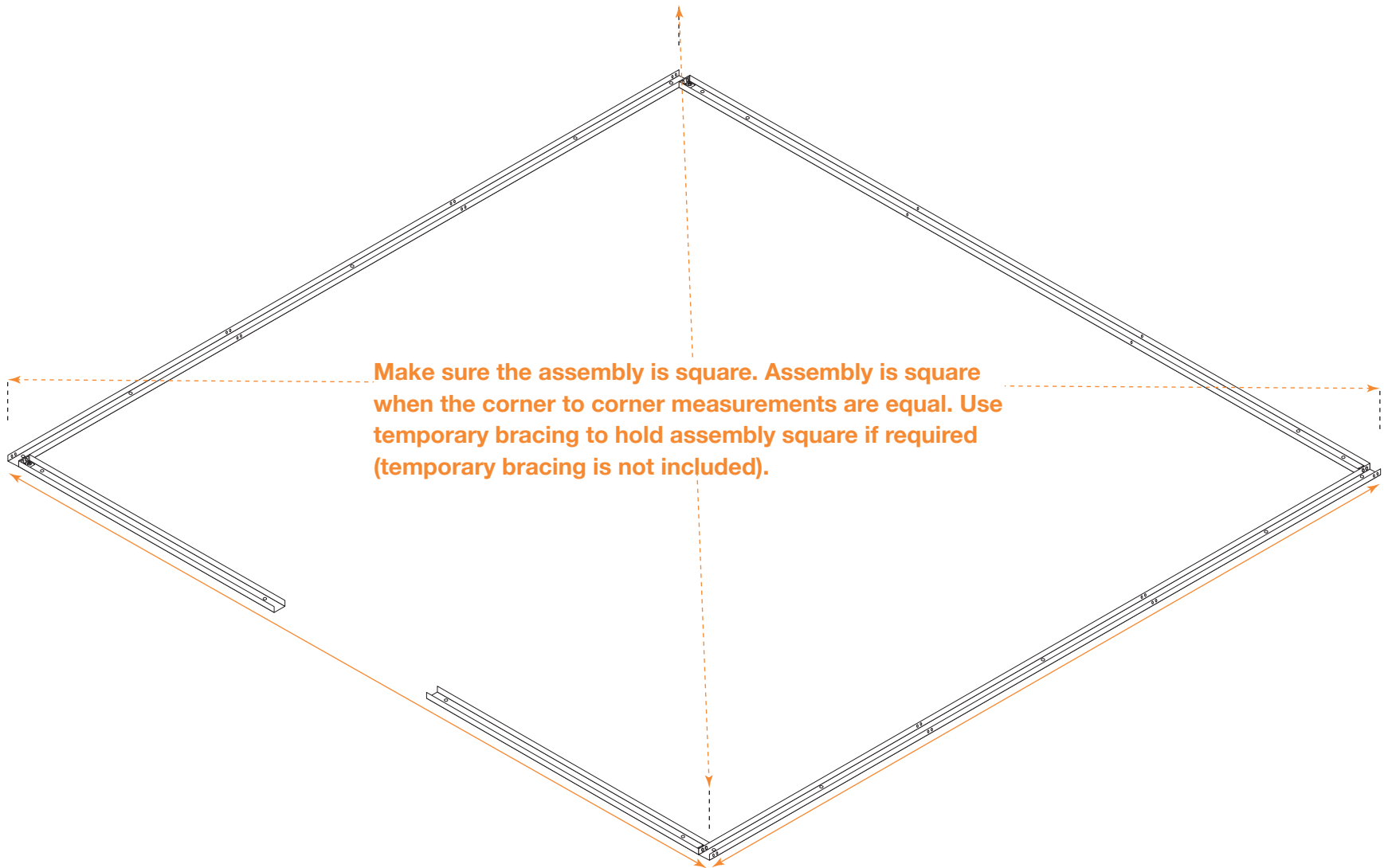
NOTE: Leading and trailing edge of channels and columns are overbent for a tight fit. Spread apart as needed to nest the purlin into the channel.



NOTE: Place only one bolt where shown to connect the MKB1 clip. The only vertical bolt to be installed at this time is the most inside one. The other bolt will be used when installing the corner column.

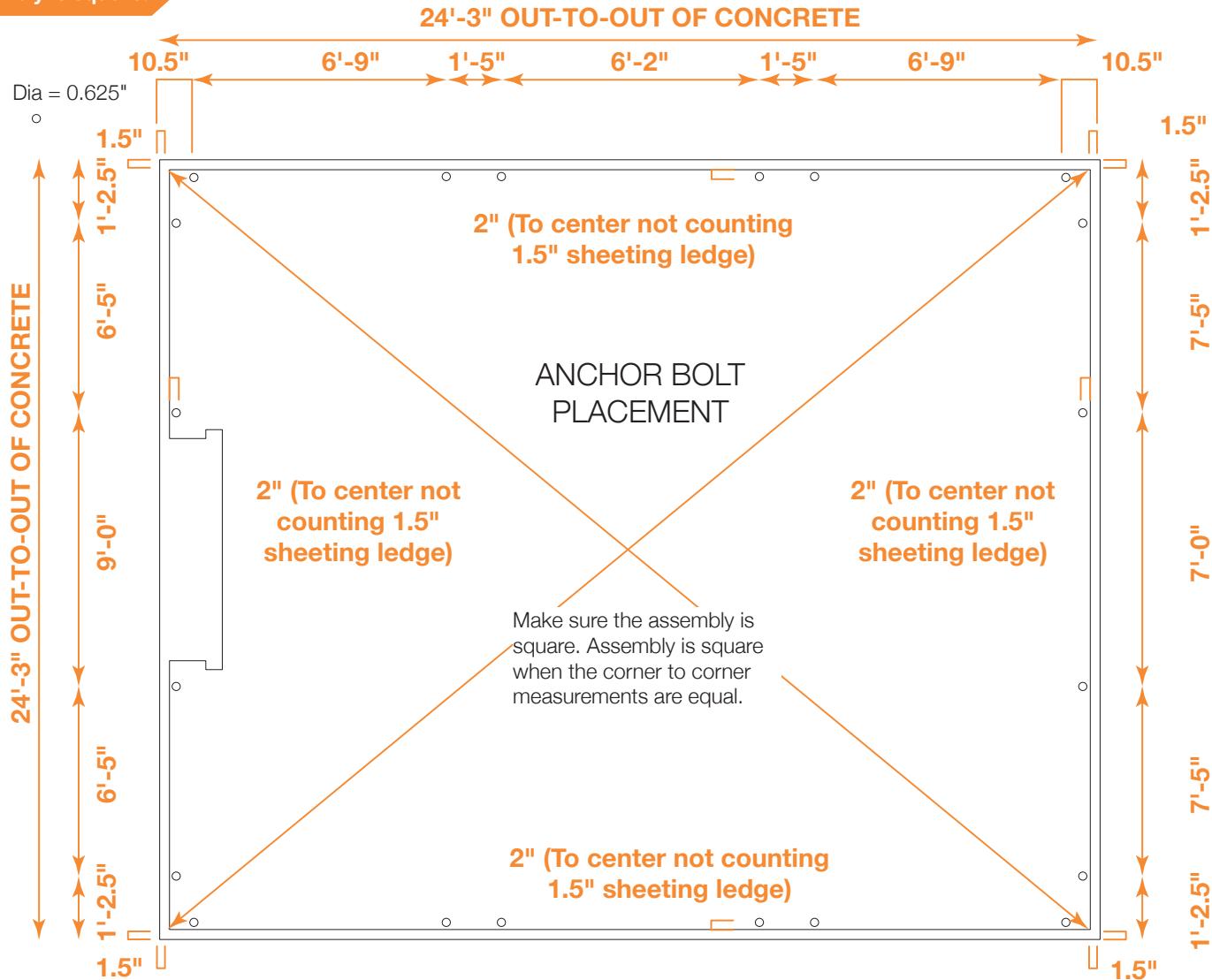
A level slab is critical for the base layout.

MAKE SURE THE ASSEMBLY IS SQUARE

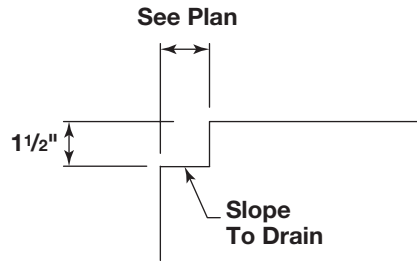


ANCHOR BOLT PLACEMENT

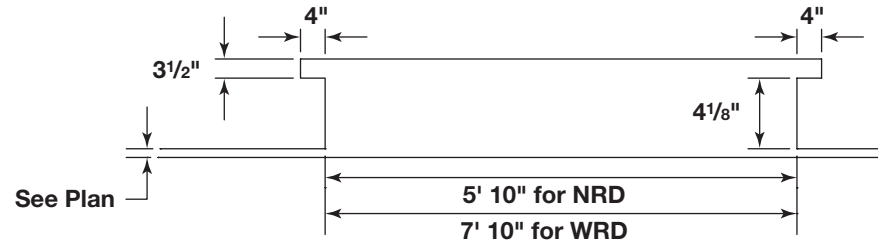
NOTE: Make sure assembly is square.



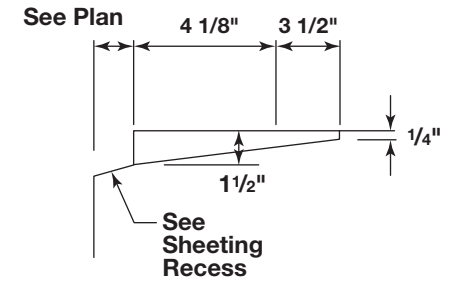
ANCHOR BOLT PLACEMENT DETAILS



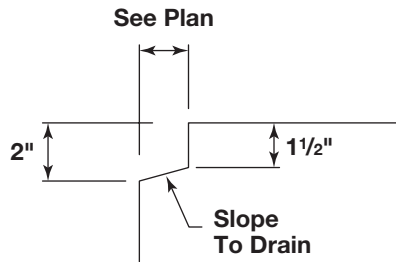
TYP. SHEETING RECESS WITH BASE DRIP EDGE TRIM



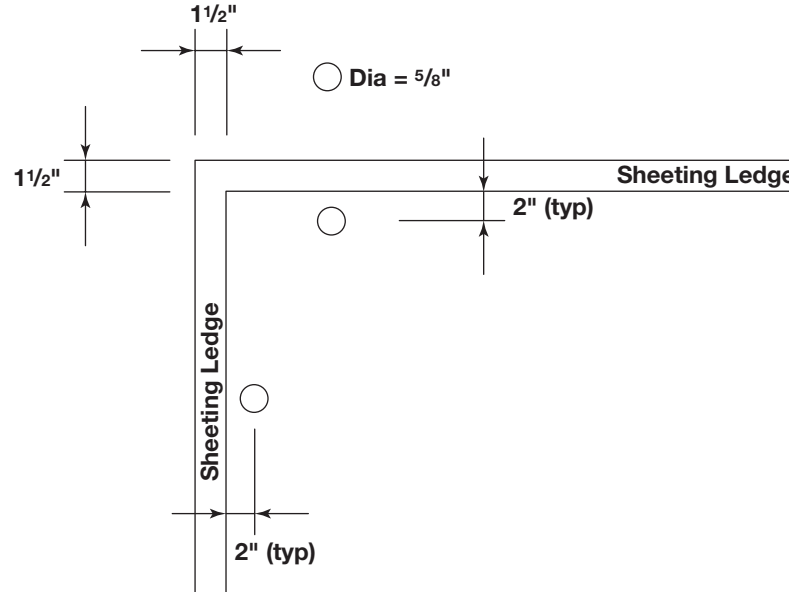
TYP. ROLL UP DOOR RECESS LAYOUT



TYP. ROLL UP DOOR RECESS

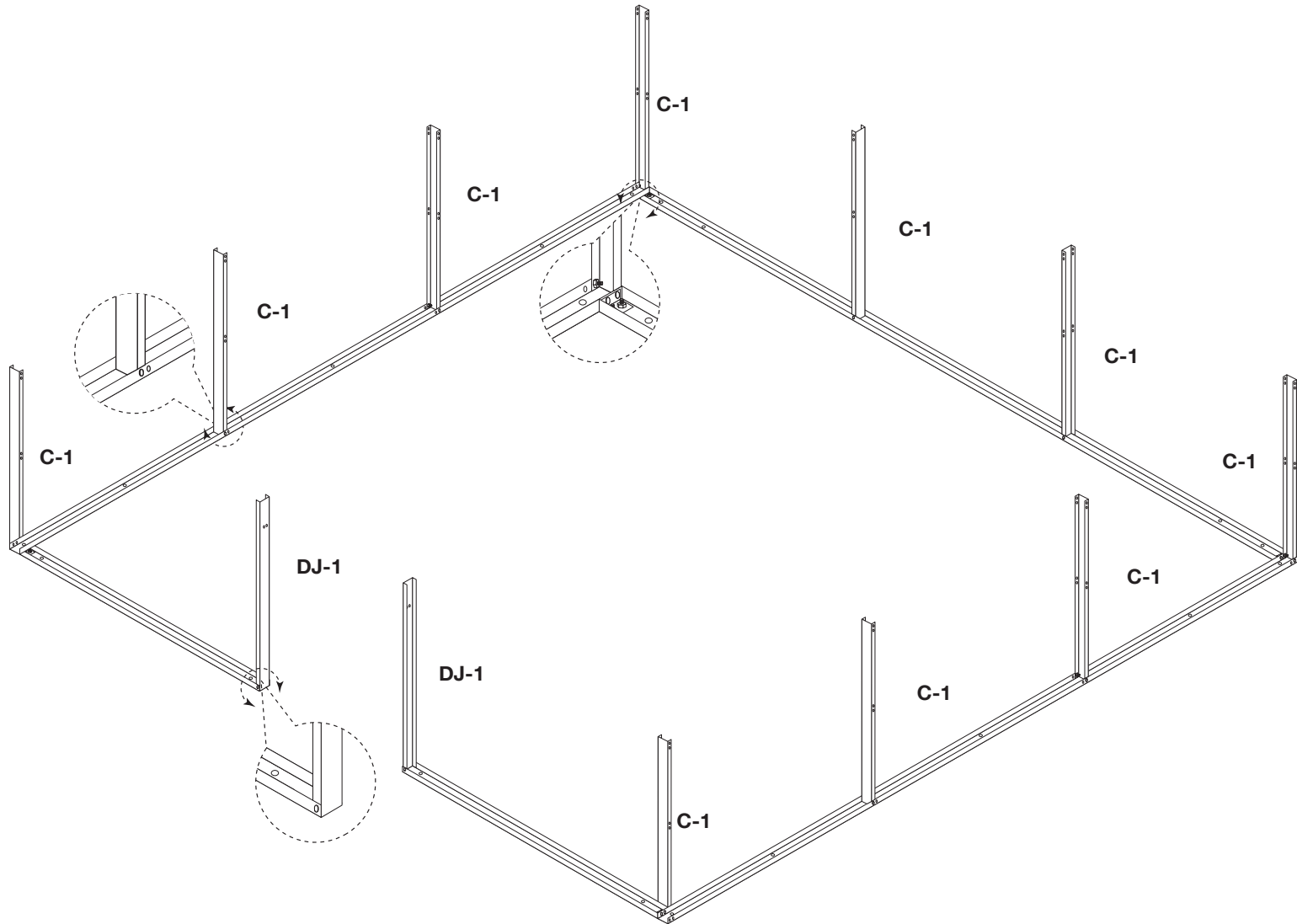


TYP. SHEETING RECESS WITHOUT BASE DRIP EDGE TRIM

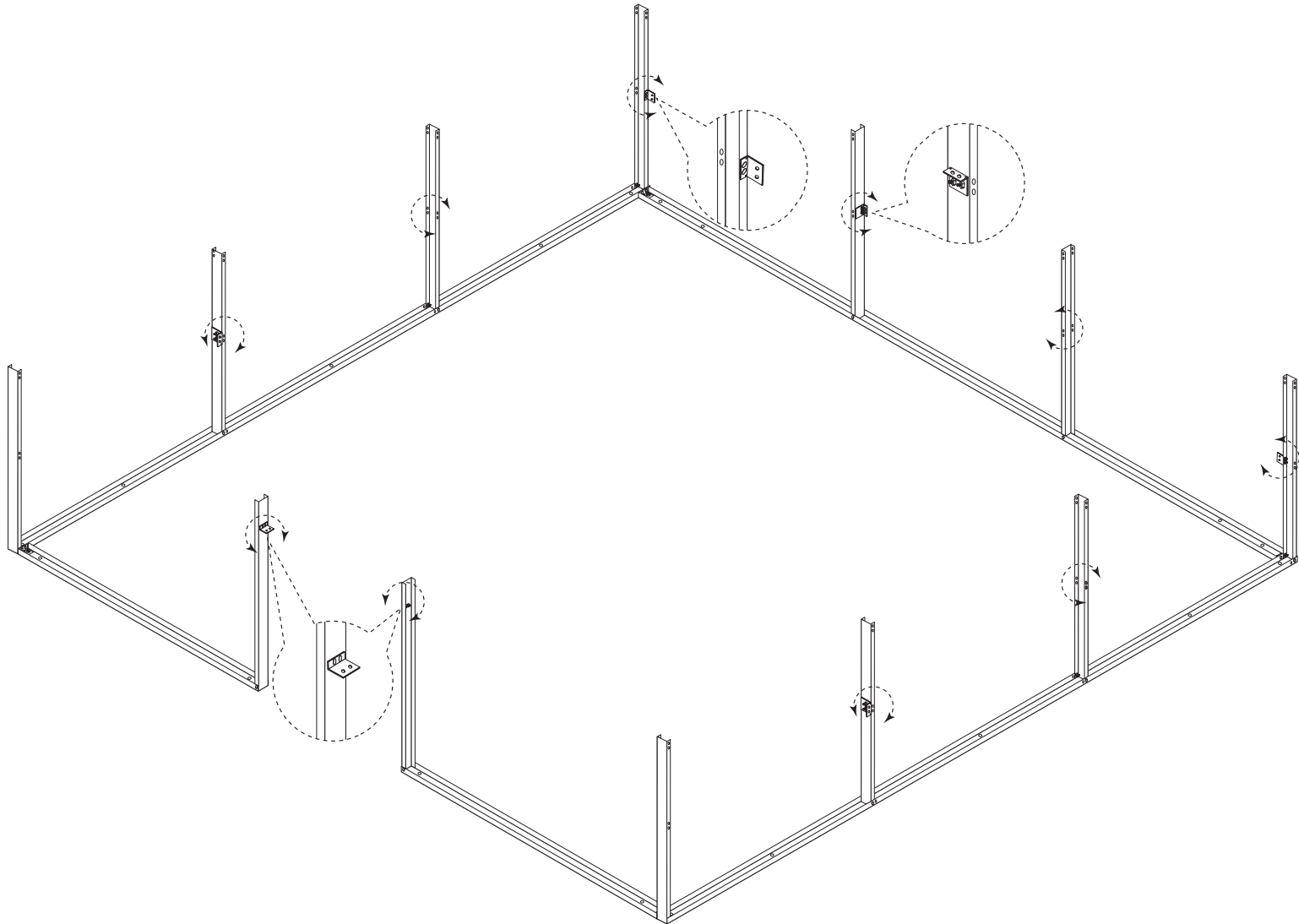


NOTE: One of the methods must be used. See erection details for additional information.

ERECTING COLUMNS (C-1)

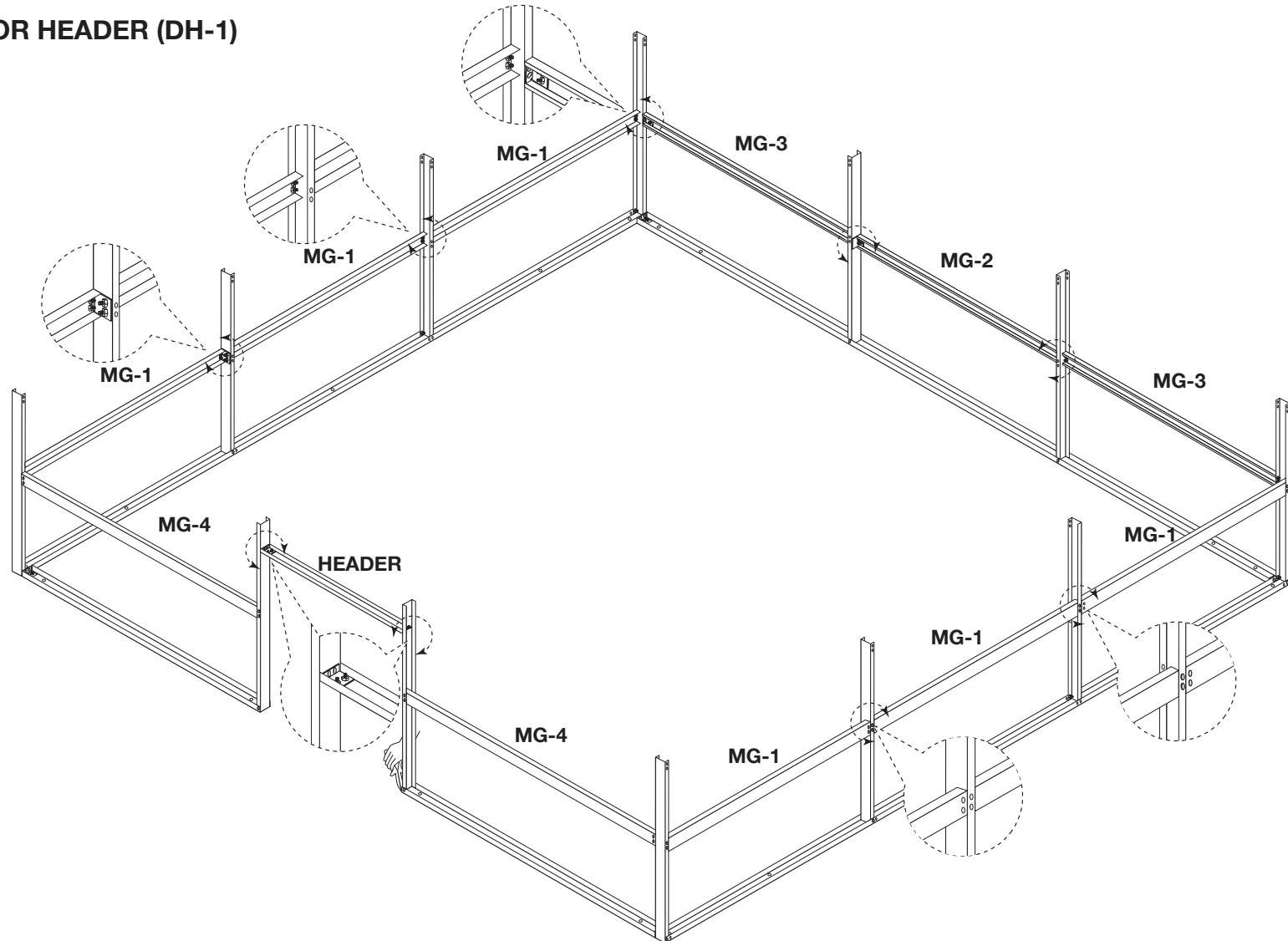


MKB1 CLIPS TO COLUMNS

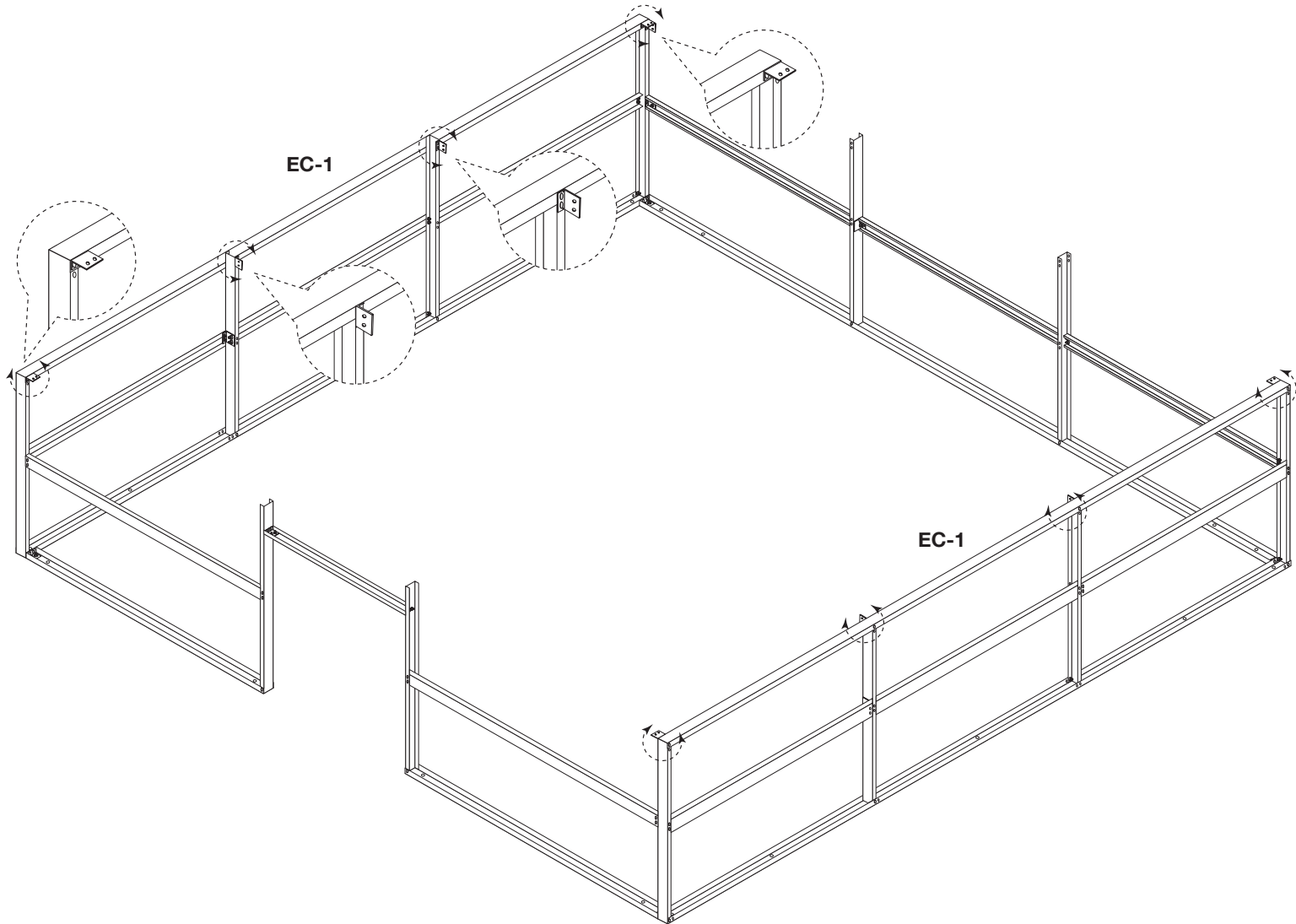


**MID-GIRTS
(OPTIONAL MG-1, MG-2, MG-3 AND MG-4)**

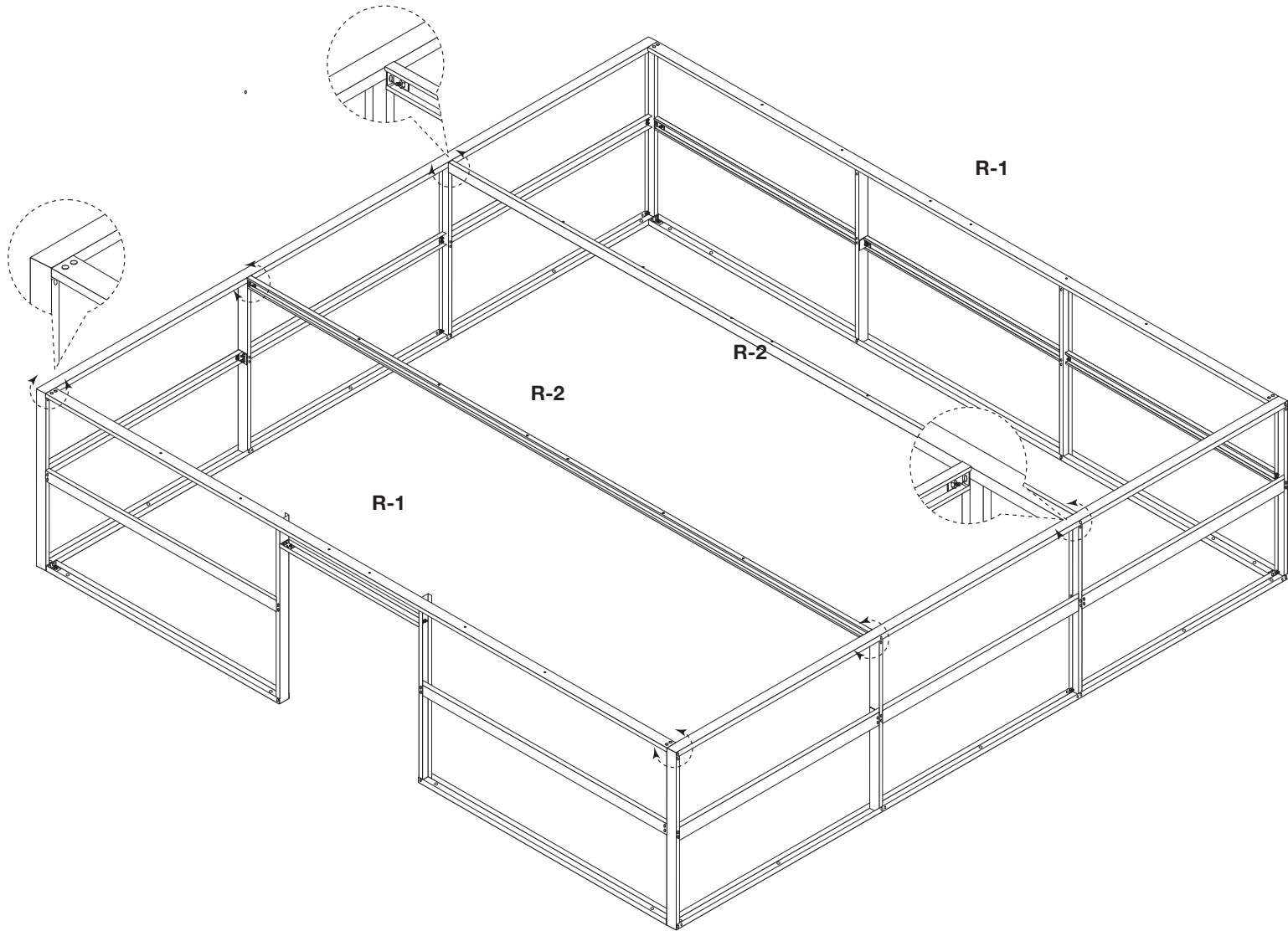
DOOR HEADER (DH-1)



EAVE CHANNEL (EC-1)



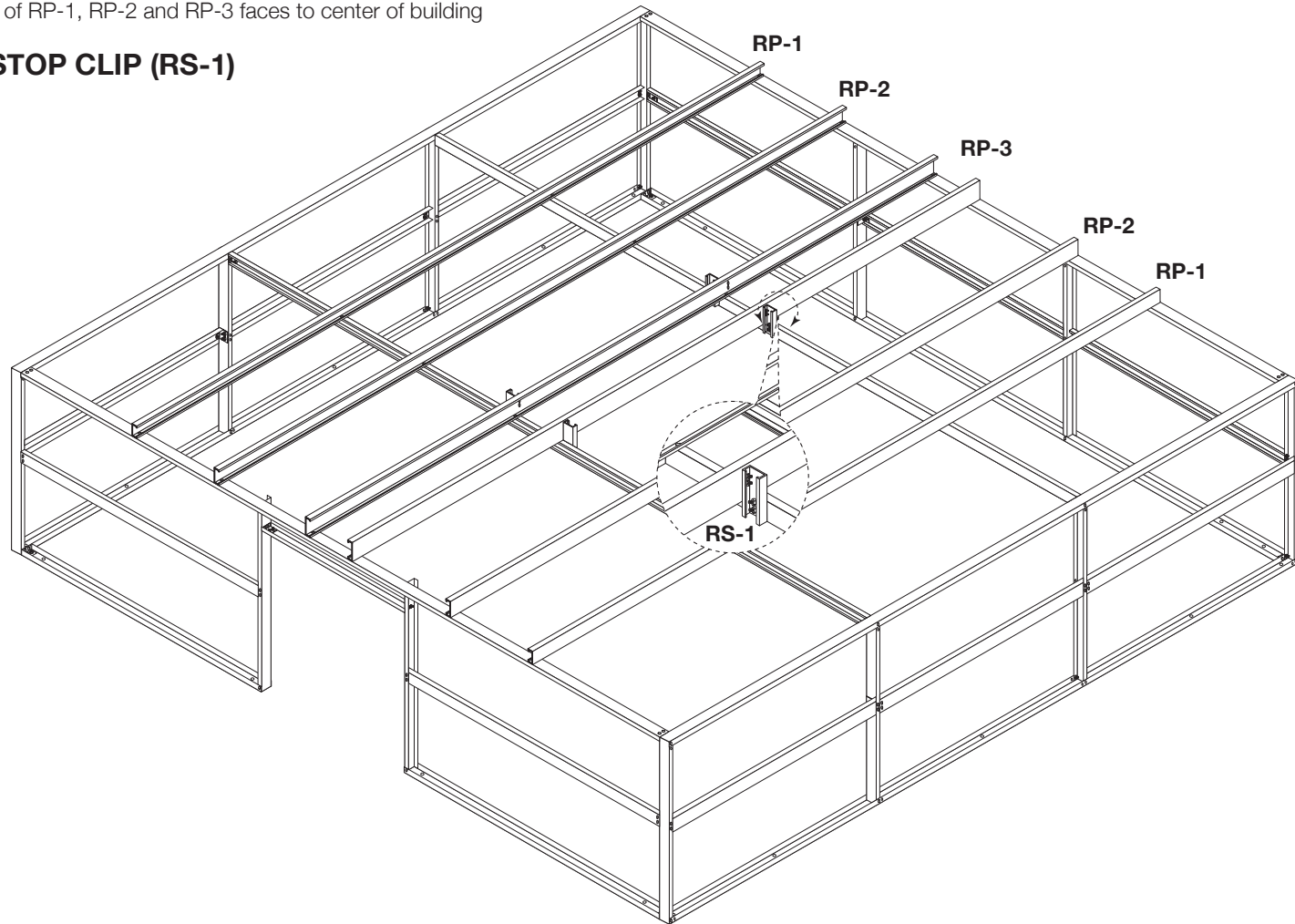
RAFTERS (R-1 AND R-2)



ROOF PURLIN (RP-1, RP-2 AND RP-3)

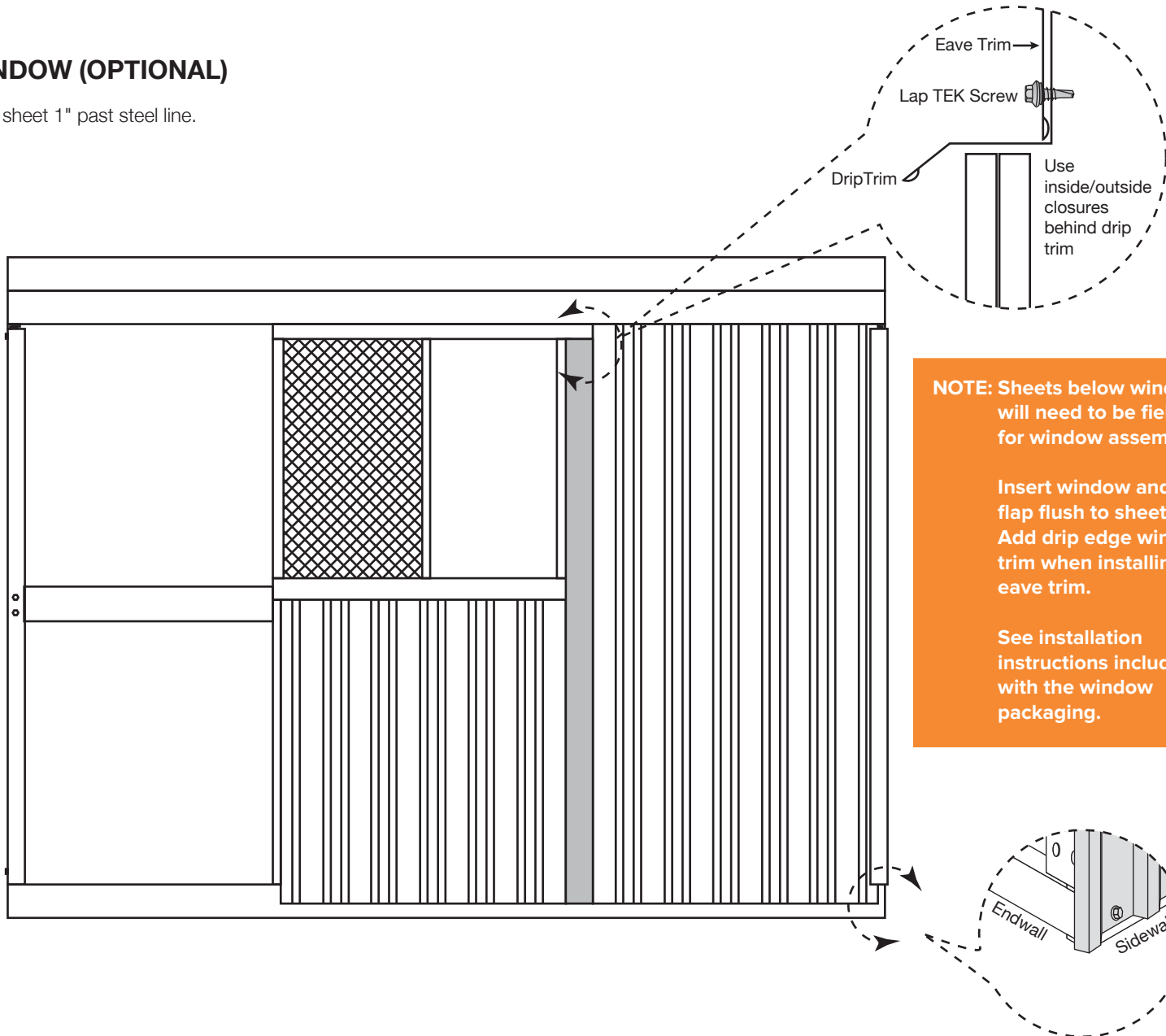
Open side of RP-1, RP-2 and RP-3 faces to center of building

ROLL STOP CLIP (RS-1)



WINDOW (OPTIONAL)

Start sheet 1" past steel line.



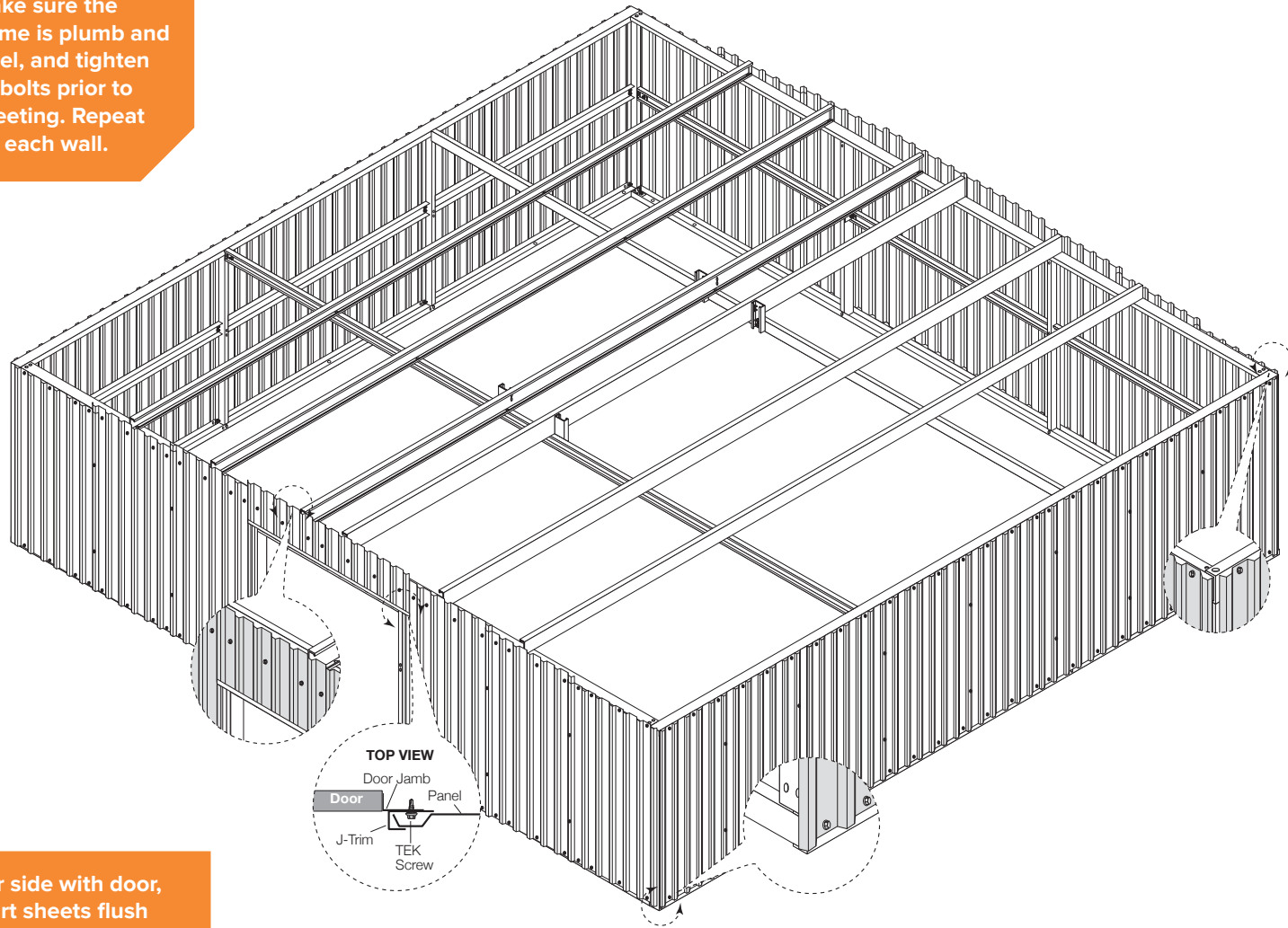
NOTE: Sheets below window will need to be field cut for window assembly.

Insert window and flap flush to sheet. Add drip edge window trim when installing eave trim.

See installation instructions included with the window packaging.

SHEETING

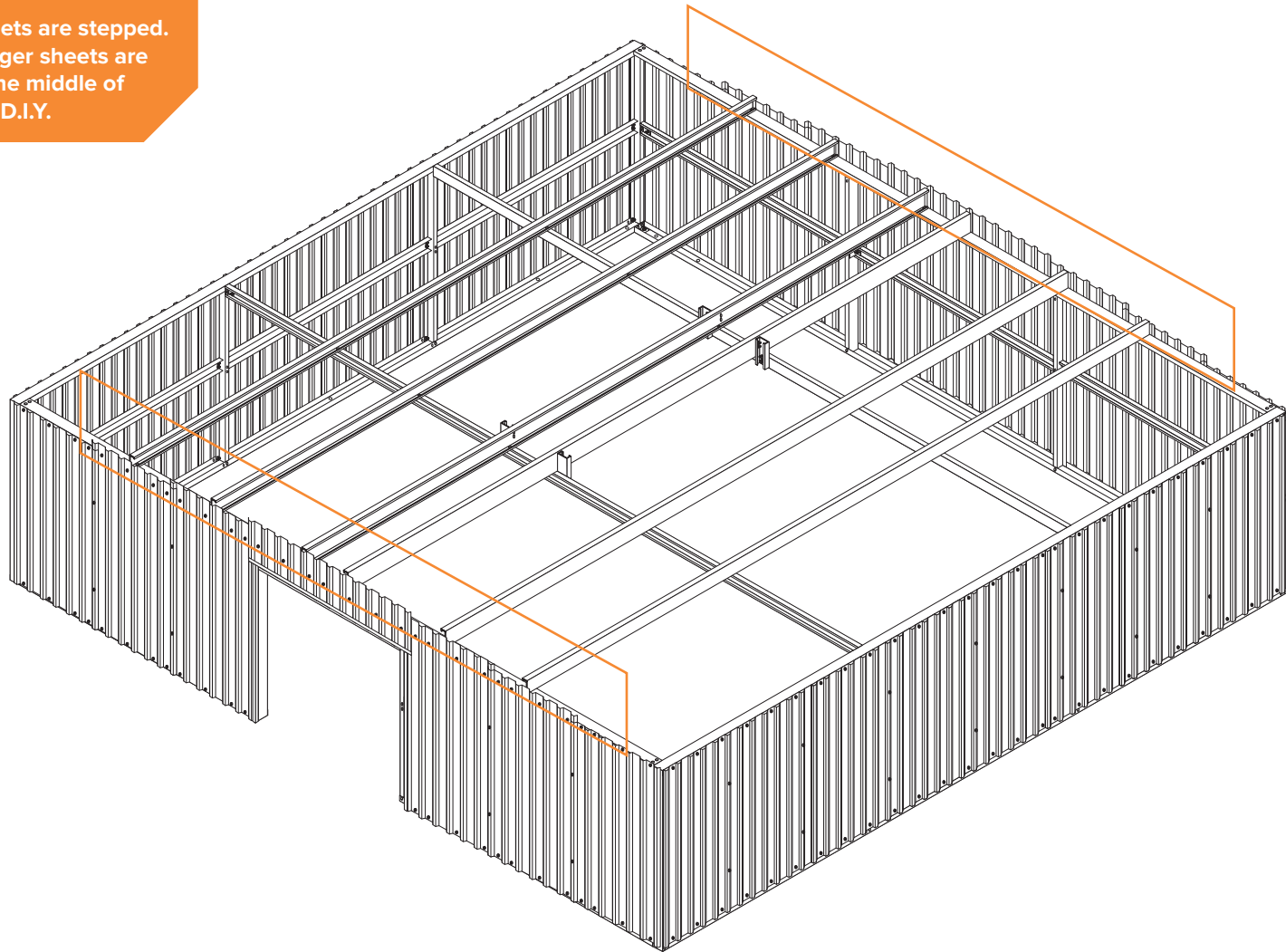
NOTE: Make sure the frame is plumb and level, and tighten all bolts prior to sheeting. Repeat for each wall.



NOTE: For side with door, start sheets flush with J-trim on both sides of the door.

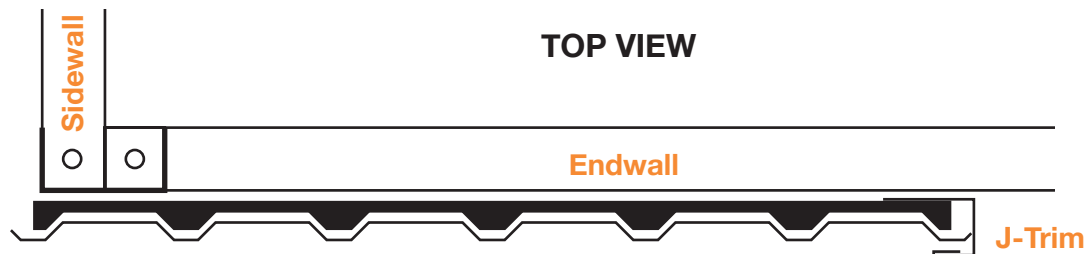
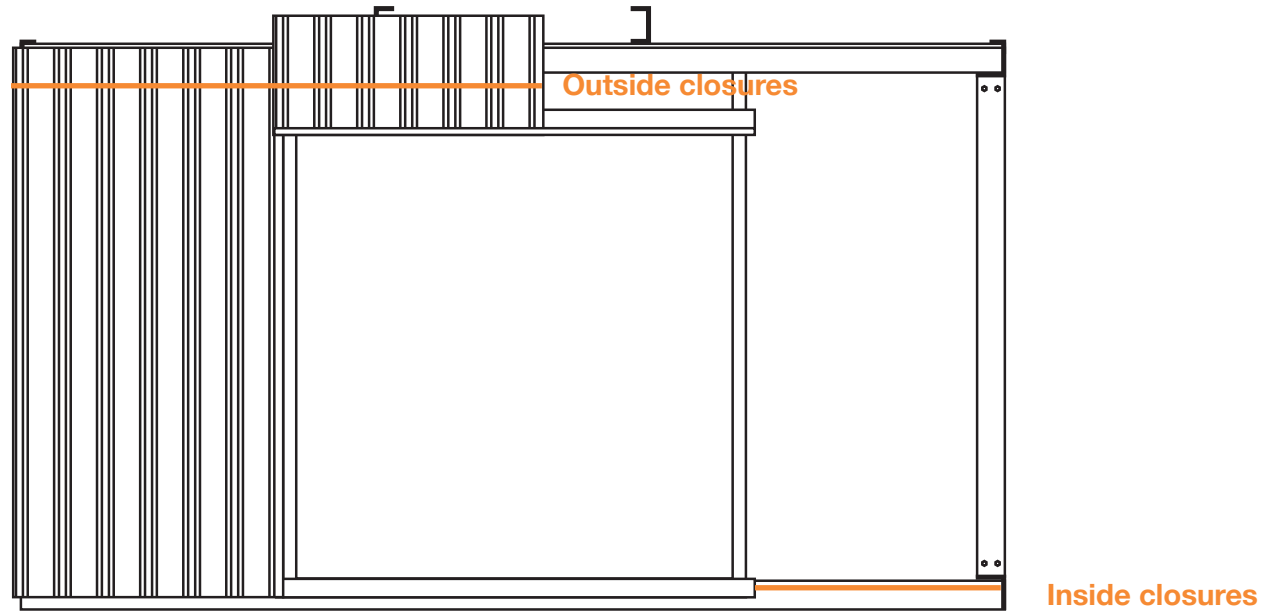
SHEETING (NOTE SOME SHEETS ARE LONGER)

NOTE: Sheets are stepped.
Longer sheets are
in the middle of
the D.I.Y.



SHEETING ENDWALL WITH RUD DOOR

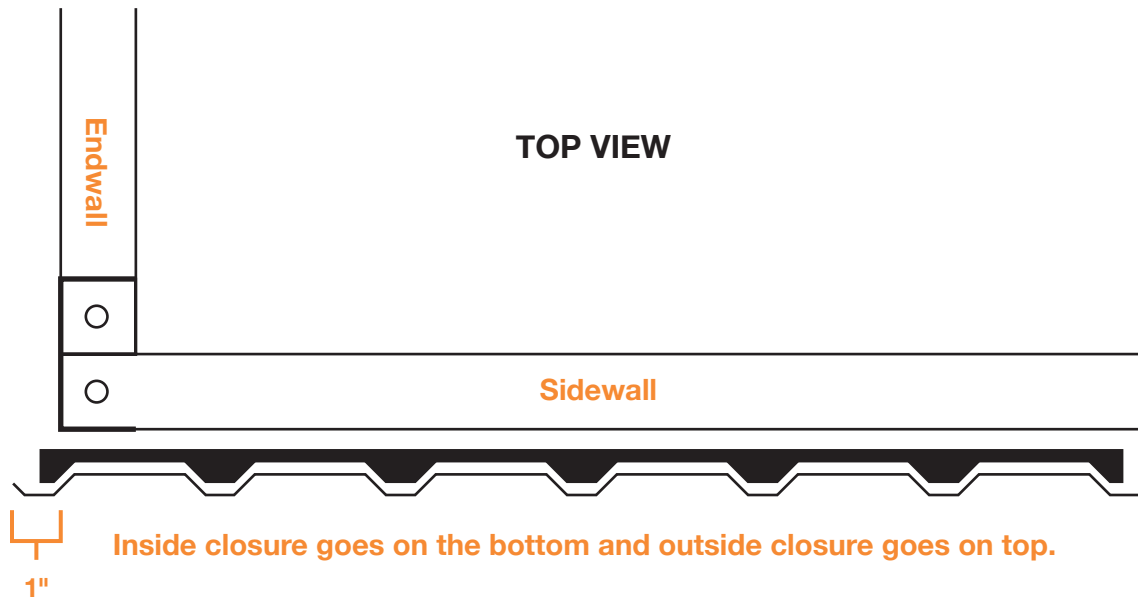
To install the RUD, see the RUD video and instructions.



Inside closure goes on the bottom and outside closure goes on top.

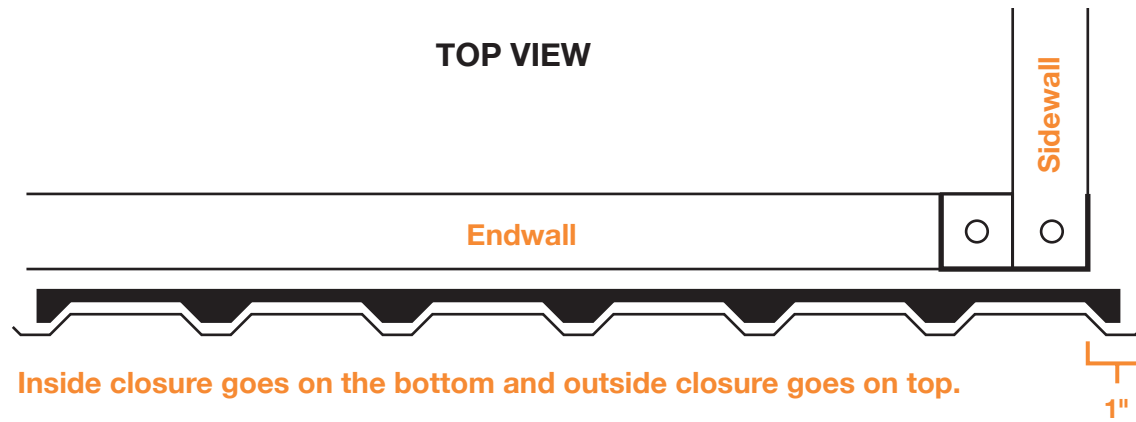
NOTE: Start sheets inside of J-Trim

SHEETING SIDEWALL



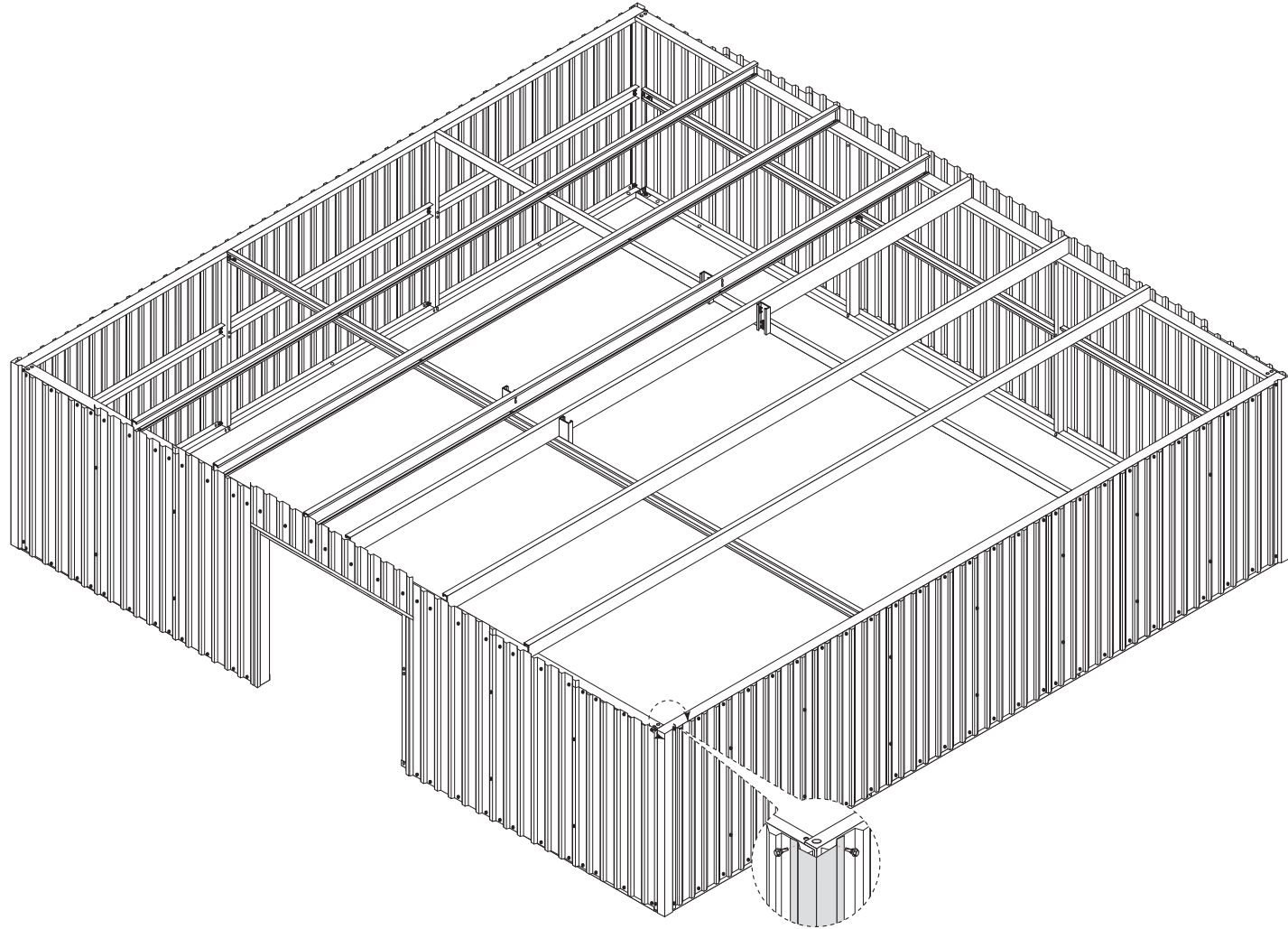
NOTE: Start sheets 1" out from endwall

SHEETING ENDWALL WITHOUT DOOR



NOTE: Start sheets 1" out from the sidewall

CORNER TRIM

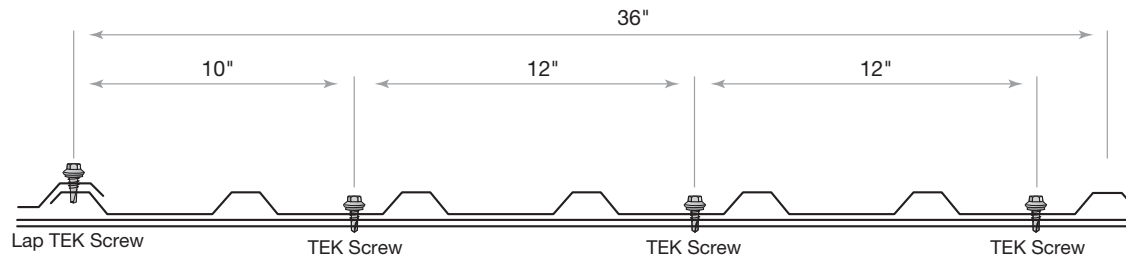
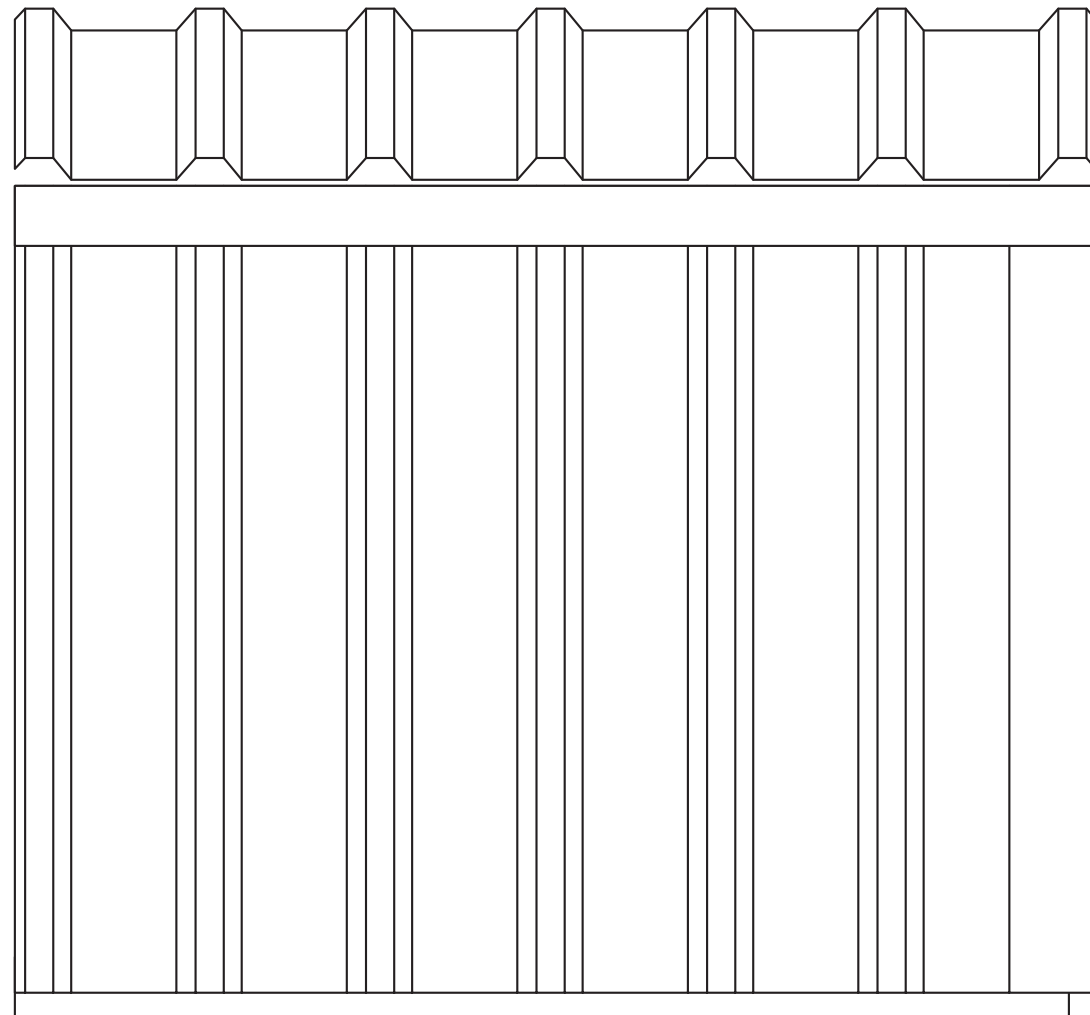


BACK SIDE WALL

Roof to wall sheet alignment

Align major ribs from wall to major rib on roof

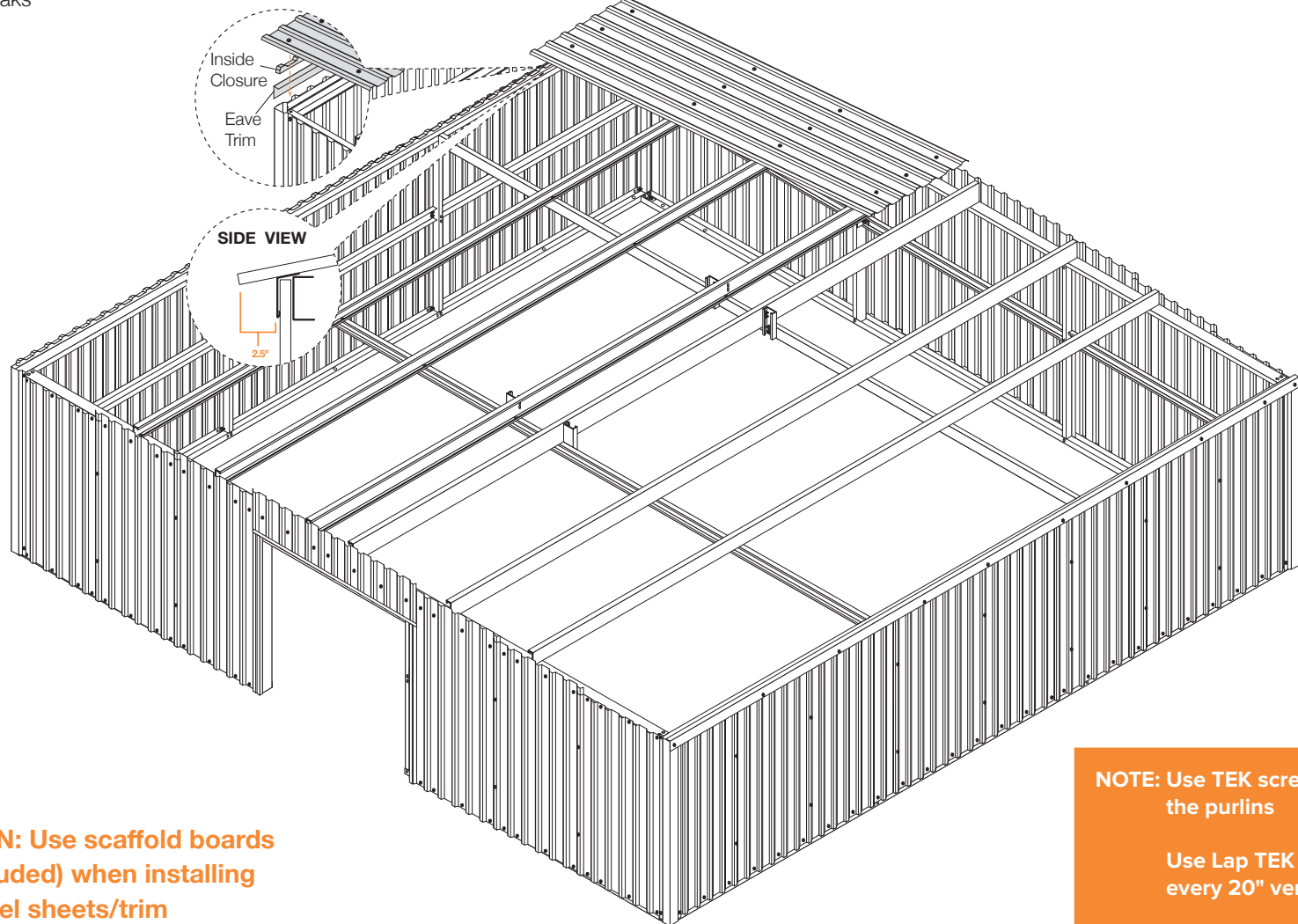
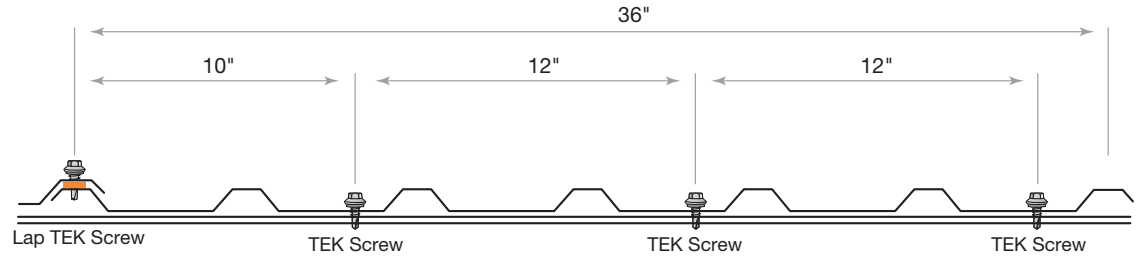
NOTE: Make sure panels remain square during installation.



SHEETING THE ROOF

Align roof sheets with wall sheets

Place sealer tape between roof sheets to avoid leaks



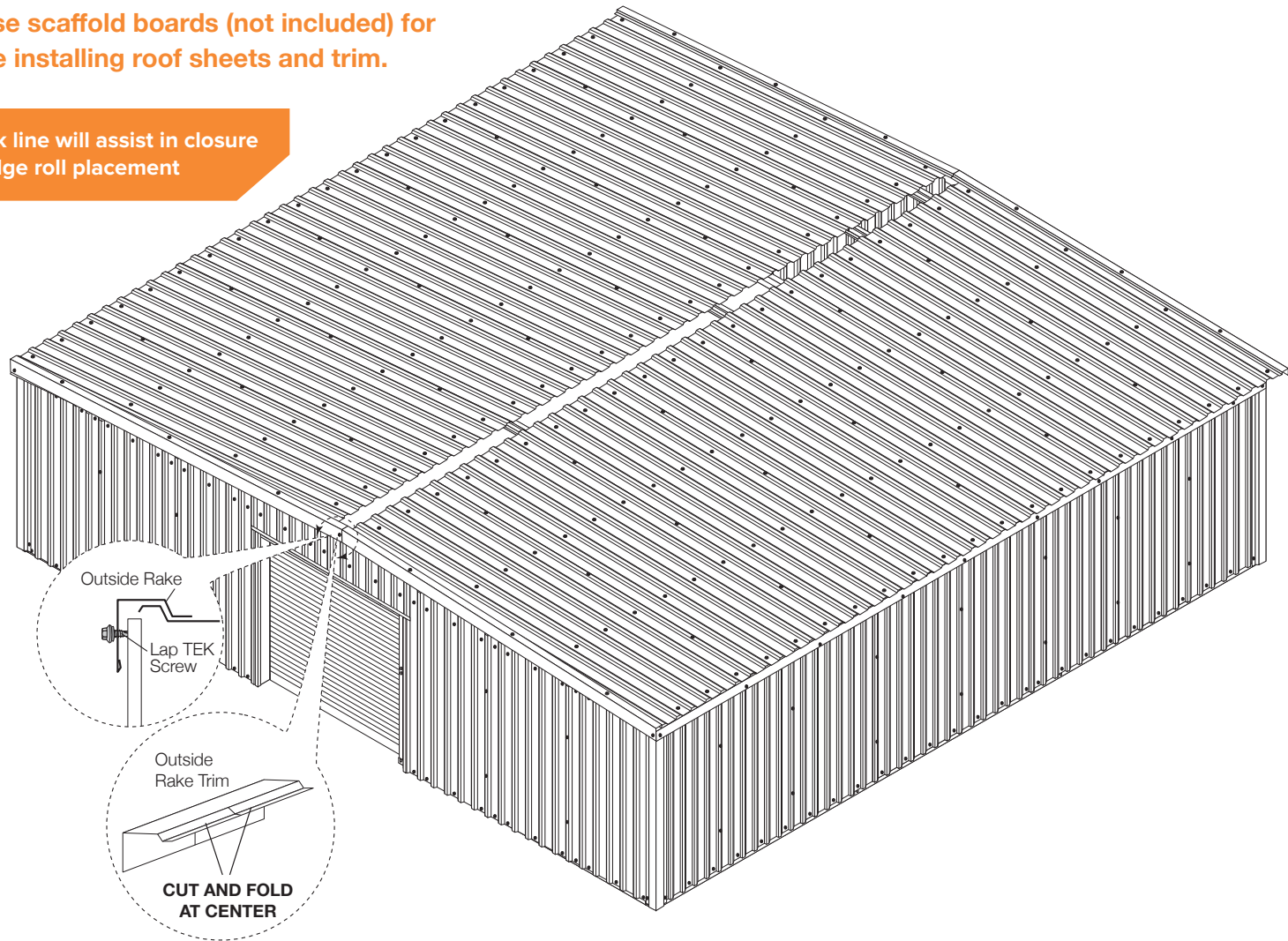
CAUTION: Use scaffold boards (not included) when installing roof panel sheets/trim

NOTE: Use TEK screws at the purlins
Use Lap TEK screws every 20" vertically

ROOFING TRIM DETAILS

CAUTION: Use scaffold boards (not included) for support while installing roof sheets and trim.

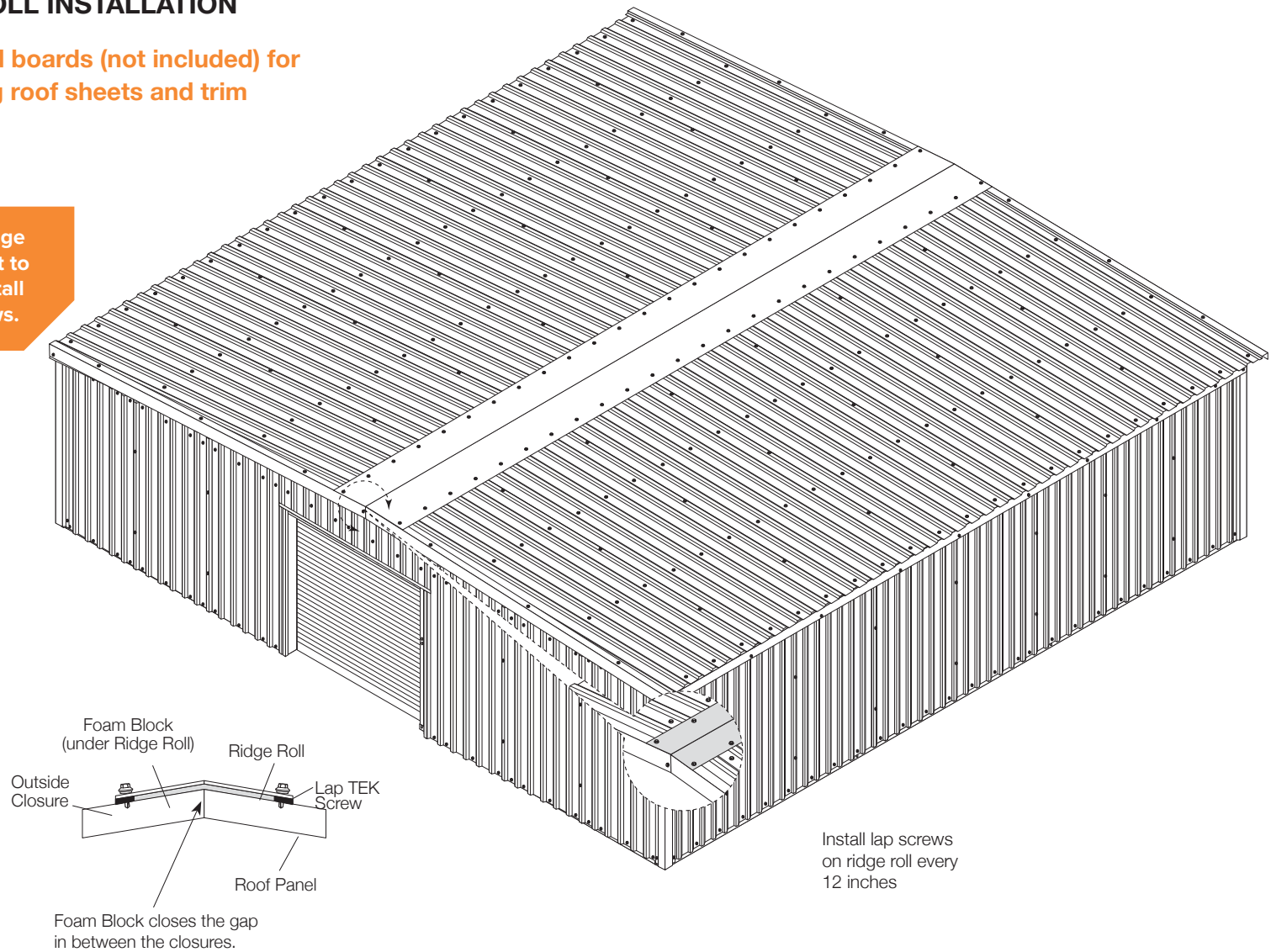
NOTE: A chalk line will assist in closure and ridge roll placement



SKYLIGHT RIDGE ROLL INSTALLATION

CAUTION: Use scaffold boards (not included) for support while installing roof sheets and trim

HINT: Screw corner of ridge roll and middle first to maintain pitch. Install remainder of screws.



TOTAL BUILDING MEASUREMENTS

