



MUPELLER, INC.
METAL BUILDINGS, ROOFING & COMPONENTS

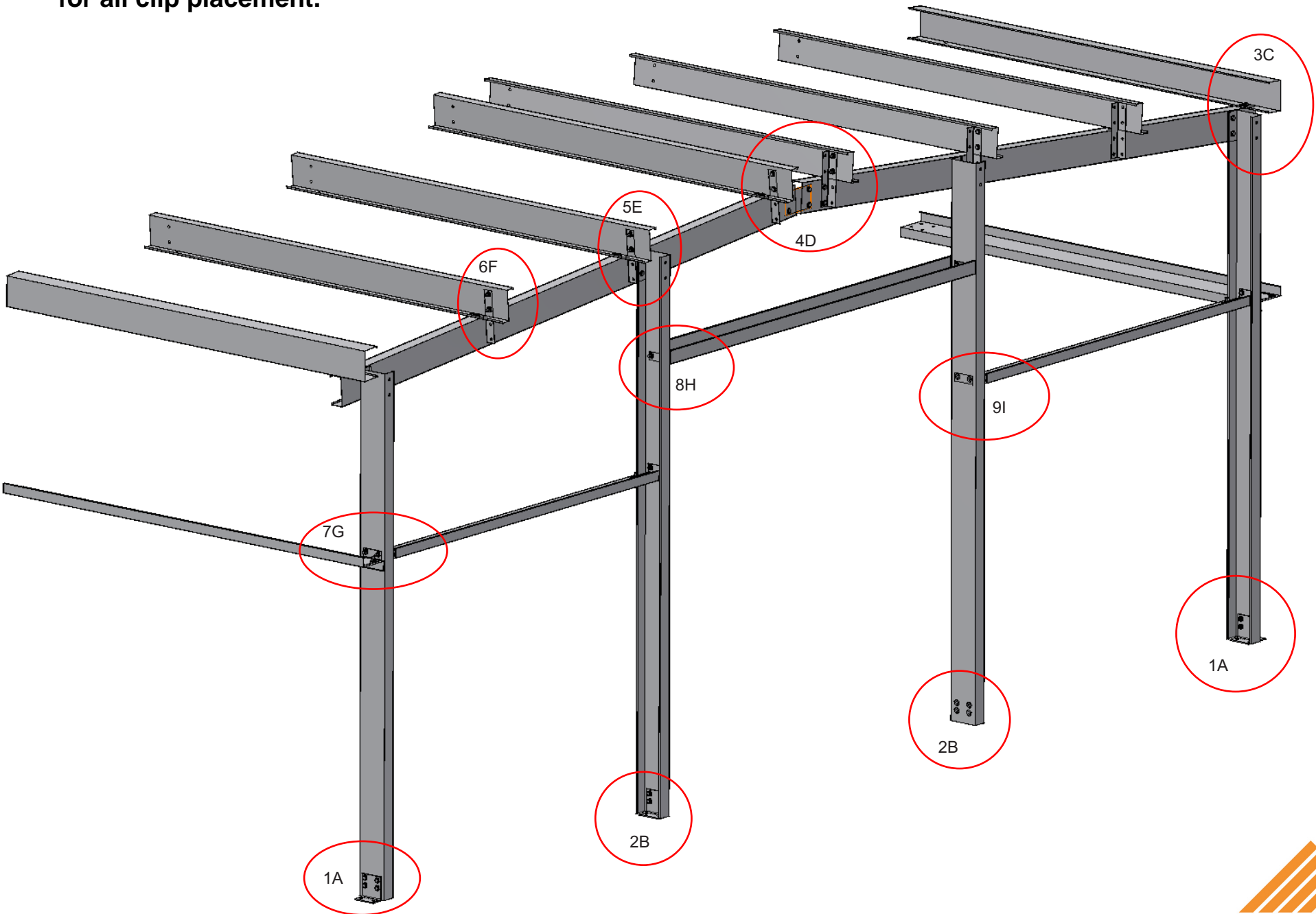
877-2-MUELLER

www.MuellerInc.com

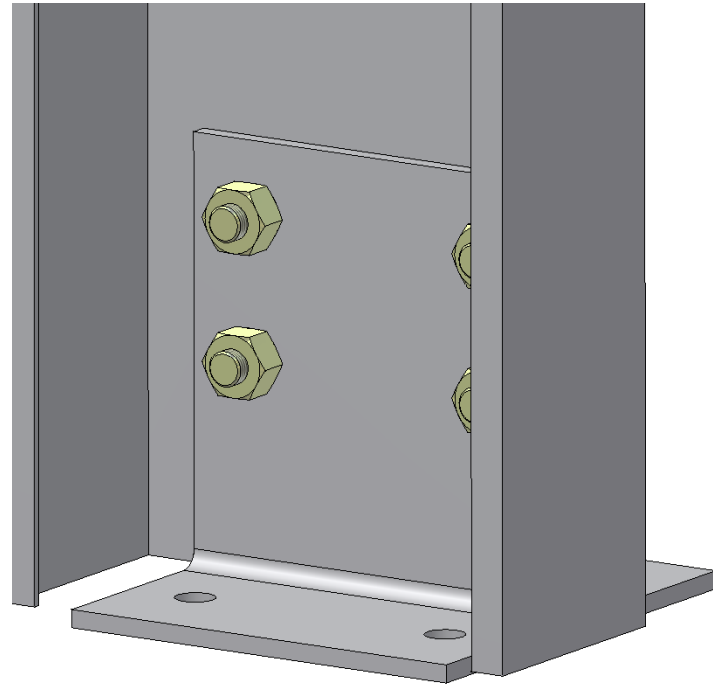
**COLDFORM ENDWALL
ERECTION MANUAL**

Generic EndWall:

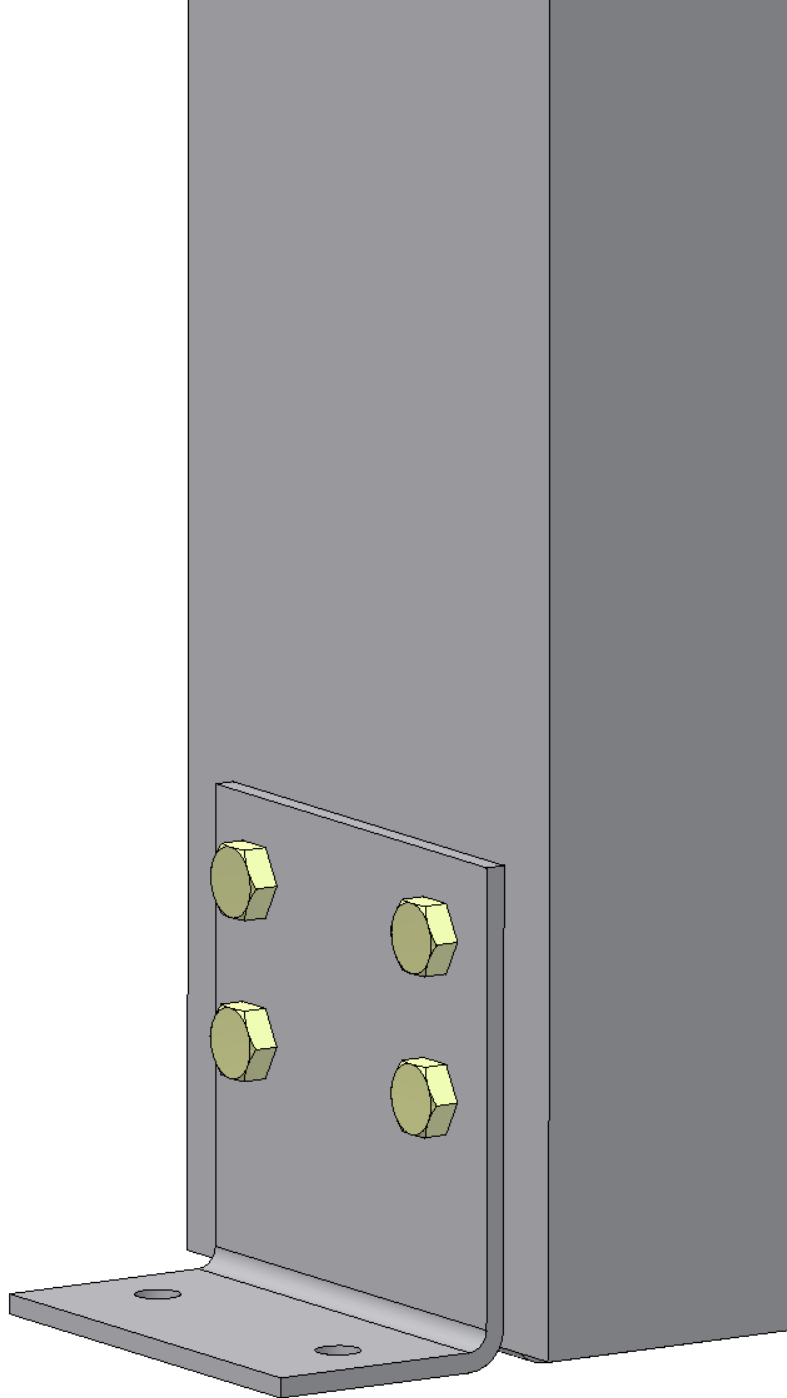
See construction drawings
for all clip placement.



Inside View

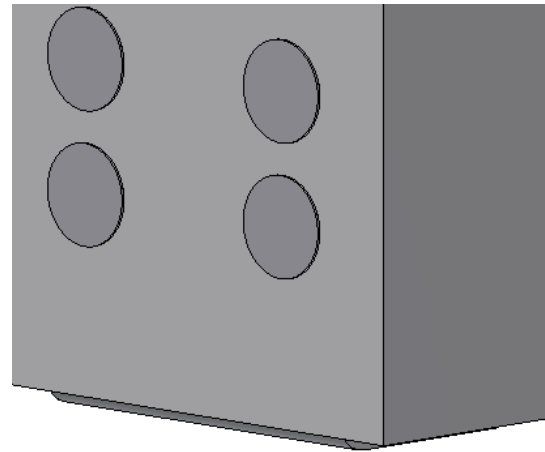
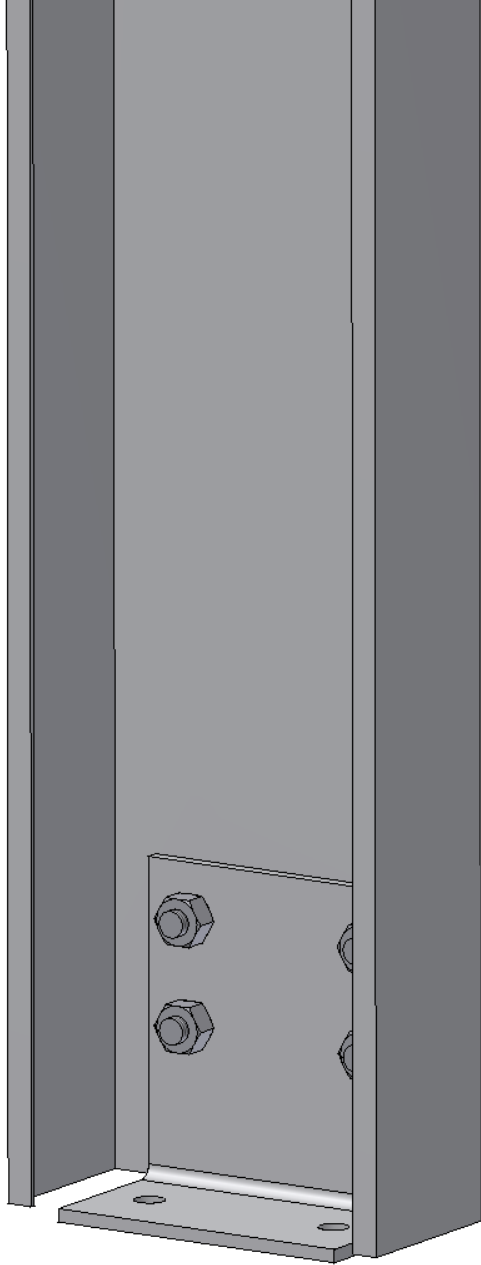


**(4) 1/2" x 1 1/2" A325
Bolts Required With
(2) MC-5 Base Clips**



(1A) Corner Column Base

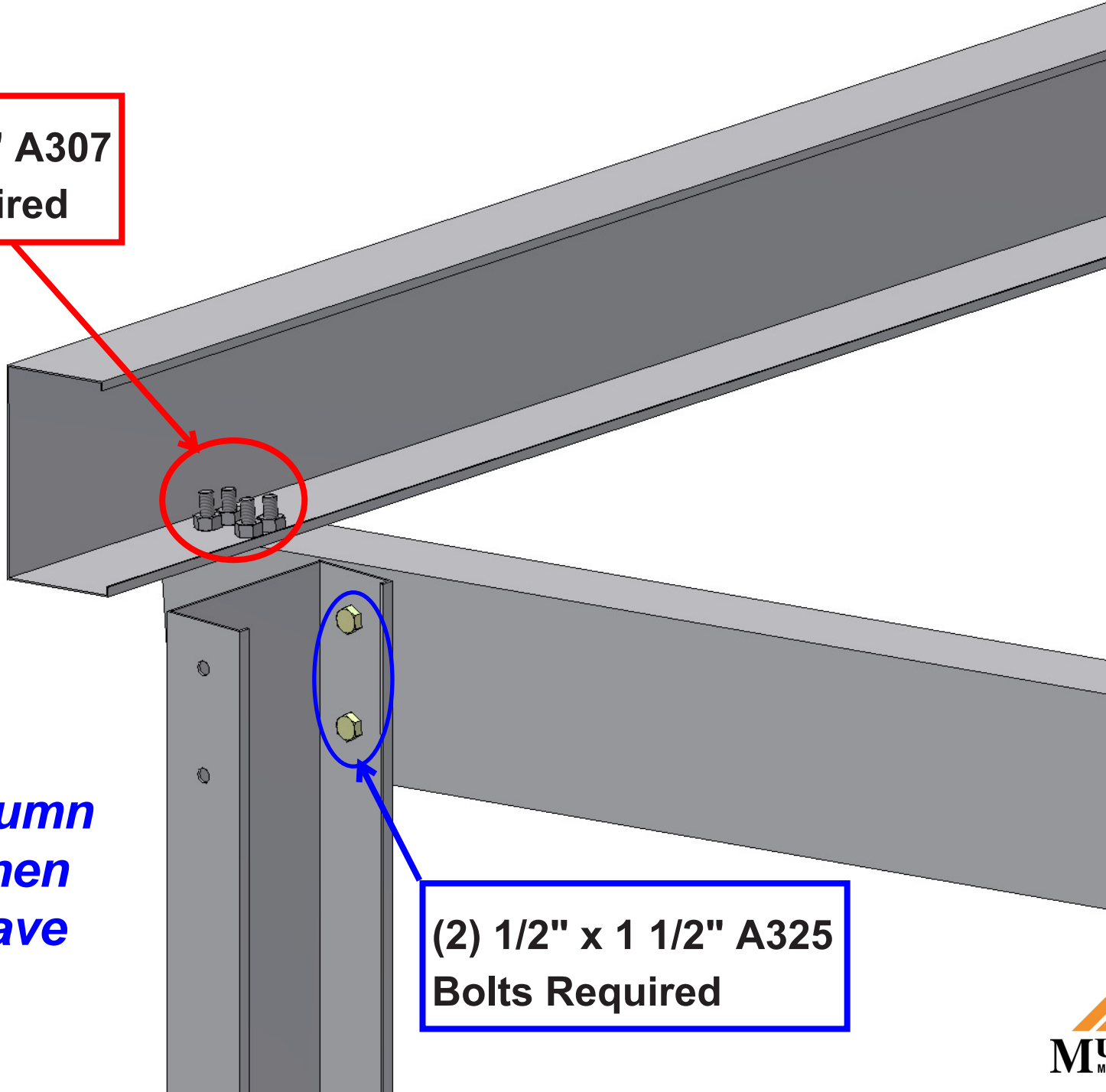
**(4) 1/2" x 1" A307
Flat Head Bolts
Required With (1)
MC-5 Base Clip**



INSIDE VIEW

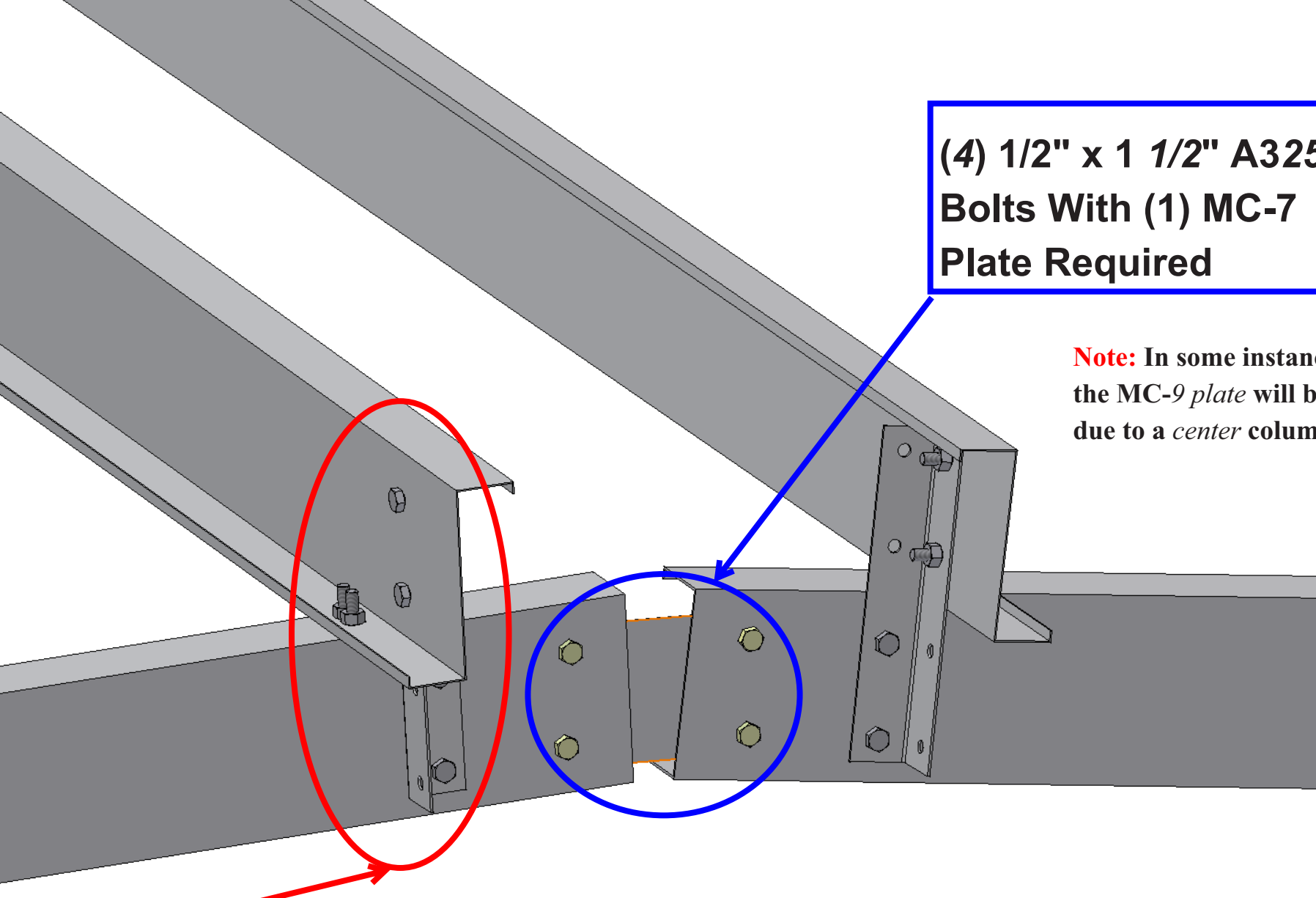
(2B) Door Jamb Base

**(4) 1/2" x 1" A307
Bolts Required**



***Corner Column
to Rafter Then
Rafter to Eave
Strut
(3C)***

**(2) 1/2" x 1 1/2" A325
Bolts Required**



**(4) 1/2" x 1 1/2" A325
Bolts With (1) MC-7
Plate Required**

Note: In some instances
the MC-9 plate will be used
due to a *center column*

**(6) 1/2" x 1" A307
Bolts With MC-6
Plate Required**

(4D) Peak Connection

**(6) 1/2" x 1" A307
Bolts With MC-6
Plate Required**

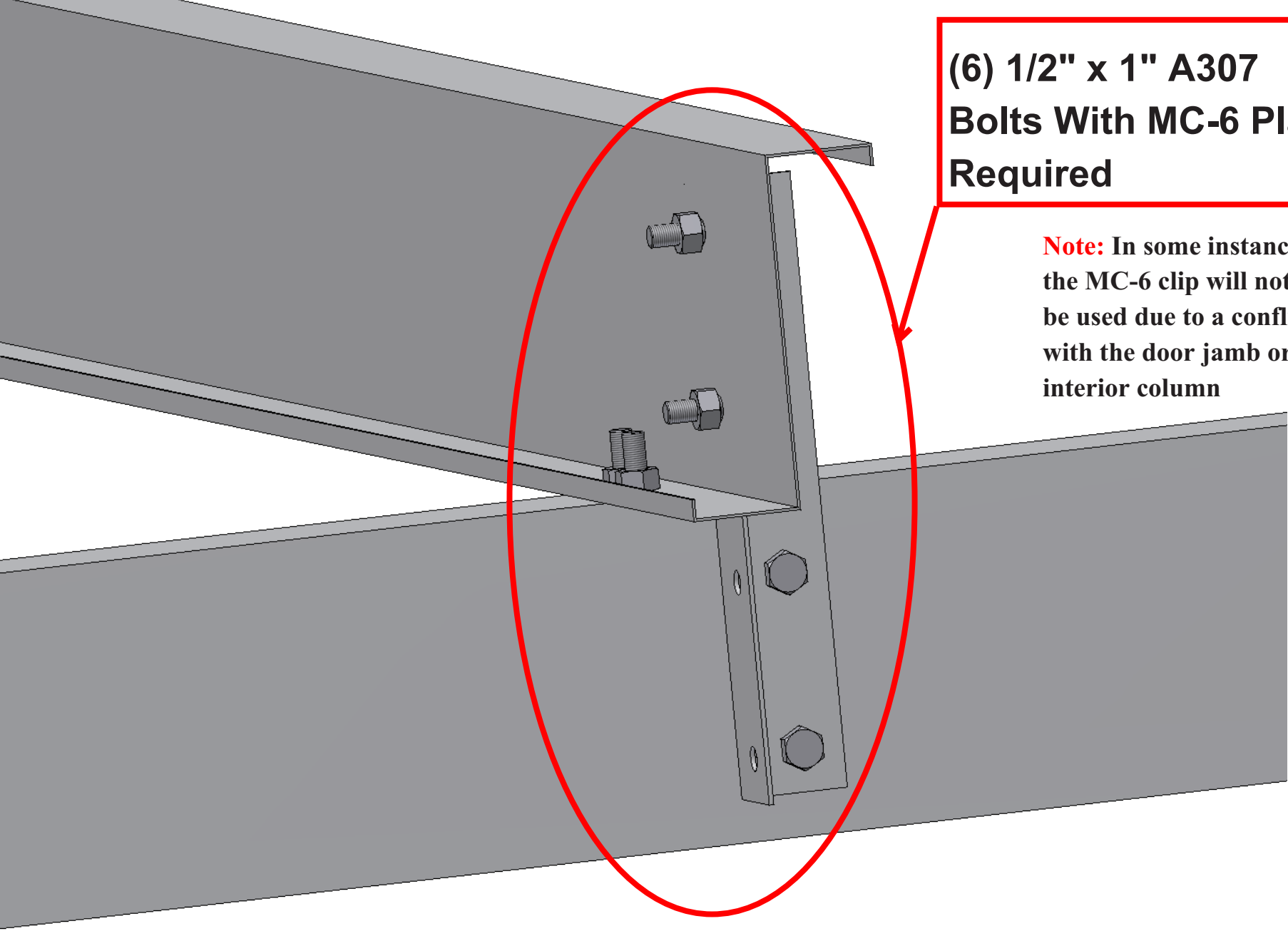
Note: In some instances
the MC-6 clip will not
be used due to a conflict
with the door jamb or
interior column

**(2) 1/2" x 1 1/2" A325
Bolts Required**

(5E) Door Jamb to Rafter

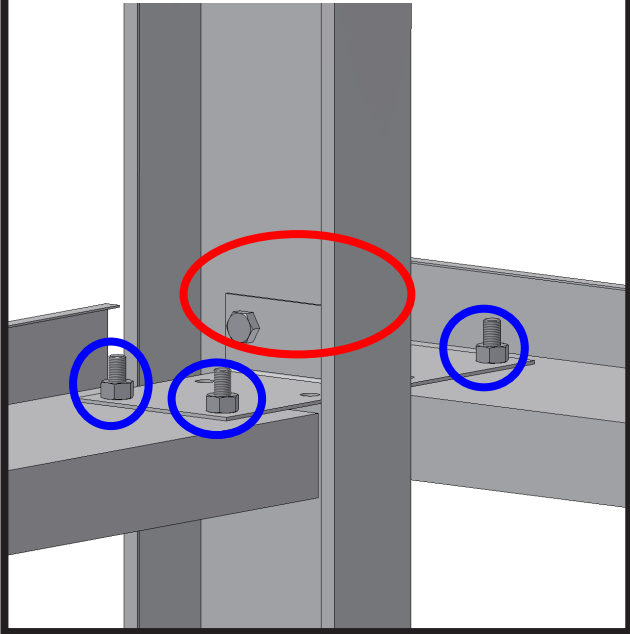
**(6) 1/2" x 1" A307
Bolts With MC-6 Plate
Required**

Note: In some instances
the MC-6 clip will not
be used due to a conflict
with the door jamb or
interior column

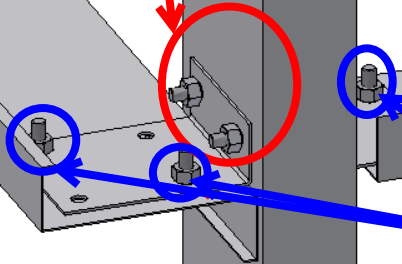


(6F) Purlin to Rafter

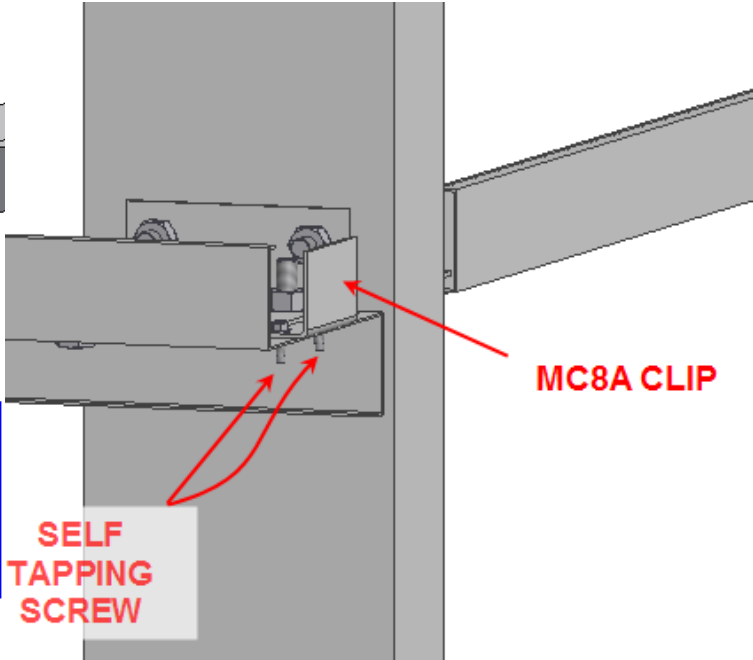
BACK VIEW



**(2) 1/2" x 1
1/4" A307
Bolts With (2)
MC-1 Clips**



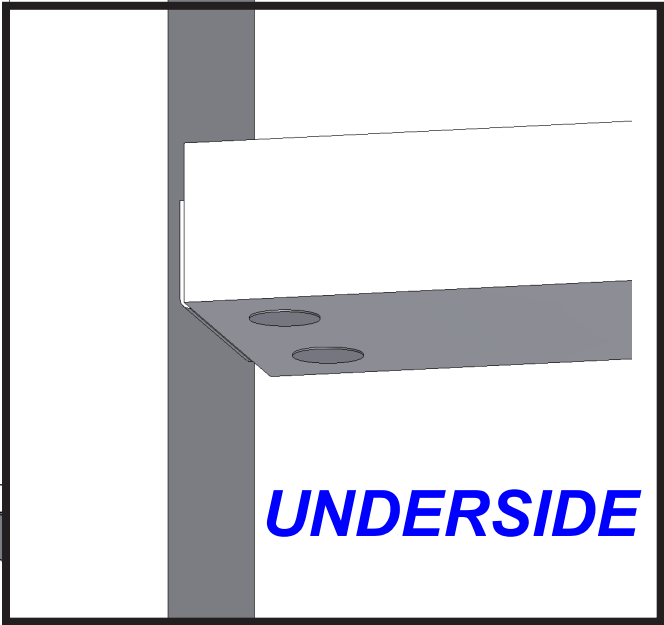
**(4) 1/2" x 1"
A307 Bolts**



**SideWall & EndWall Girts to
Corner Column Connection**

(7G)

**(2) 1/2" x 1" A307 Bolts
With MC-1 Clip Required**



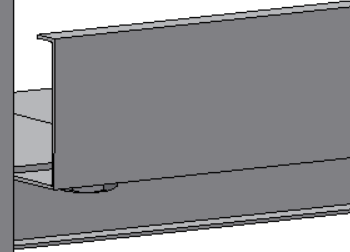
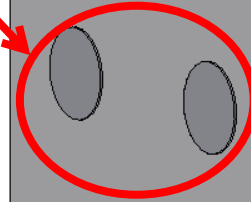
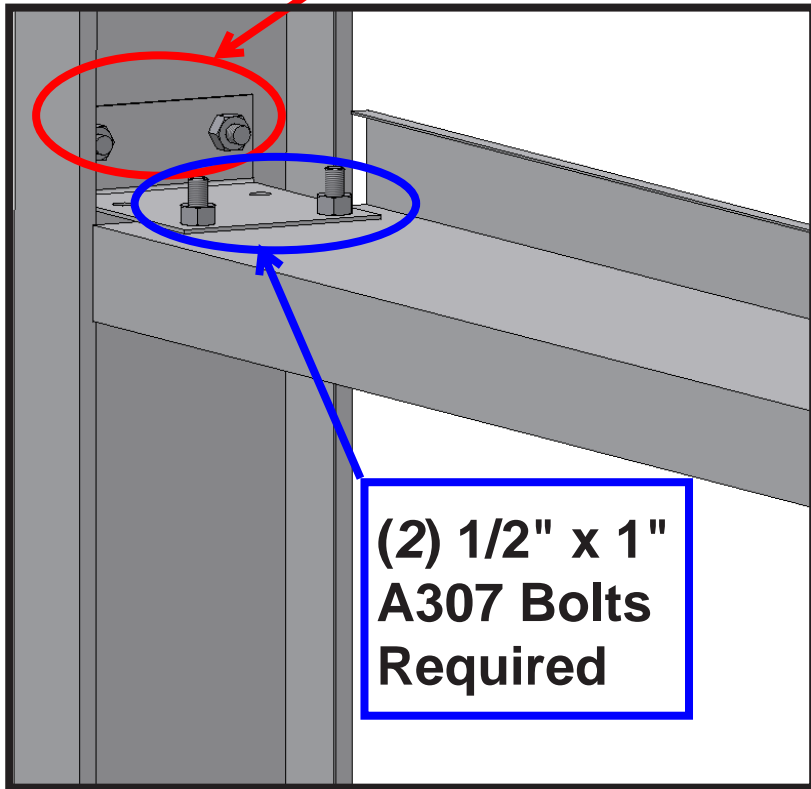
**(2) 1/2" x 1"
A307 Flat
Head Bolts
Required**

(8H)

Door Header to Door Jamb

(2) 1/2" x 1" A307 Flat Head Bolts With MC-1 Clip Required

BACK VIEW



(9I) Endwall Girt to Door Jamb