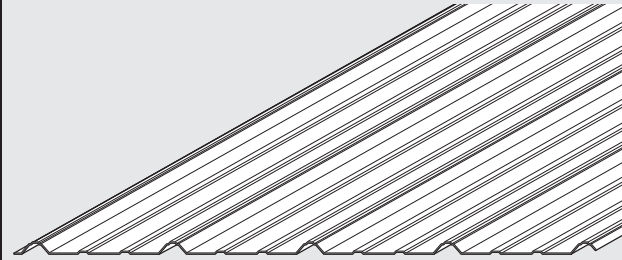




# SUPER SHIELD PANEL MANUAL



# METAL ROOFING INSTALLATION GUIDE

# TABLE OF CONTENTS

Preparation Requirements and Recommendations	3
Safety Considerations	4
Tools Required	4
Care and Handling of Mueller Sheet Metal	5
Standard Parts	6
Product Description	9
Storage	9
SS-Panel - Standard Fastener Locations	10
SS-Panel - Recommended Screw Placement Table	11
Detail Locator	12
<b>Beginning the Project</b>	
Standard Eave Trim Installation	13
Standard Eave Trim Installation with Gutter	14
Standard Adjustable Gable & Strip Installation	15
Starting and Ending Panel Installation	16
High Side Residential Eave Trim Installation	17
Valley Panel and Trim Installation	18
Standard Ridge Roll and Hip Installation	19
Endwall to Roof Flashing Installation	20
Sidewall Flashing Installation	21
Roof Pitch Change Installation	22
Standard Panel Endlap	23
Chimney Flashing - Uphill and Downhill	24
Chimney Flashing - Side and Vent	25
Contact Information	26



This detail & installation manual has been provided to serve as a basic guideline for installing the Mueller Super Shield Panel roof system. This manual should be used in conjunction with the erection drawings to help ensure proper installation of this roof system. In case of discrepancies, the erection drawings will govern over this installation guide.

It is the customer's responsibility to ensure that a competent and experienced erection crew is chosen for the installation of this roof system. It is also the customer's responsibility to ensure the erection crew understands and follows this installation manual and the erection drawings.

Mueller, Inc. is not responsible for any problems or defects caused by improper erection techniques. Any questions in regards to clarifying the intent of this manual or the erection drawings should be directed to Mueller's sales department at the address and phone number shown on the back cover.

**Warning!** When these panels are installed on roofs with less than recommended pitches (SS-Panel recommended minimum pitch is 3:12), heavy rainfall may lead to water accumulation and possible leaks.

It is important that the roof be properly prepared before installation begins.

## Decking

Mueller, Inc. recommends our metal roofing systems be installed over CDX plywood wooden roof decking with a minimum thickness of 15/32" or equal. Note: If using treated lumber, special corrosive resistant screws are required. Ask your sales representative for more information.

## Stripping

The removal of existing roofing and the associated fasteners is optional with Super Shield Panels. This does not damage, and typically improves, the structural capacity of wood decks. During removal, many shingle fasteners may remain embedded in the deck. These fasteners can be pulled out or hammered flush with the deck.

## Repairs

Deteriorated areas should be removed and replaced with material to closely match the existing thickness. The deck should be sound and smooth, with fasteners flush with the surface, prior to the installation of the metal roof. New wood decking, whether boards, planks, CDX plywood, or equal should be the same thickness and have similar strength characteristics and span ratings to that of the area being replaced. Deck fasteners that have backed out should have a new fastener installed adjacent to it and the existing fastener should be removed. Loose or lifted boards, planks, plywood, and corners should have additional fasteners installed to secure the existing deck in place.

Holes in wood decks that are 10" wide or less can be covered with 20-gauge steel. This steel plate should be galvanized and must overlap the wood roof deck 4 inches minimum and be secured with fasteners 4 inches on center.

Fascia boards should be straight, level and in good condition. Any rotted or deteriorated boards should be replaced. All roof framing and decking abnormalities will be transferred to the new metal roof if not corrected before sheeting begins.

## Underlayment

New underlayment must be immediately installed over prepared roof decking. Mueller recommends Titanium or a minimum 30# felt. This underlayment should be installed with a minimum of a 2" side lap and a 6" end lap. Underlayment temporarily protects the roof decking against water penetration. It should be installed using galvanized tin caps (not plastic caps). The underlayment should be fastened to the deck with galvanized roofing nails with tin caps 12" on center in the field and 6" on center at the sidelap.

## Flashing

Re-roofing projects incorporate metal flashing and metal counter-flashing. Some counter-flashing are embedded, such as a masonry wall, or are installed behind existing siding. This metal, if not deteriorated, may be reused. The existing metal can be cut, leaving approximately a minimum of 2" of flashing exposed, and new counter-flashing can be fastened to the backside of the existing metal. Counter-flashing must be slightly higher than the top of the rib on the sheets to be installed.

# SAFETY CONSIDERATIONS



As with all major construction projects, safety should be a primary concern. The erector or contractor should be sure that all OSHA safety rules are followed and that job safety is strictly adhered to.

The following safety equipment is highly recommended when installing metal roofing:

1. Safety rope and harness
2. Hand protection
3. Eye protection
4. Hearing protection
5. Soft rubber soled shoes

Metal roofing presents several specific safety issues:

1. Metal roofing is extremely slick and does not provide firm footing. Extreme care should be taken when:
  - A. Working on roofs with very steep pitches.
  - B. Working on roofs when moisture is present.
  - C. Working on roofs when high wind is a factor.
  - D. Working with long panels.
2. Metal edges are very sharp and should be handled with care.
3. Care should be used when lifting panels due to their weight.
4. Always check for overhead electrical lines and exercise care not to have metal sheets come in contact with them.
5. All electrical tools should be inspected regularly for damaged cases or frayed electric cords. Extension cords should be inspected for damaged or frayed insulation. Tools which do not meet good safety standards should not be used.

**CAUTION:** Care should be taken when cutting sheets. Eye and hearing protection are important.

**NOTE:** Always wear rubber soled work boots. When on the roof, use OSHA approved protection devices such as safety lines, safety nets or catch platforms.

## Unsecured Panels May Slip If Stepped On!

Never step on a single unsecured roof panel, or a stack of roof panels laying unattached on the roof. Secure each end of the panel with clamps or appropriate fasteners and place walkboards of adequate size and strength in the flat of any panels not fully secured to the roof and supported by panels on each side. Walkboards should run the full length of the panel and be fastened together by drilling a hole near the end of each board and tied with rope to the next board. Cut a groove in the bottom of each board so the board will lie flat and not tip back and forth because of the rope.

**Underlayment:** The underlayment should be one layer of Titanium or 30# felt. The Titanium should have a 2" side lap and a 6" end lap. The underlayment should be fastened to the deck with galvanized roofing nails with tin caps 12" on center in the field and 6" on center at the sidelap.

4

## TOOLS REQUIRED

The following list of tools is recommended when installing metal roofing:

<b>1. Aviation snip s - left, right, straight</b>	<b>6. Square</b>	<b>11. Broom</b>	<b>16. Fire extinguisher</b>
<b>2. Screw gun 2500 RPM with appropriate nut drivers</b>	<b>7. Straight edge</b>	<b>12. Extension cords</b>	<b>17. Saw horses</b>
<b>3. Tape measure</b>	<b>8. Chalk line</b>	<b>13. Ladder</b>	<b>18. First aid kit</b>
<b>4. Caulking gun</b>	<b>9. Vise grips</b>	<b>14. Hammer</b>	<b>19. Tarp</b>
<b>5. Safety equipment: goggles, hard hat, and soft rubber soled shoes</b>	<b>10. Gloves</b>	<b>15. Drill bits</b>	<b>20. Electric shear or nibbler</b>

**CAUTION:** Whenever using any type of power equipment, it is important to follow the manufacturer's recommendation for use. Always be aware of the danger involved when using electric or air powered equipment.

**Never Install Material if the Quality is in Question!**

Details are subject to change without prior notice.





# CARE AND HANDLING OF MUELLER SHEET METAL

Delivery: Mueller takes every precaution to ensure that material is delivered to the customer damage-free and fully protected from the elements during shipment. When the material is delivered to the customer it then becomes the customer's responsibility to protect the material from the elements, possible theft, and other damage. The following guidelines are recommended:

## **HANDLING: Proper care is required in unloading and handling panel bundles in order to prevent damage.**

1. Bundles should remain banded (if possible) during the unloading process. Bundles should never be lifted by the banding material.
2. Lift each bundle as close as possible to its center of gravity.
3. If the bundles are to be lifted with a crane, use a spreader bar of appropriate length and nylon band slings (do not use wire rope slings as they will damage the material).
4. Depending on the panel length, some bundles may be lifted by a forklift. When using a forklift, the forks should be spread to their maximum spacing, and the load centered on the forks. **Sheets over 25' long require two forklifts.**
5. After panel bundles are opened, individual sheets must be handled carefully to prevent panel buckling or damage to the panel coating. When removing a sheet from a bundle it should be rolled off the bundle to prevent scratching of the next sheet. Never drag or slide one sheet over another sheet. Sheets should not be picked up by the ends. Instead, lift the sheet along its longitudinal edge and carry in a vertical position. For sheets over 10' long, two or more people may be required to carry the sheet.

**WARNING!** Mueller trim comes with a protective film coating to aid in the prevention of scuffing. Do not allow this film to be exposed to the sun. Exposure will bond the film to the metal making removal difficult.

## **Wall and Roof Panels**

Mueller's wall and roof panels, including color coated, galvalume and galvanized, provide excellent service under widely varied conditions. All unloading and erection personnel should fully understand that *these panels are quality merchandise which merit cautious care in handling.*

*Under no circumstances should panels be handled roughly.* Packages of sheets should be lifted off the truck with extreme care taken to ensure that no damage occurs to ends of the sheets or to side ribs. The packages should be stored off the ground sufficiently high to allow air circulation underneath the packages. This avoids ground moisture and deters people from walking on the packages. One end of the package should always be elevated to encourage drainage in case of rain.

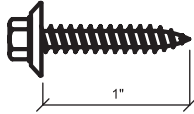
All stacked metal panels are subject, to some degree, to localized discoloration or stain when water is trapped between their closely nested surfaces. Mueller, Inc. exercises extreme caution during fabrication and shipping operations to ensure that all panel stock is kept dry. However, due to climatic conditions, water formed by condensation of humid air can become trapped between stacked sheets. Water can also be trapped between the stacked sheets when exposed to rain. This discoloration caused by trapped moisture is often called "wet storage stain."

The stain is usually superficial and has little effect on the appearance or service life of the panels as long as it is not permitted to remain on the panels. However, moisture in contact with the surface of the panels over an extended period can severely attack the finish and reduce the effective service life. Therefore, it is imperative that all panels be inspected for moisture upon receipt of the order. If moisture is present, dry the panels at once and store in a dry, warm place.

# STANDARD PARTS

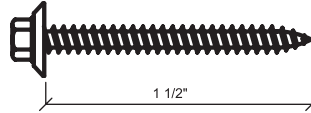


#9 x 1" Woodgrip



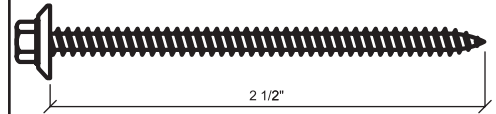
- 1/4" HEX WASHER HEAD
- 1/2" O.D. EPDM SEALING WASHER
- CORROSION RESISTANT COATING
- PAINTED OR MILL FINISHED HEAD

#9 x 1 1/2" Woodgrip



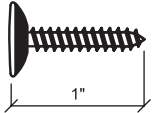
- 1/4" HEX WASHER HEAD
- 1/2" O.D. EPDM SEALING WASHER
- CORROSION RESISTANT COATING
- PAINTED OR MILL FINISHED HEAD

#9 x 2 1/2" Woodgrip



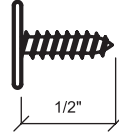
- 1/4" HEX WASHER HEAD
- 1/2" O.D. EPDM SEALING WASHER
- CORROSION RESISTANT COATING
- PAINTED OR MILL FINISHED HEAD

#10 x 1" Wafer Head



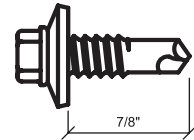
- #2 PHILLIPS DRIVE
- WAFER HEAD SCREW TYPE A
- CORROSION RESISTANT COATING
- MILL FINISHED HEAD

Stitch Screw 1/2"



- #2 PHILLIPS DRIVE
- CORROSION RESISTANT COATING
- PAINTED OR MILL FINISHED HEAD

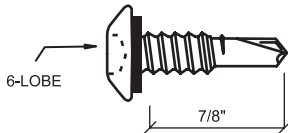
#14 x 7/8" LapTek



- 5/16" HEX WASHER HEAD
- EPDM SEALING WASHER
- CORROSION RESISTANT COATING
- PAINTED OR MILL FINISHED HEAD

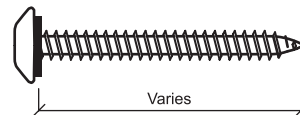
6

#14 x 7/8" Low Profile Lap Screw



- LOW PROFILE DESIGN
- LARGE DIAMETER HEAD FOR RESISTANCE
- CORROSION RESISTANT COATING
- PAINTED OR MILL FINISHED HEAD

#12 Low Profile 1", 1 1/2", 2 1/2"



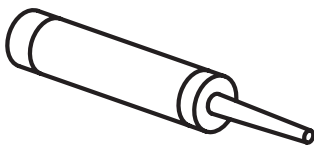
- 1/2" HEAD DIAMETER
- CORROSION RESISTANT COATING
- PAINTED OR MILL FINISHED HEAD

1/8" x 3/16" Pop Rivet



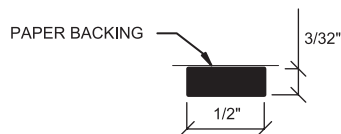
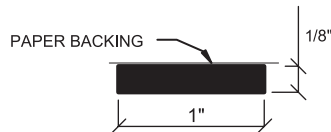
- 1/8" DIAMETER
- 3/16" GRIP RANGE
- STAINLESS STEEL
- PAINTED OR MILL FINISHED HEAD

Tube Sealant



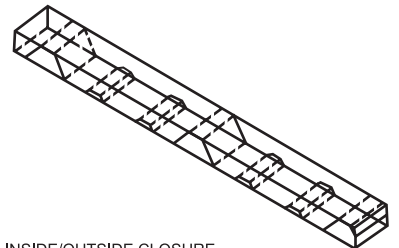
- POLYURETHANE
- 11 OZ. TUBE SIZE

Butyl Tape



- 50'-0" LENGTH

Inside/Outside Closure Strip



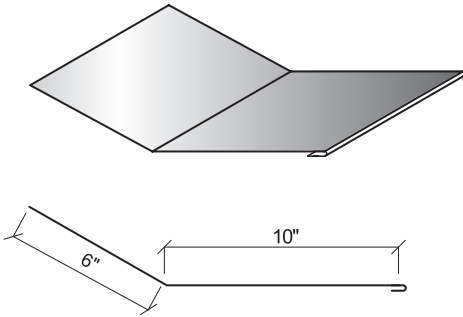
- INSIDE/OUTSIDE CLOSURE
- ADHESIVE BACKING (TOP & BOTTOM)
- NEOPRENE



# STANDARD PARTS

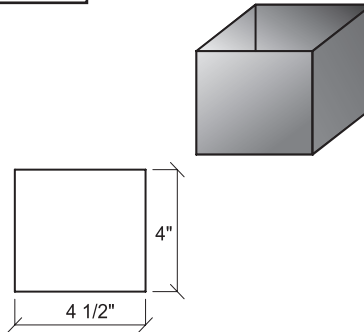
Transition Trim Profile

#1486



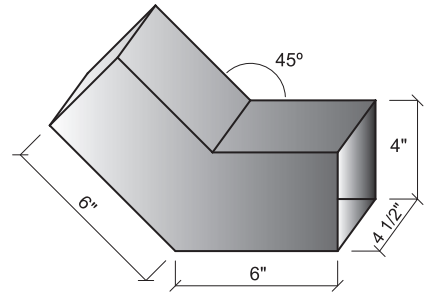
Downspout Profile

#0610



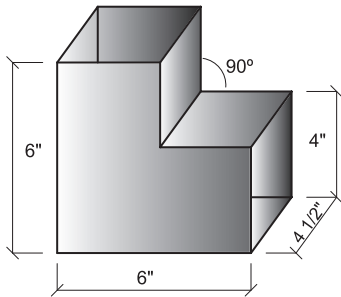
Downspout Kickout 45° Profile

#0620



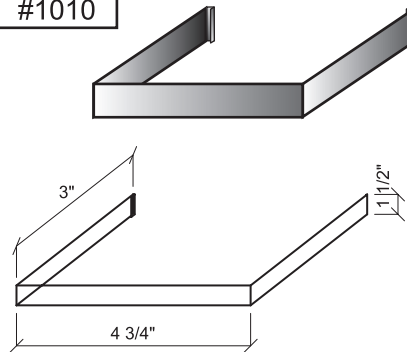
Downspout Kickout 90° Profile

#0621



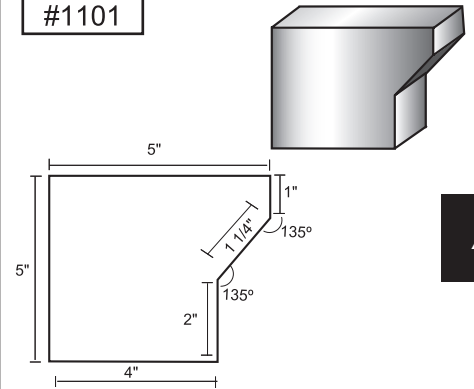
Downspout Strap Profile

#1010



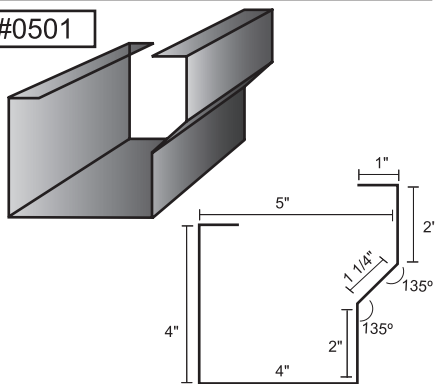
Gutter Endcap Profile

#1101



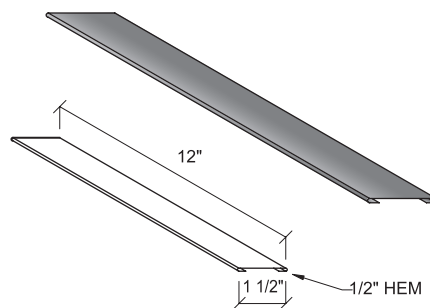
Residential Gutter Profile

#0501



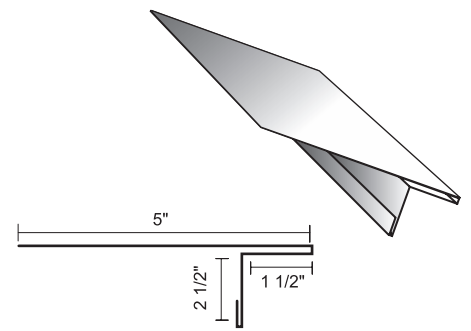
Gutter Strap

#1002



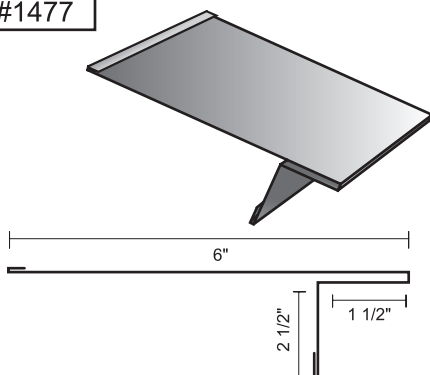
Eave Trim

#0853



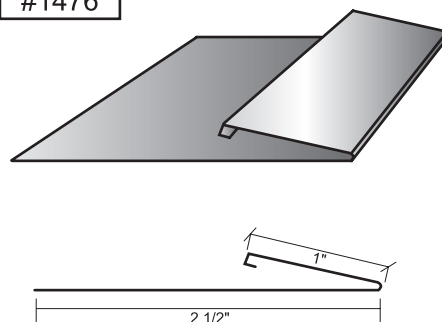
Adjustable Gable Trim Profile

#1477



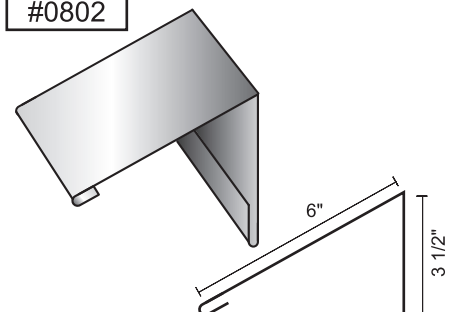
Adjustable Gable Strip Profile

#1476



High Side Residential Eave Trim

#0802



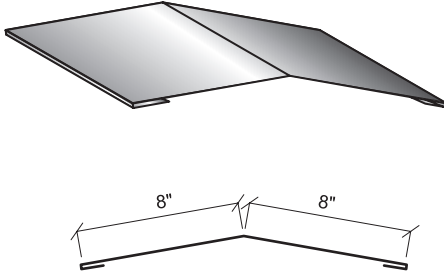
Details are subject to change without prior notice.

# STANDARD PARTS



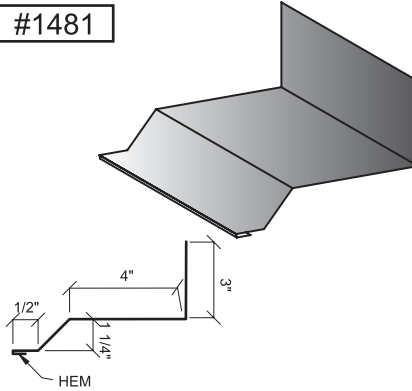
Ridge Roll Profile

#0222



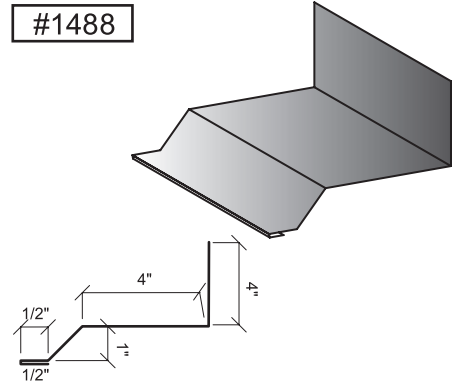
RPN - Sidewall Roof Transition

#1481



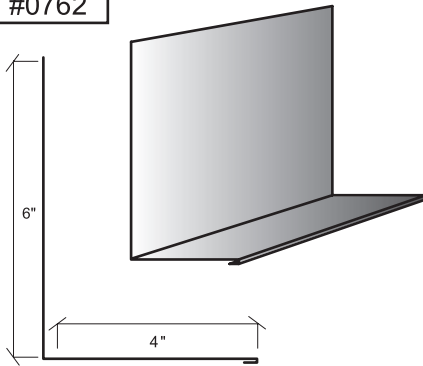
UPN - Sidewall Roof Transition

#1488



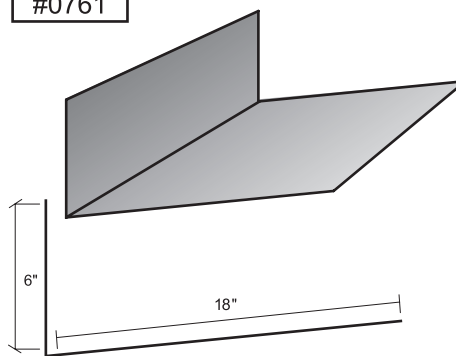
Chimney Flashing Side

#0762



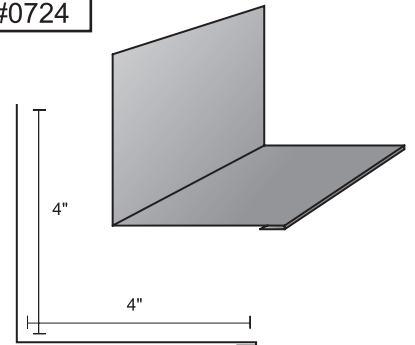
Chimney Flashing Uphill

#0761



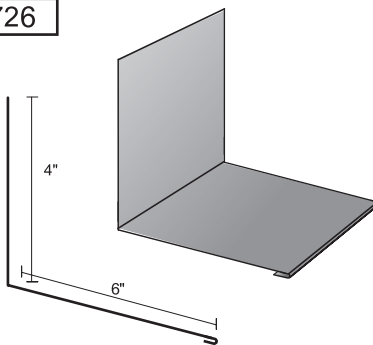
Sidewall Flashing

#0724



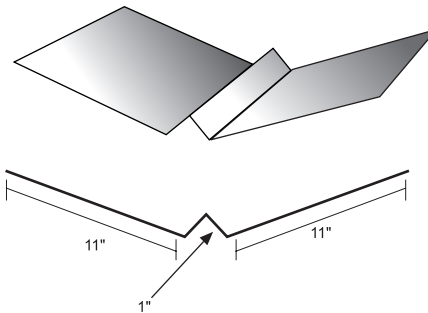
Wall to Roof Flashing

#0726



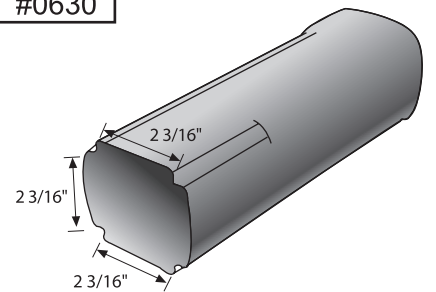
SSP - Valley Profile

#0541



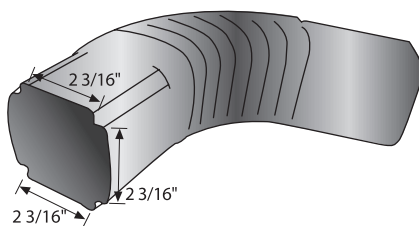
Sculptured Downspout

#0630



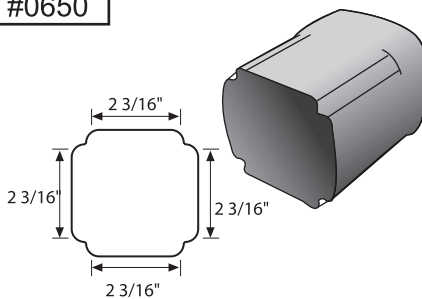
Sculptured Elbow

#0640



Sculptured Sleeve

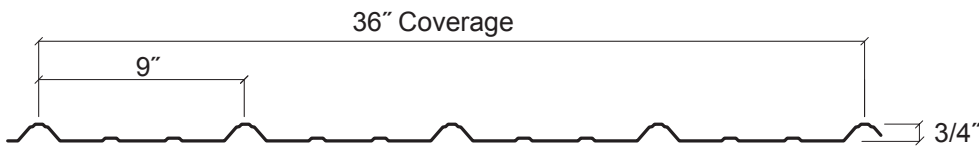
#0650





# PRODUCT DESCRIPTION

## SSP - Super Shield Panel



- 36" Coverage
- 26 Gauge or 29 Gauge

For color selections,  
please request a color chart.

G-90 Galvanized (NO WARRANTY)  
Galvalume Plus (20 Yr. WARRANTY)

Limited Paint Warranties  
(UP TO 30 YEAR WARRANTIES)

9

## STORAGE

**STORAGE:** It is recommended that sheets be kept covered and out of the elements if at all possible. If sheets are to be stored outside, the following precautions should be observed:

1. The storage area should be reasonably level, and located so as to minimize handling.
2. When stored on bare ground, place plastic ground cover under the bundles to minimize condensation on the sheets from ground moisture.
3. Store bundles at least 12 inches above ground level to allow air circulation beneath the bundle, and to prevent damage from rising water.
4. Elevate one end of each bundle slightly to permit runoff of moisture from the top of the bundle or from between sheets. A waterproof cover should be placed loosely over the bundles to allow for air circulation under the cover.
5. Inspect stored bundles daily and repair any tears or punctures in the waterproof cover.
6. Re-cover opened bundles at the end of each work day to prevent subsequent moisture damage.

### Checking order at time of delivery:

Check each order carefully, as it is unloaded. Report any obvious damage or shortages to the carrier immediately. If damage or shortages are noted after delivery (at time of unpacking) notify your Mueller representative immediately. Have invoice numbers and detailed descriptions of the damage or shortage available. These procedures are for your protection. A shortage or damage discovered later can be caused by theft, misplacement, mishandling or other causes and is not the responsibility of Mueller, Inc.

**Note:** Always remove metal filings from surface of panels at the end of each work period. Rusting filings can destroy the paint finish and void warranty.

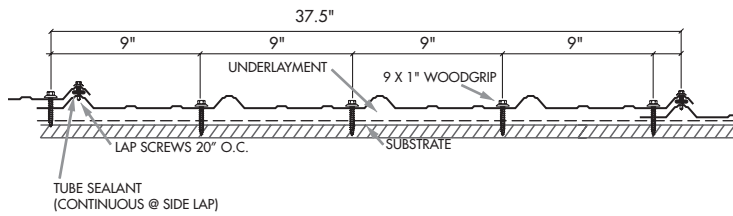
Details are subject to change without prior notice.

# SS-PANEL STANDARD FASTENER LOCATIONS

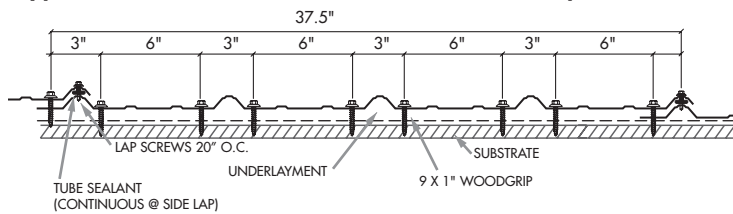


## ATTACHMENT TO PLYWOOD

### Type 1: Fastener Pattern at Panel Interior

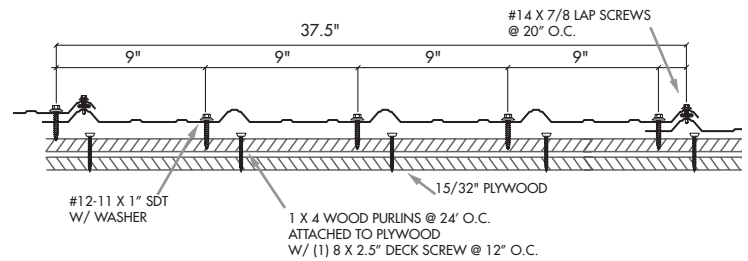


### Type 2: Fastener Pattern at Low Eave and Endlap

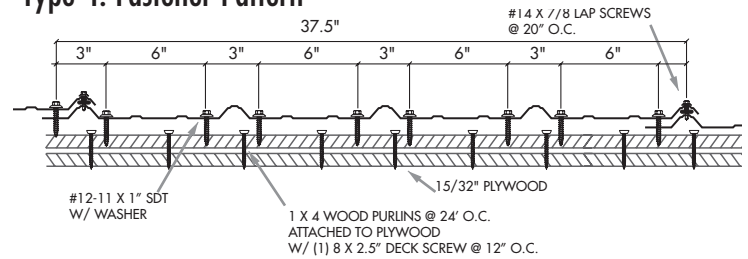


## ATTACHMENT TO 1 X 4 WOOD PURLIN

### Type 3: Fastener Pattern

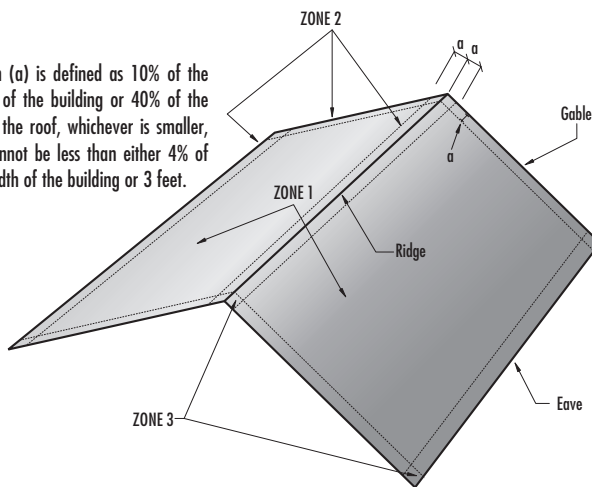


### Type 4: Fastener Pattern

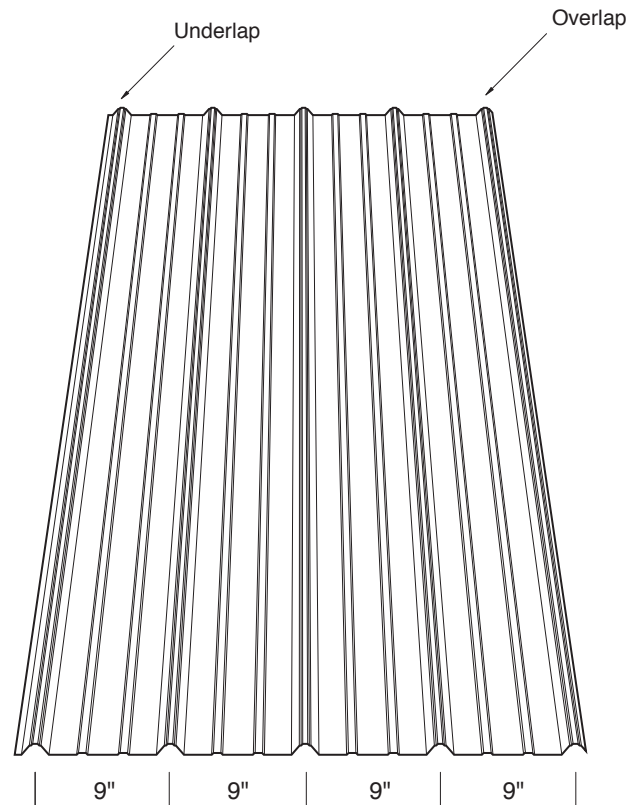


10

Note: Dimension (a) is defined as 10% of the minimum width of the building or 40% of the mean height of the roof, whichever is smaller, however, (a) cannot be less than either 4% of the minimum width of the building or 3 feet.



## SS-PANEL DETAIL



**NOTE:** To comply with Texas Windstorm Certification Testing, #12x11 SDT Type A screws must be used in place of the #9 Woodgrip screws.

**Warning!** SS-Panel should not be installed on a roof that is less than a 3:12 pitch. When this panel is installed on pitches less than 3:12, heavy rainfall may lead to water accumulation and possible leaks.

Details are subject to change without prior notice.

# SS-PANEL

## RECOMMENDED SCREW PLACEMENT TABLE

### 26 GAUGE SSP PANEL

Building having a Roof Mean Height  $\leq 20'-0"$ ,  $1/2:12 \leq$  Roof Slope  $< 2:12$ , Gable Roof  
Importance Factor 1.0, Exposure Factor C, IBC 2006 & IBC 2009

			WIND SPEED ZONE					
ZONE	PANEL FASTENER	SUBSTRATE	90	100	110	120	130	140
			Fastener Spacing	Fastener Spacing	Fastener Spacing	Fastener Spacing	Fastener Spacing	Fastener Spacing
ZONE 1	#10-14 x 1 1/2"	15/32" PLYWOOD	TYPE 1	TYPE 1	TYPE 1	TYPE 1	TYPE 1	TYPE 1
	#10-14 x 1 1/2"	1x4 WOOD PURLINS	TYPE 3	TYPE 3	TYPE 3	TYPE 3	N/A	N/A
ZONE 2	#10-14 x 1 1/2"	15/32" PLYWOOD	TYPE 1	TYPE 1	TYPE 1	TYPE 1	TYPE 1	TYPE 2
	#10-14 x 1 1/2"	1x4 WOOD PURLINS	TYPE 3	TYPE 3	TYPE 3	TYPE 3	N/A	N/A
ZONE 3	#10-14 x 1 1/2"	15/32" PLYWOOD	TYPE 1	TYPE 1	TYPE 2	TYPE 2	TYPE 2	TYPE 2
	#10-14 x 1 1/2"	1x4 WOOD PURLINS	TYPE 3	TYPE 4	TYPE 4	TYPE 4	N/A	N/A

Building having a Roof Mean Height  $\leq 20'-0"$ ,  $2:12 \leq$  Roof Slope  $\leq 6:12$ , Gable Roof  
Importance Factor 1.0, Exposure Factor C, IBC 2006 & IBC 2009

			WIND SPEED ZONE					
ZONE	PANEL FASTENER	SUBSTRATE	90	100	110	120	130	140
			Fastener Spacing	Fastener Spacing	Fastener Spacing	Fastener Spacing	Fastener Spacing	Fastener Spacing
ZONE 1	#10-14 x 1 1/2"	15/32" PLYWOOD	TYPE 1	TYPE 1	TYPE 1	TYPE 1	TYPE 1	TYPE 1
	#10-14 x 1 1/2"	1x4 WOOD PURLINS	TYPE 3	TYPE 3	TYPE 3	TYPE 3	TYPE 3	N/A
ZONE 2	#10-14 x 1 1/2"	15/32" PLYWOOD	TYPE 1	TYPE 1	TYPE 1	TYPE 1	TYPE 1	TYPE 2
	#10-14 x 1 1/2"	1x4 WOOD PURLINS	TYPE 3	TYPE 3	TYPE 3	TYPE 3	TYPE 4	N/A
ZONE 3	#10-14 x 1 1/2"	15/32" PLYWOOD	TYPE 1	TYPE 1	TYPE 1	TYPE 2	TYPE 2	TYPE 2
	#10-14 x 1 1/2"	1x4 WOOD PURLINS	TYPE 3	TYPE 3	TYPE 4	TYPE 4	TYPE 4	N/A

### 29 GAUGE SSP PANEL

Building having a Roof Mean Height  $\leq 20'-0"$ ,  $1/2:12 \leq$  Roof Slope  $< 2:12$ , Gable Roof  
Importance Factor 1.0, Exposure Factor C, IBC 2006 & IBC 2009

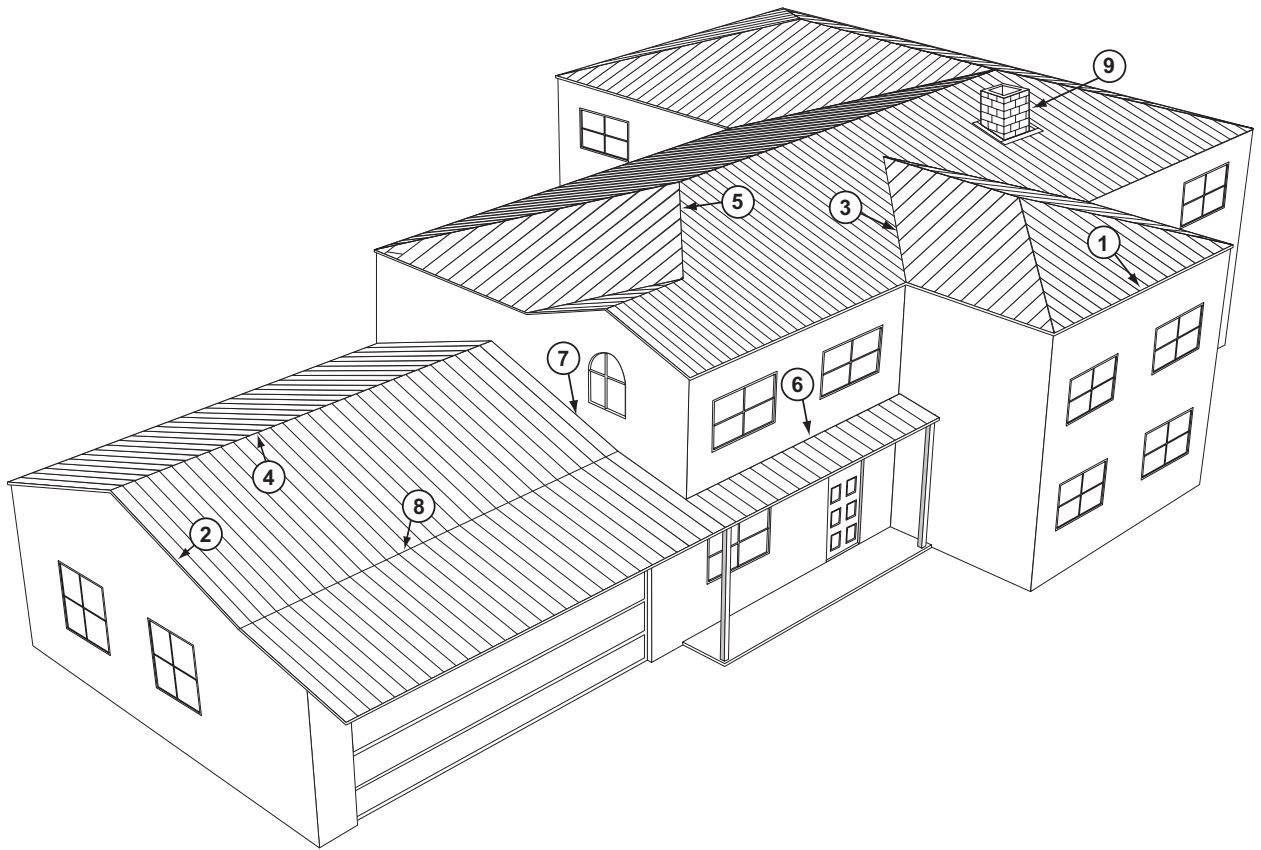
			WIND SPEED ZONE					
ZONE	PANEL FASTENER	SUBSTRATE	90	100	110	120	130	140
			Fastener Spacing	Fastener Spacing	Fastener Spacing	Fastener Spacing	Fastener Spacing	Fastener Spacing
ZONE 1	#10-14 x 1 1/2"	15/32" PLYWOOD	TYPE 1	TYPE 1	TYPE 1	TYPE 1	TYPE 1	TYPE 1
	#10-14 x 1 1/2"	1x4 WOOD PURLINS	TYPE 3	TYPE 3	TYPE 3	TYPE 3	N/A	N/A
ZONE 2	#10-14 x 1 1/2"	15/32" PLYWOOD	TYPE 1	TYPE 1	TYPE 1	TYPE 1	TYPE 1	TYPE 2
	#10-14 x 1 1/2"	1x4 WOOD PURLINS	TYPE 3	TYPE 3	TYPE 3	TYPE 3	N/A	N/A
ZONE 3	#10-14 x 1 1/2"	15/32" PLYWOOD	TYPE 1	TYPE 1	TYPE 2	TYPE 2	TYPE 2	TYPE 2
	#10-14 x 1 1/2"	1x4 WOOD PURLINS	TYPE 3	TYPE 4	TYPE 4	TYPE 4	N/A	N/A

Building having a Roof Mean Height  $\leq 20'-0"$ ,  $2:12 \leq$  Roof Slope  $\leq 6:12$ , Gable Roof  
Importance Factor 1.0, Exposure Factor C, IBC 2006 & IBC 2009

			WIND SPEED ZONE					
ZONE	PANEL FASTENER	SUBSTRATE	90	100	110	120	130	140
			Fastener Spacing	Fastener Spacing	Fastener Spacing	Fastener Spacing	Fastener Spacing	Fastener Spacing
ZONE 1	#10-14 x 1 1/2"	15/32" PLYWOOD	TYPE 1	TYPE 1	TYPE 1	TYPE 1	TYPE 1	TYPE 1
	#10-14 x 1 1/2"	1x4 WOOD PURLINS	TYPE 3	TYPE 3	TYPE 3	TYPE 3	TYPE 3	N/A
ZONE 2	#10-14 x 1 1/2"	15/32" PLYWOOD	TYPE 1	TYPE 1	TYPE 1	TYPE 1	TYPE 1	TYPE 2
	#10-14 x 1 1/2"	1x4 WOOD PURLINS	TYPE 3	TYPE 3	TYPE 3	TYPE 3	TYPE 4	N/A
ZONE 3	#10-14 x 1 1/2"	15/32" PLYWOOD	TYPE 1	TYPE 1	TYPE 1	TYPE 2	TYPE 2	TYPE 2
	#10-14 x 1 1/2"	1x4 WOOD PURLINS	TYPE 3	TYPE 3	TYPE 4	TYPE 4	TYPE 4	N/A

Details are subject to change without prior notice.

# DETAIL LOCATOR



12

DETAIL SECTION	Page
① Eave .....	13
② Gable .....	15
③ Valley .....	18
④ Ridge .....	19
⑤ Hip .....	19
⑥ Endwall to Roof Transition .....	20
⑦ Sidewall Flashing.....	21
⑧ Pitch Change .....	22
⑨ Chimney Flashing.....	24



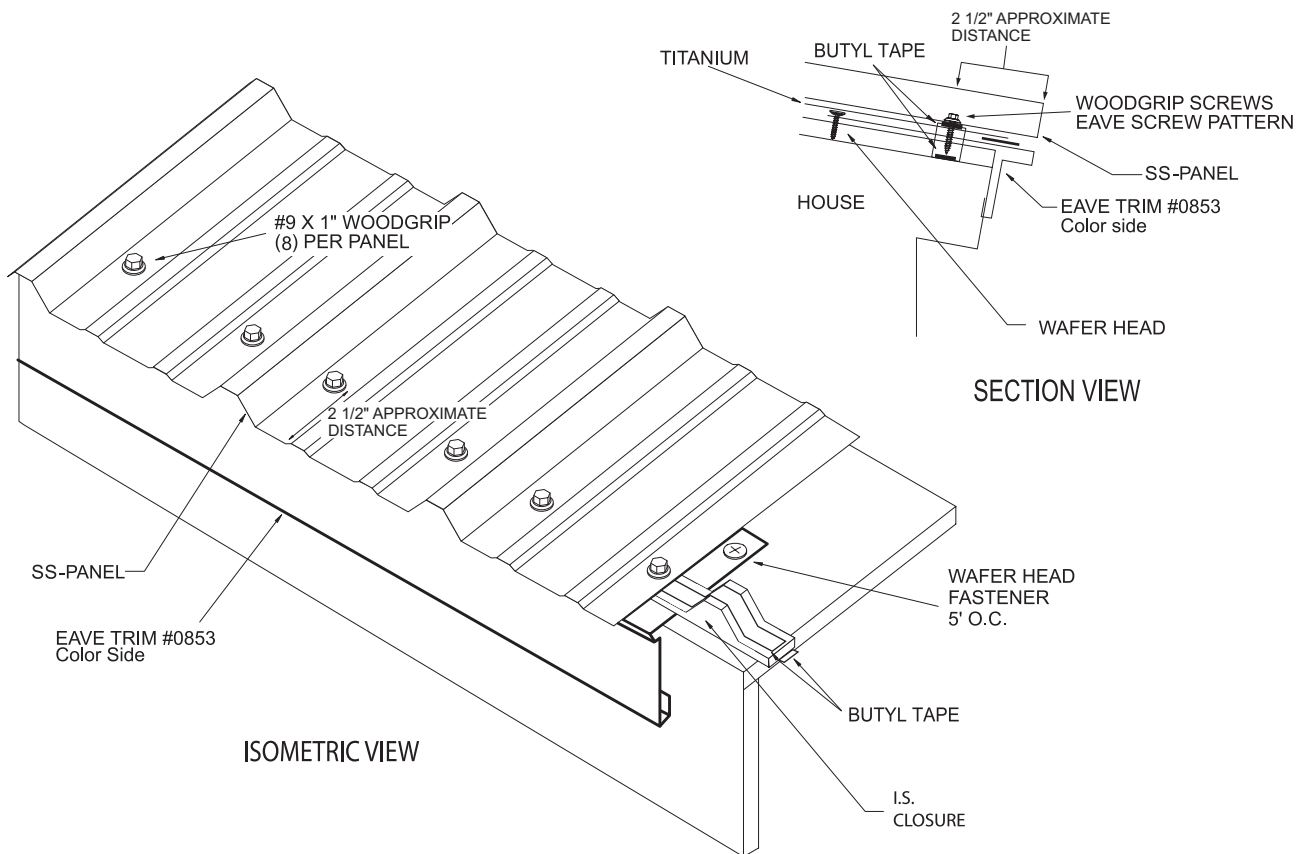
# BEGINNING THE PROJECT

## STANDARD EAVE TRIM INSTALLATION

1. Install the eave trim by sliding it underneath the underlayment and securing it to the roof surface with wafer head screws on 5' centers.
2. There are no screws or nails to be placed in the exposed fascia of the trim.
3. At the corners, cut the eave trim 1 1/2" long and prepare the ends with tabs to receive the gable trim.

**NOTE:** Alternate trim profiles are acceptable using the screw pattern shown.

**OPTION:** The overhang illustrated below may be increased to extend up to 4" past the eave trim.



**NOTE:** To comply with Texas Windstorm Certification Testing, #12x11 SDT Type A screws must be used in place of the #9 Woodgrip screws.



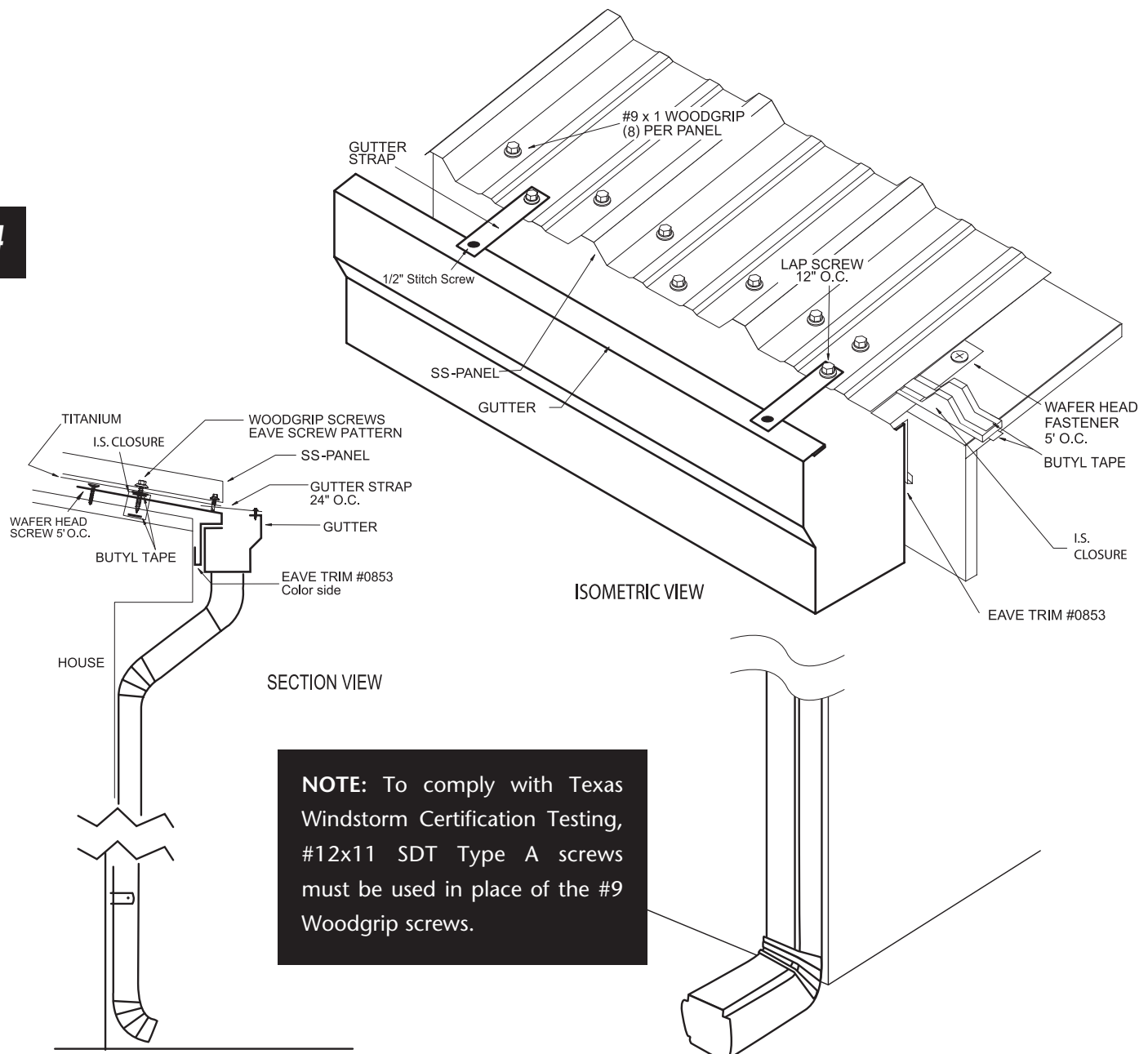
# STANDARD EAVE TRIM INSTALLATION WITH GUTTER

1. Install the eave trim to the substrate with wafer head fasteners at 5' O.C.
2. Position the roof panel so that the down slope end matches the dimension called for on the erection drawings.
3. Attach the roof panel with #9 x 1" woodgrip screw. (Refer to screw placement table).
4. Attach the roof panels at the eave with #9 x 1" woodgrip screws (Refer to screw placement table).
5. Attach the gutter with #14 x 7/8" lapteks @ 24" O.C.
6. Install the gutter strap at alternate 24" with #14 x 7/8" lapteks on the sheet end of strap, and stitch screws, pop rivets, or lap screws on gutter end of the strap.

**NOTE:** Alternate trim profiles are acceptable using the screw pattern shown.

**OPTION:** The overhang illustrated below may be increased to extend up to 4" past the eave trim.

14

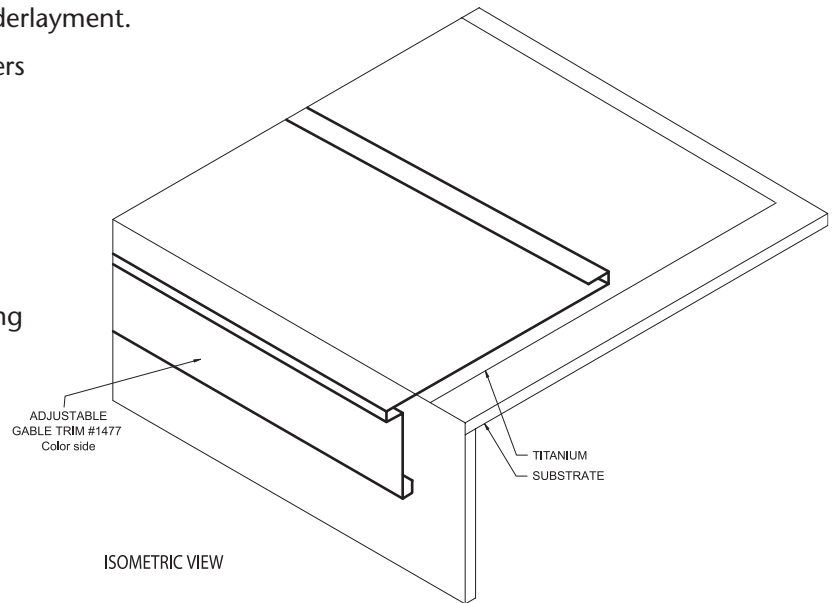
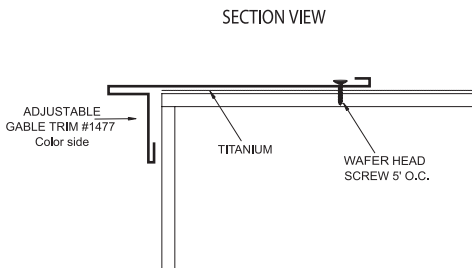


Details are subject to change without prior notice.

# STANDARD ADJUSTABLE GABLE & STRIP INSTALLATION

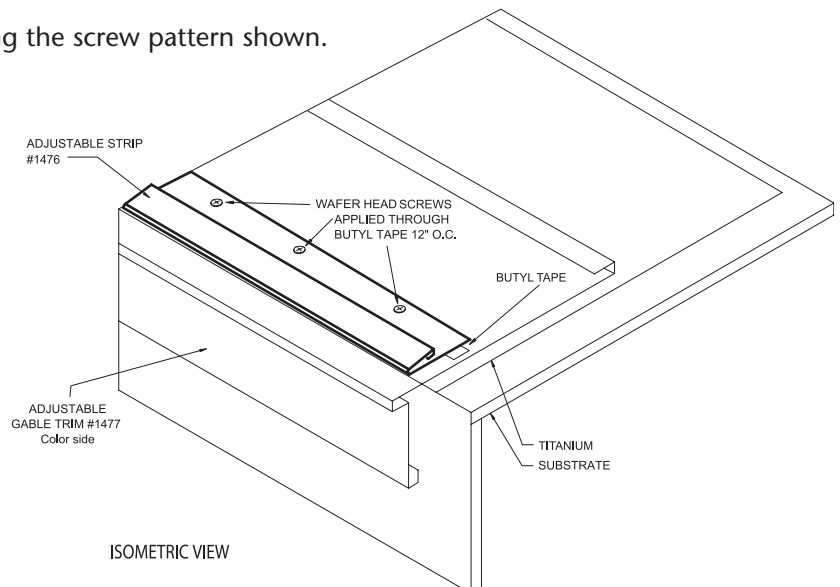
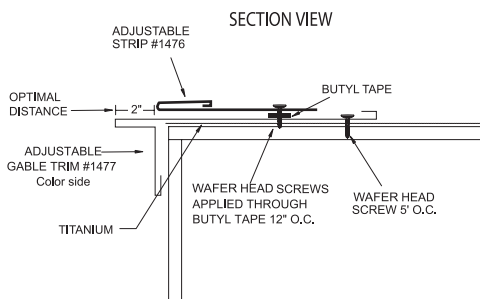
1. Starting at the corner, install the adjustable gable trim along the sloping gable, placing it on top of the underlayment.
2. Attach with wafer head screws 5' on centers (adjustable strip applied after valley trim).
3. Slide gable trim over eave trim at corner.
4. At the peak, one gable trim should be cut vertical to the ground and overlap at the junction of the two gable trims.

**NOTE:** Alternate trim profiles are acceptable using the screw pattern shown.



1. If valley trim is intersecting the gable, the valley must be installed first.
2. Pre-drill 1/8" holes on 12" centers along the length of adjustable gable strip #1476.
3. Butyl tape should be applied to the bottom of the strip covering pre-drilled holes. Place the strip the desired distance from the outside edge of the gable trim (optimal distance 2"), making sure it is aligned parallel to the gable, perpendicular to the eave line and between the open hem at the edge of the adjustable gable trim and the outside of the trim.
4. The adjustable strip is attached to the roof with wafer head screws on 12" centers from eave to ridge using pre-drilled holes, making sure the screws are applied through the butyl tape. This condition exists in both Starting Panel and End Panel Installation.

**NOTE:** Alternate trim profiles are acceptable using the screw pattern shown.



# STARTING AND ENDING PANEL INSTALLATION



## Starting Panel

1. Apply adjustable strip as previously instructed.
2. Remove the first rib of the panel, making a straight cut the length of the panel.
3. Apply butyl tape continuously down the length of the adjustable strip, covering the wafer head screw.
4. Insert the cut edge of the panel into the strip, making sure the panel is seated fully into the strip.
5. Attach the panel to the roof with #9 x 1" woodgrip screws on the required centers.
6. Apply 1/2" x 3/32" butyl tape continuously on the top of the outside rib before applying the next panel.

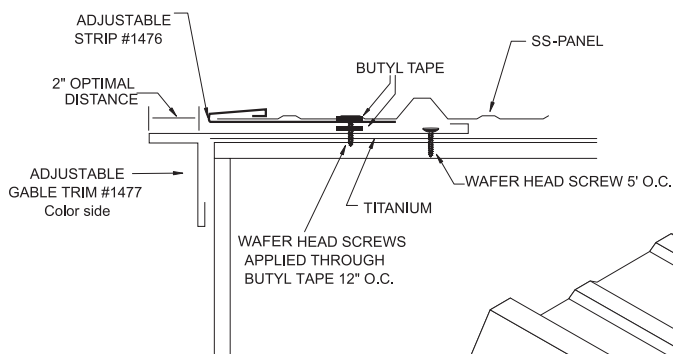
**NOTE:** Alternate trim profiles are acceptable using the screw pattern shown.

## Ending Panel

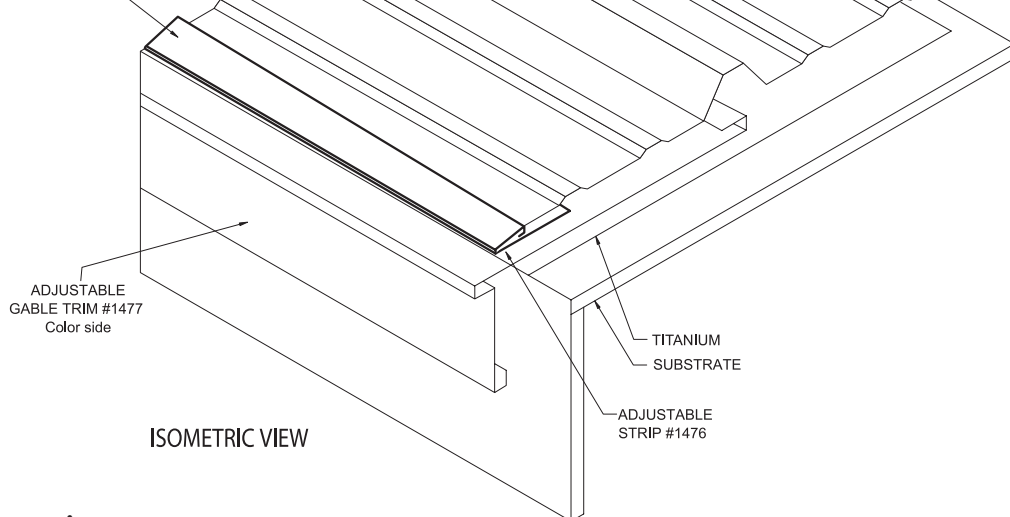
1. Remove the last rib of the panel at a point that is inside the adjustment portion of the gable trim, making a straight cut the length of the panel (optimal 2" from gable edge).
2. Apply adjustable strip as previously instructed.
3. Test apply the panel to assure proper fit.
4. Apply butyl tape and apply last panel into strip, making appropriate panel lap.

**NOTE:** Alternate trim profiles are acceptable using the screw pattern shown.

SECTION VIEW



ADJUSTABLE STRIP #1476



ISOMETRIC VIEW

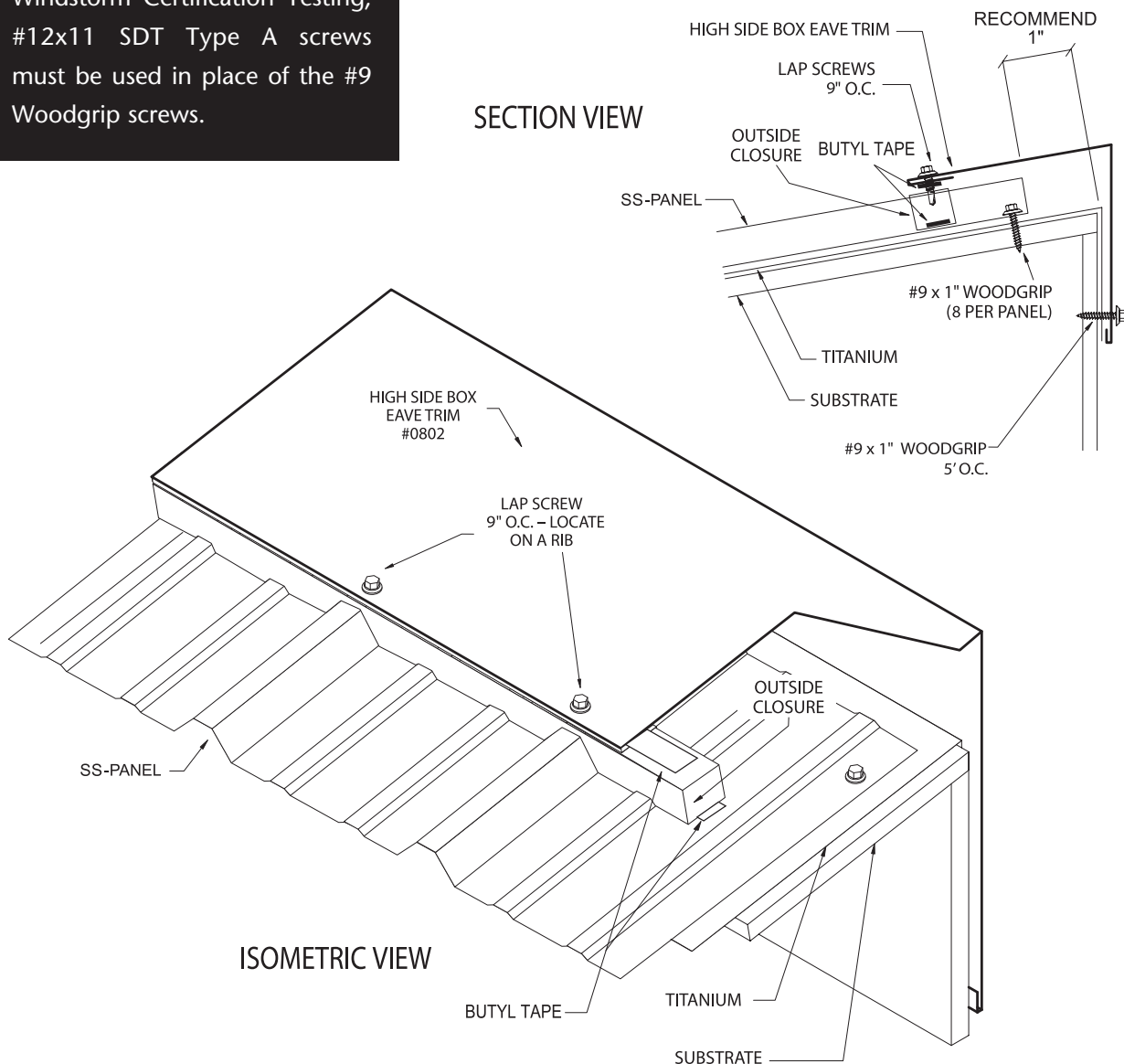
**NOTE:** To comply with Texas Windstorm Certification Testing, #12x11 SDT Type A screws must be used in place of the #9 Woodgrip screws.

# HIGH SIDE RESIDENTIAL EAVE TRIM INSTALLATION

1. Ensure the roof panel is installed completely. Reference the erection drawings for the top dimension to ensure correct installation.
2. Install the outside closure on the top of the roof panel, make sure the closure is in line with the extended flange of the high side eave trim.
3. Install the high side eave trim.
4. Attach the high side eave trim with lap screws @ 9" O.C. locate the screws on the high ribs to prevent dimpling of the eave trim due to over-tightening.

**NOTE:** Alternate trim profiles are acceptable using the screw pattern shown.

**NOTE:** To comply with Texas Windstorm Certification Testing, #12x11 SDT Type A screws must be used in place of the #9 Woodgrip screws.



# VALLEY PANEL AND TRIM INSTALLATION

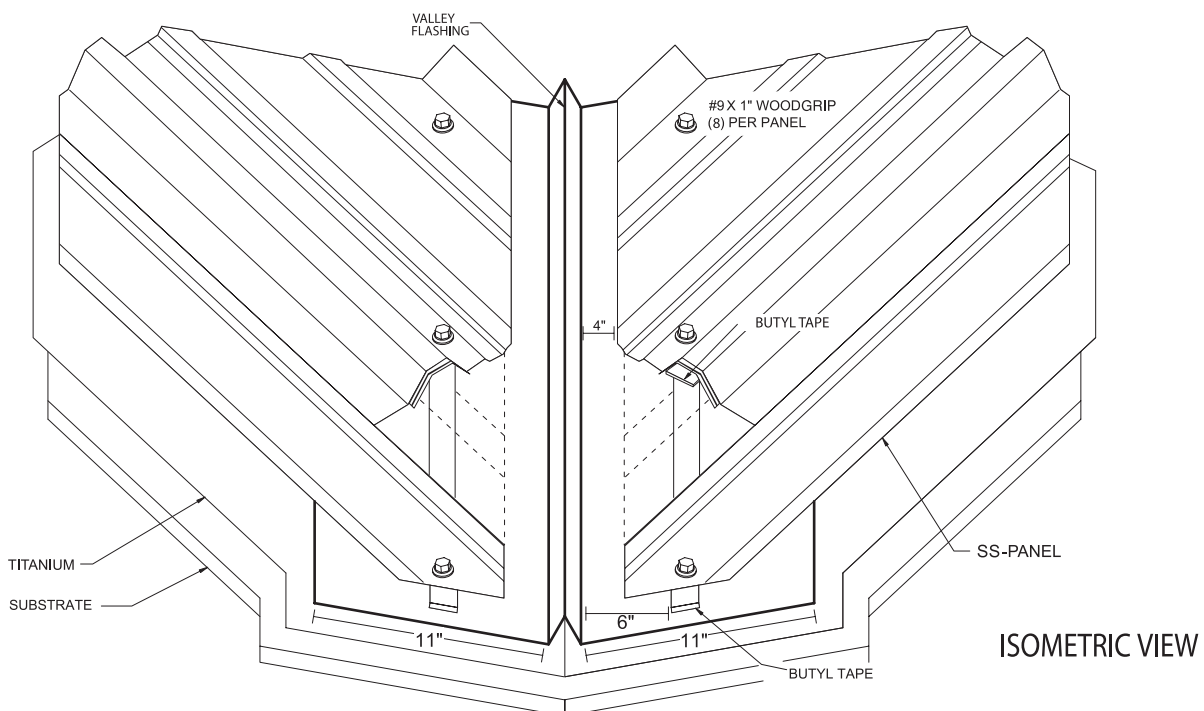
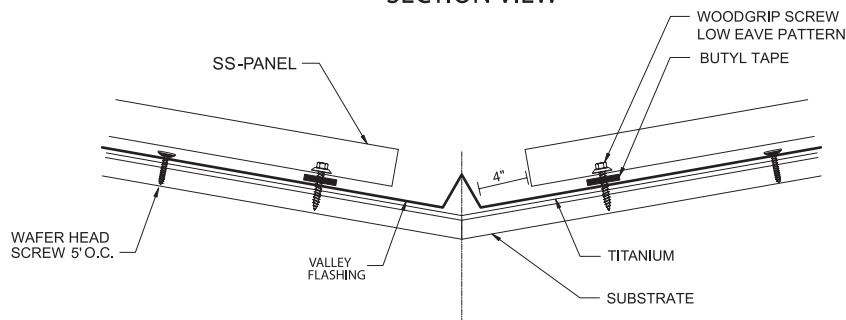


1. Start at the low end, trim and place the valley flashing. The valley end should overhang the eave trim 1".
2. If there is an end lap required in the valley pieces, caulk and lap at least 8".
3. Use wafer head screws on 5' centers to secure the valley in place along the outside edge.
4. Hem the edges of the valley over the eave trim, after trimming the center "V" back 1" to align with the edge of the eave. Leave a tab to bend and cover the exposed opening of the center "V".
5. Place butyl tape on the upper surface of the valley 6" up slope from the "V" of the valley trim, before applying intersecting panels.
6. Field cut the panels that intersect the valley holding the end of the panel 4" back from the "V" of the valley trim and parallel to the "V" of the valley.
7. Attach panel at valley using eave screw requirements for panel being installed.

**NOTE:** Alternate trim profiles are acceptable using the screw pattern shown.

**NOTE:** To comply with Texas Windstorm Certification Testing, #12x11 SDT Type A screws must be used in place of the #9 Woodgrip screws.

SECTION VIEW



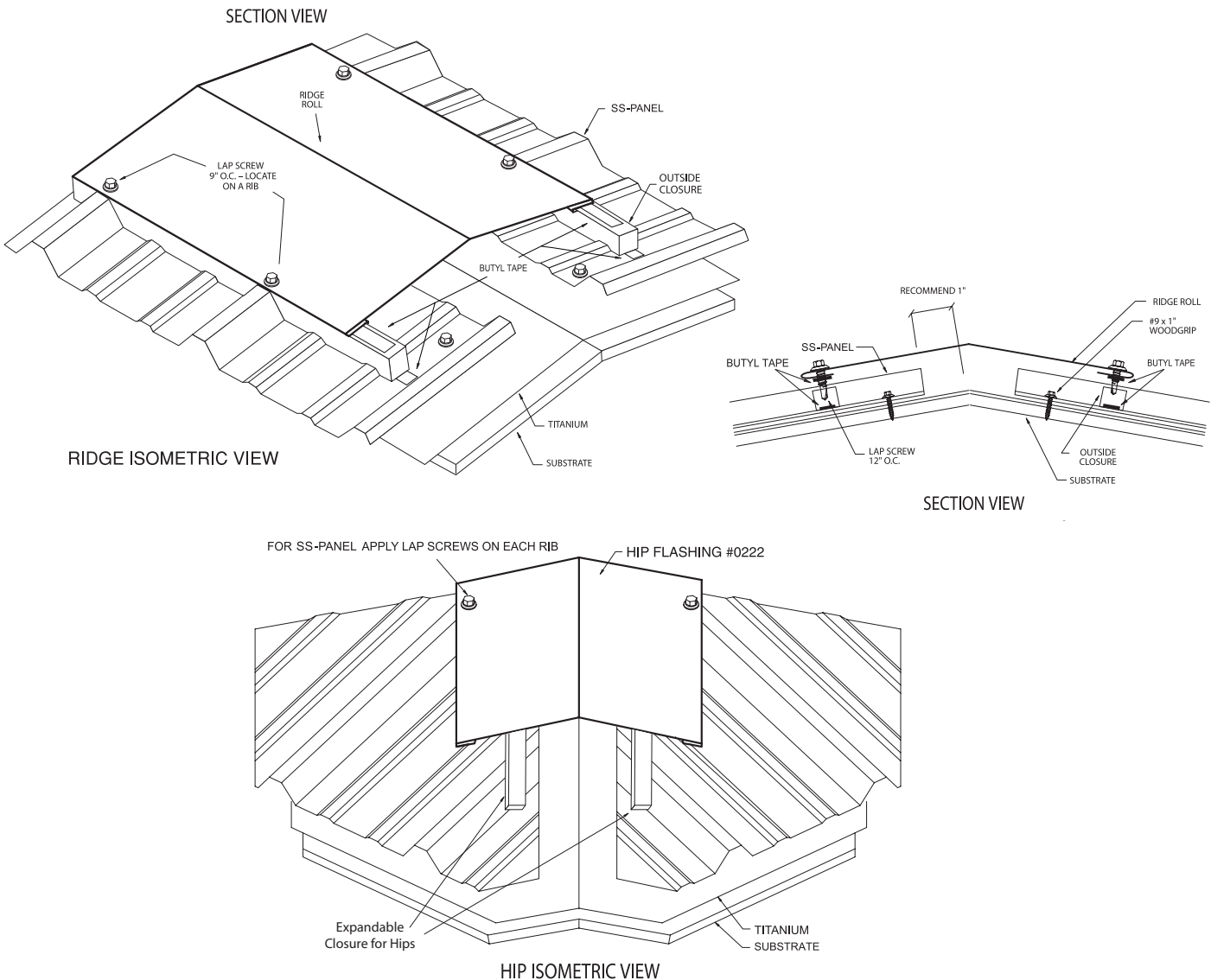
ISOMETRIC VIEW



# STANDARD RIDGE ROLL and HIP INSTALLATION

1. Ensure the roof panel is installed completely. Reference the erection drawings for the top dimension to ensure correct installation.
2. Install the outside closure on the top of the roof panel. Make sure the closure is in line with the extended flange of the ridge roll.
3. Repeat the above steps on the other side of the ridge making sure that the flanges of the ridge roll line up with the placement of the closure.
4. Install the ridge roll.
5. Attach the ridge roll with lap screws @ 9" O.C. locate the screws on the high ribs to prevent dimpling of the ridge roll due to over-tightening.
6. Before the ridge trim is installed, if the pitch of the roof is 4:12 or less, the end of the panel that is under the ridge or hip trim should be bent up between the high ribs to prevent moisture blow back.

**NOTE:** Alternate trim profiles are acceptable using the screw pattern shown.



# ENDWALL TO ROOF FLASHING INSTALLATION

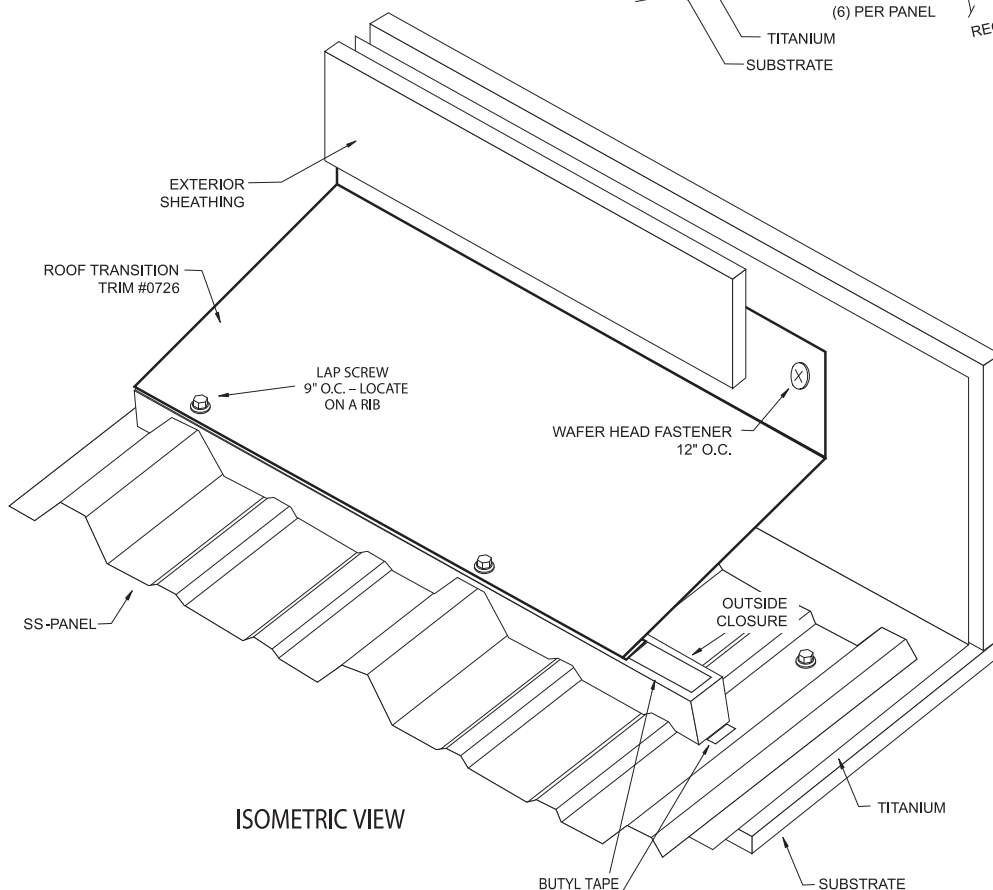
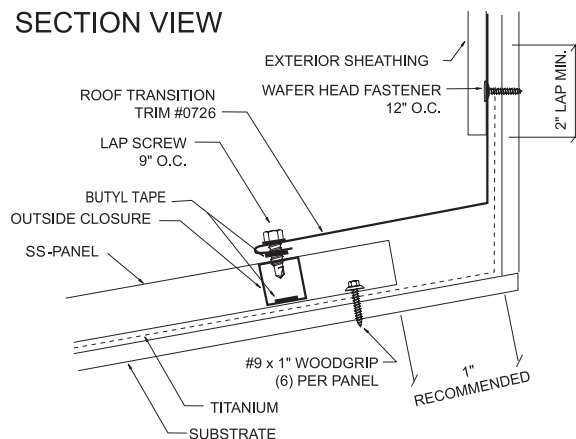
1. Insert the endwall flashing (#0726) behind the existing wall counter-flashing and attach to the wall using appropriate fasteners. Make sure the receiver hem of the endwall flashing is resting on the top of the roof sheet rib. If required, cap the ends of the trim by cutting and folding a tab. Remove the hems before making the folds.
2. If there is no counter-flashing, install counter-flashing using appropriate fasteners.
3. Install the outside closure on top of the roof panel. Make sure the closure is in line with the lower flange of the endwall trim.
4. Install the endwall trim by attaching with lap screws @ 9" O.C. Locate the screws at the high ribs to prevent dimpling of the endwall trim due to over-tightening.
5. All end laps should be at least 4". Remove 4" of the hem on the overlapping piece and secure to the overlapped piece with caulk and stitch screws.

**NOTE:** Alternate trim profiles are acceptable using the screw pattern shown.

**NOTE:** To comply with Texas Windstorm Certification Testing, #12x11 SDT Type A screws must be used in place of the #9 Woodgrip screws.

20

SECTION VIEW



Details are subject to change without prior notice.

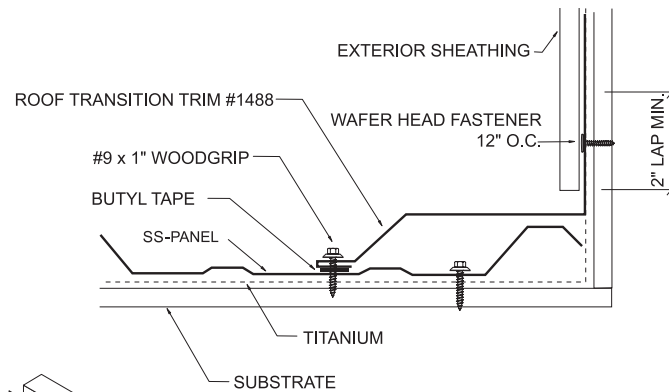


# SIDEWALL FLASHING INSTALLATION

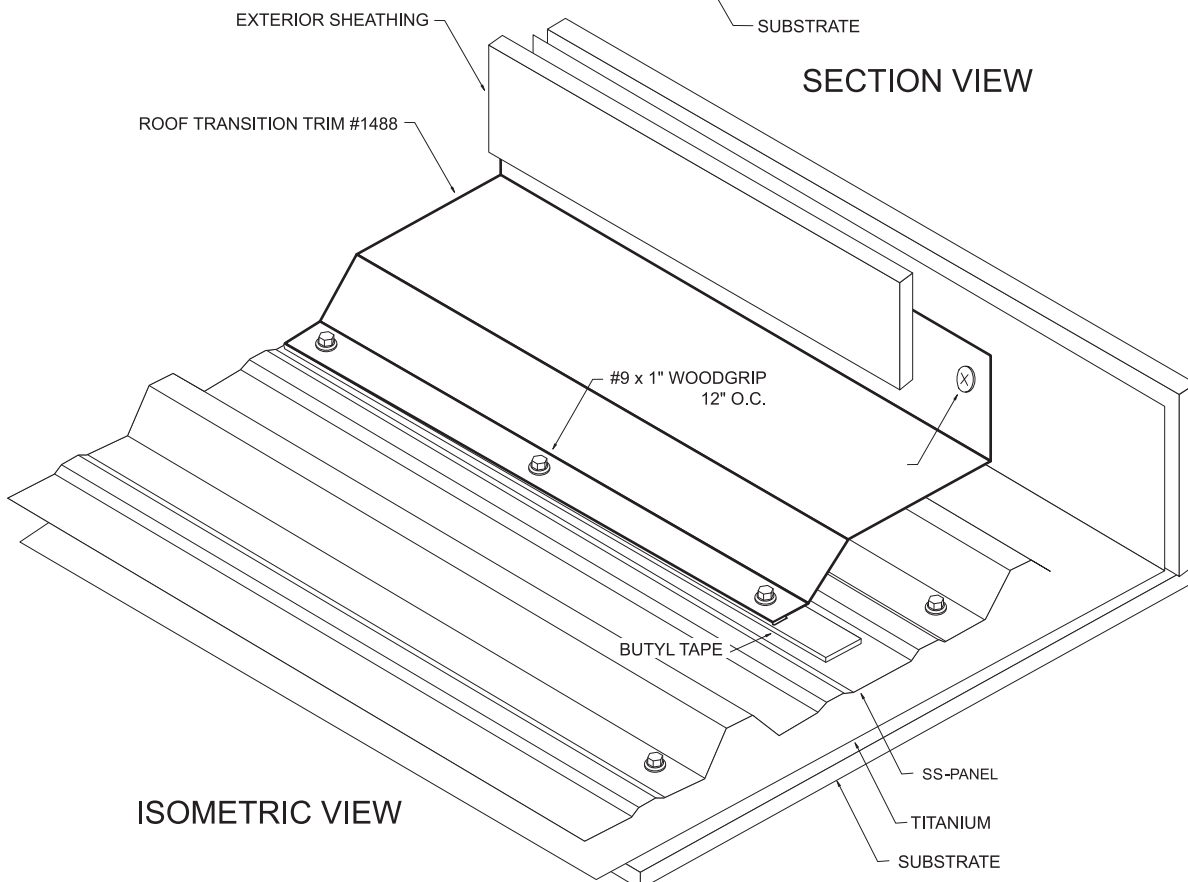
1. Install the butyl tape to the top of the roof panel. Make sure the tape is running parallel to the panel ribs and is in the correct location to line up with the extended flange of the roof transition trim.
2. Insert the sidewall flashing behind existing counter-flashing with the extended flange centered over the butyl tape.
3. Attach the transition trim with #9 x 1" woodgrip screws @ 12" O.C.
4. If there is no existing counter-flashing, install counter-flashing to wall with appropriate fasteners.

**NOTE:** Alternate trim profiles are acceptable using the screw pattern shown.

**NOTE:** To comply with Texas Windstorm Certification Testing, #12x11 SDT Type A screws must be used in place of the #9 Woodgrip screws.



SECTION VIEW



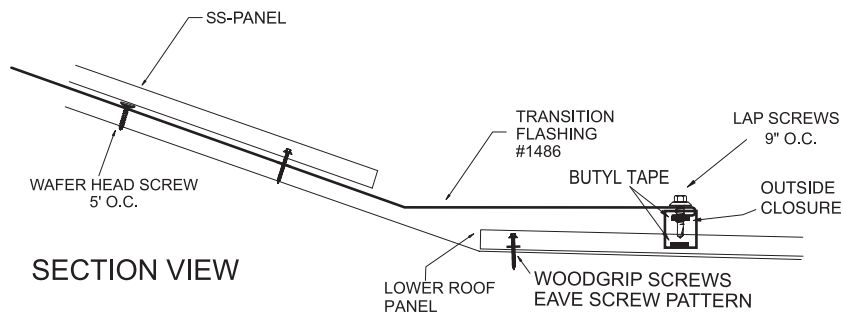
ISOMETRIC VIEW

# ROOF PITCH CHANGE INSTALLATION

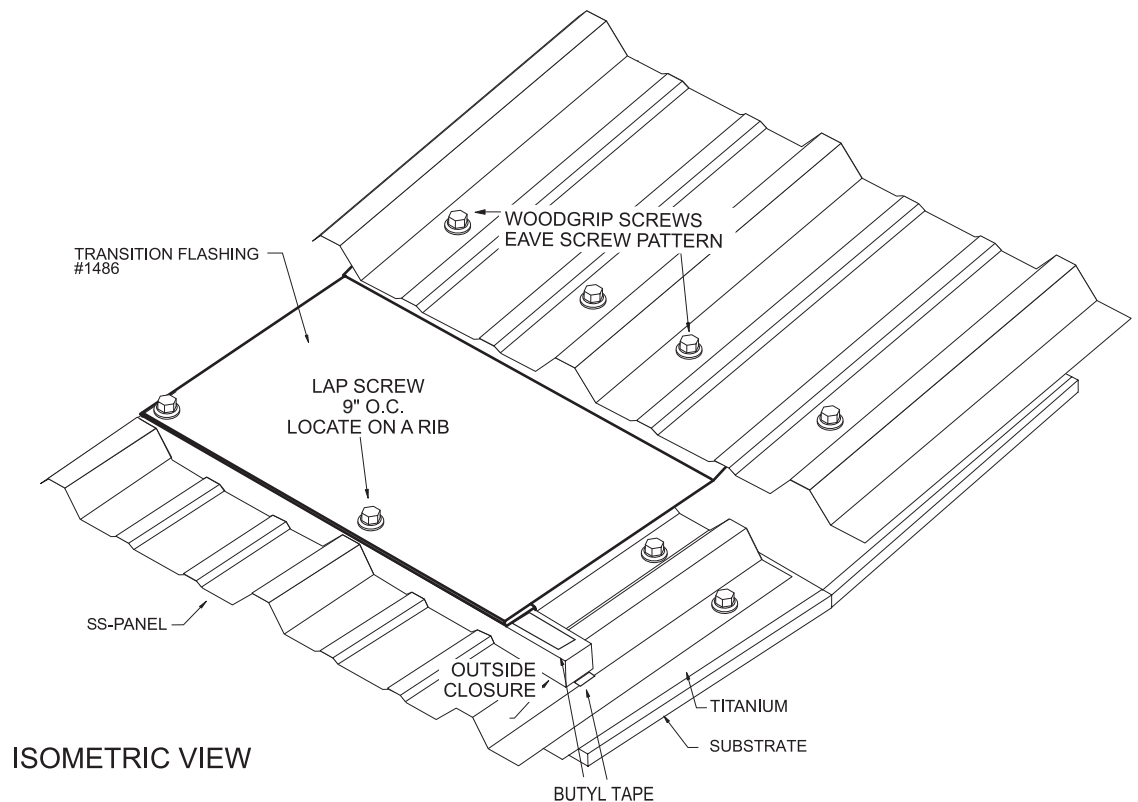


1. Apply lower panels.
2. Install the transition flashing (#1486) making sure the bottom portion of the flashing is at the same pitch as the lower panels. Attach to decking 1" from top of flashing with wafer head screws on 5' centers.
3. Install outside closure on top of the lower panel. Make sure the closure is in line with the lower flange of the transition trim.
4. Attach using lap screw, 9" on center at the rib.
5. All trim end laps should be at least 4". Secure to the overlapped piece with caulk and stitch screws.
6. Cap the ends of the trim by cutting and folding a tab that attaches to the gable trim. Capping is usually easier to do before the trim is installed. If done after the trim is installed, be sure and leave 6" of the trim overhanging to allow enough material for the cut and folds.
7. Before applying the upper panels, place a row of butyl tape continuously along the trim at a point where the screws holding the lower end of the upper panel will go through the butyl tape. This is usually 4" uphill from the bottom of the upper sheet. Use eave screw pattern.

**NOTE:** Alternate trim profiles are acceptable using the screw pattern shown.



SECTION VIEW



ISOMETRIC VIEW

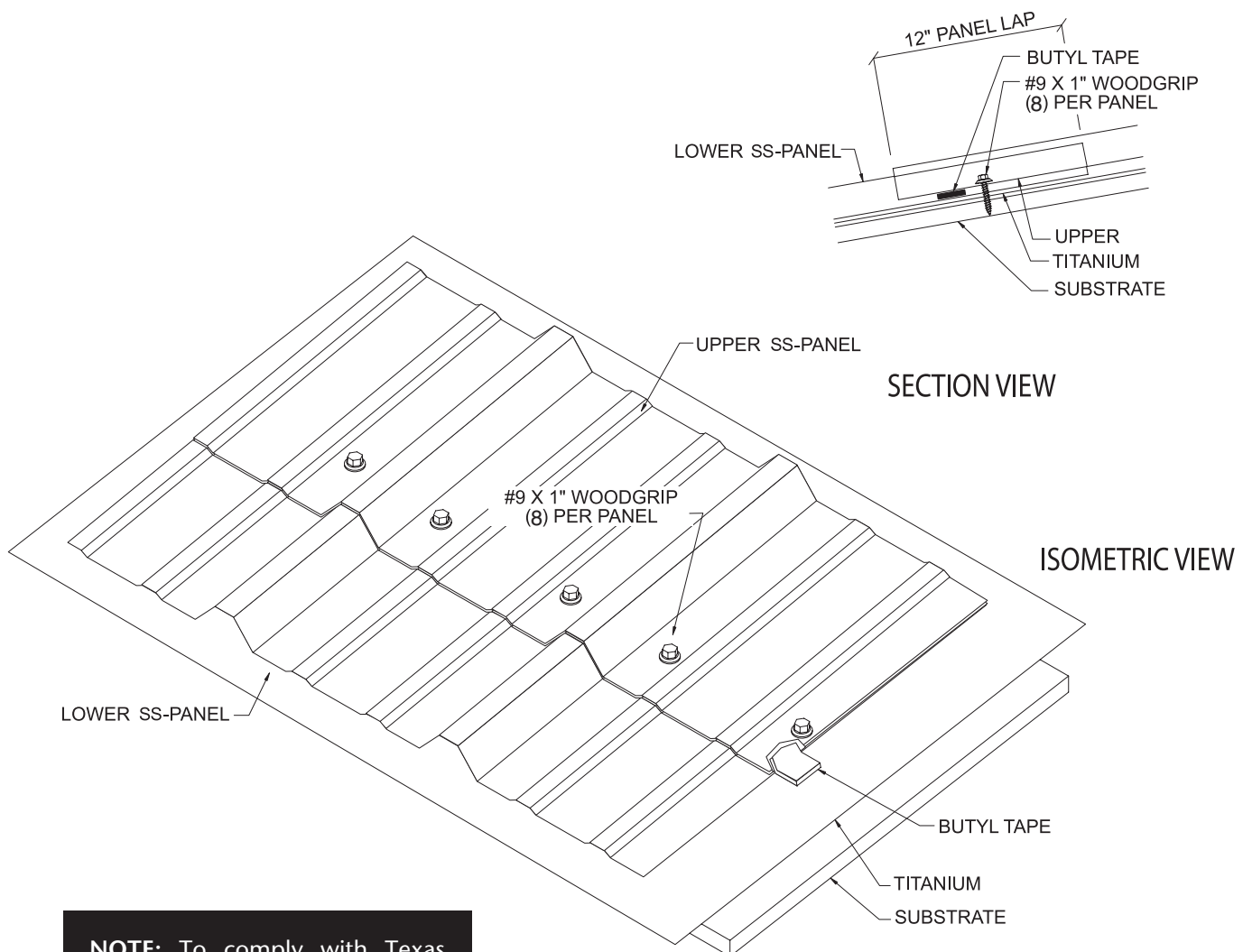
Details are subject to change without prior notice.



# STANDARD PANEL ENDLAP

1. Ensure the lower panel is installed completely (except for the top fasteners).
2. Install the tape sealant 10" from the top of the lower panel. Do not remove the paper backing from the tape sealant until upper roof panel lap and the top dimension have been confirmed. Reference the erection drawings for the top dimension.
3. Position the roof panel so that a 12" panel lap is achieved.
4. Remove paper backing and compress the sealant between the upper and lower roof panels.
5. Attach the upper roof panel through the lower roof panel with #9 x 1" (min.) woodgrip screws, (8) per panel making sure the screw line is above the tape sealant.

**NOTE:** Alternate trim profiles are acceptable using the screw pattern shown.



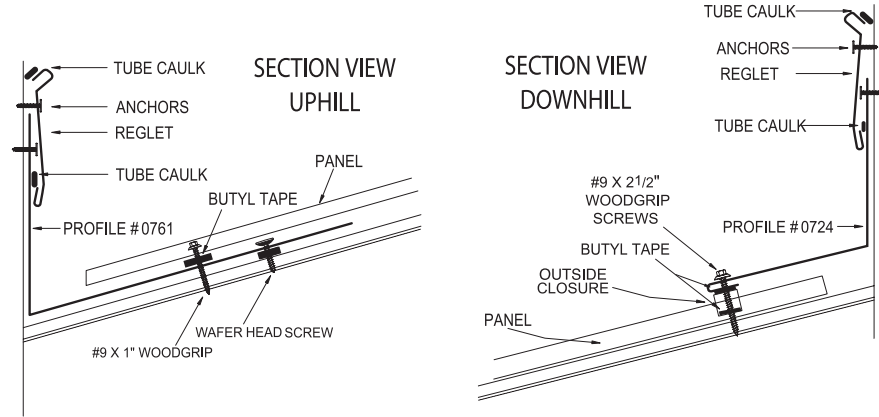
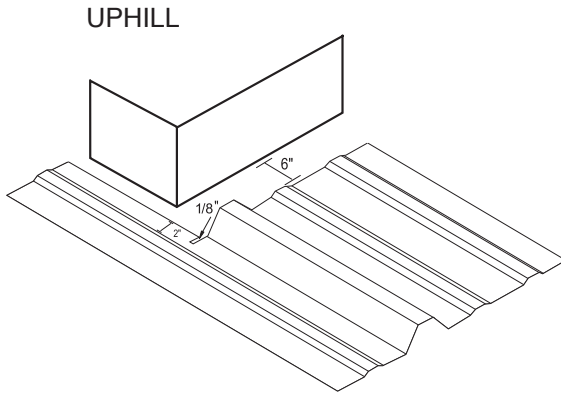
**NOTE:** To comply with Texas Windstorm Certification Testing, #12x11 SDT Type A screws must be used in place of the #9 Woodgrip screws.



# CHIMNEY INSTALLATION



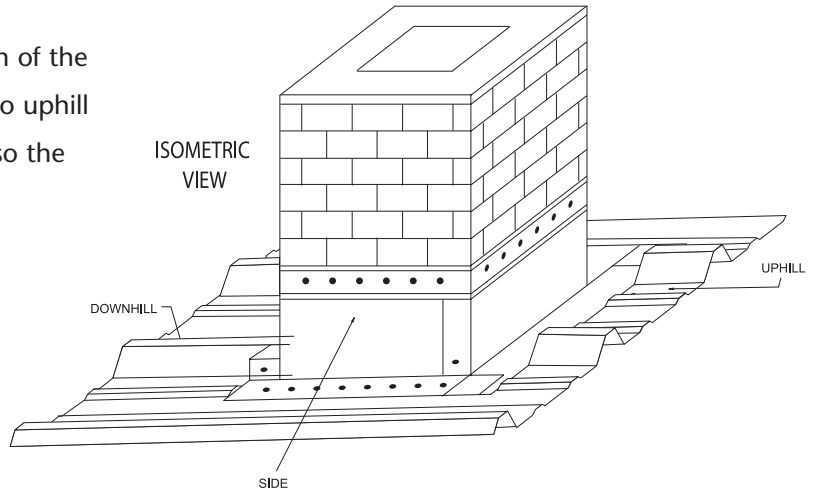
## CHIMNEY FLASHING - UPHILL AND DOWNHILL



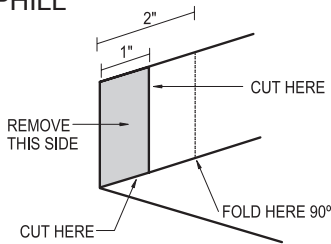
24

The uphill flashing will be 4" wider than the width of the curb (2" on each side). Cut an 1/8" slot in the two uphill corners of the panel slightly wider than 2 1/16", so the uphill flashing can slide through the two slots.

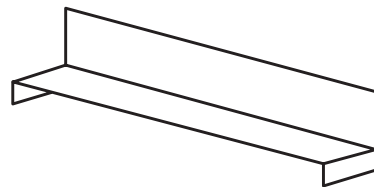
ISOMETRIC VIEW



UPHILL



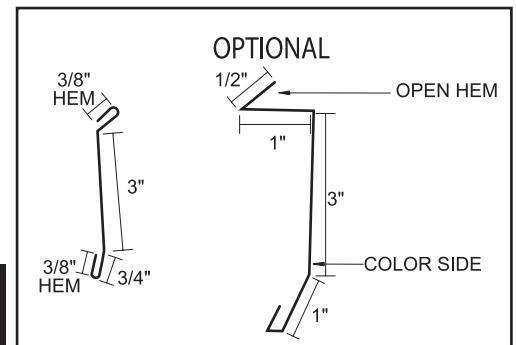
DOWNHILL



1. Trim both ends of the uphill and downhill sides of the flashing as indicated.
2. Slide the uphill flashing into the slots of the roofing and apply liberal amount of tube caulk.

**NOTE:** Alternate trim profiles are acceptable using the screw pattern shown.

**NOTE:** To comply with Texas Windstorm Certification Testing, #12x11 SDT Type A screws must be used in place of the #9 Woodgrip screws.



Details are subject to change without prior notice.



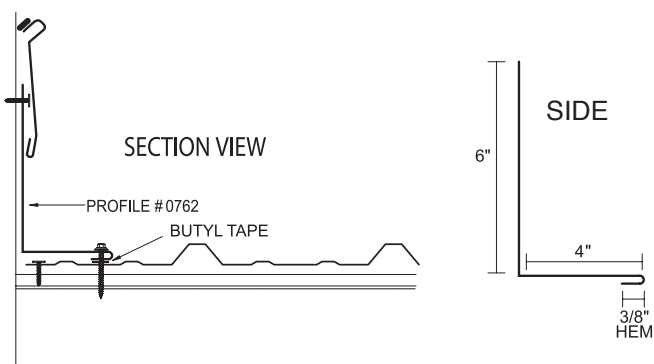
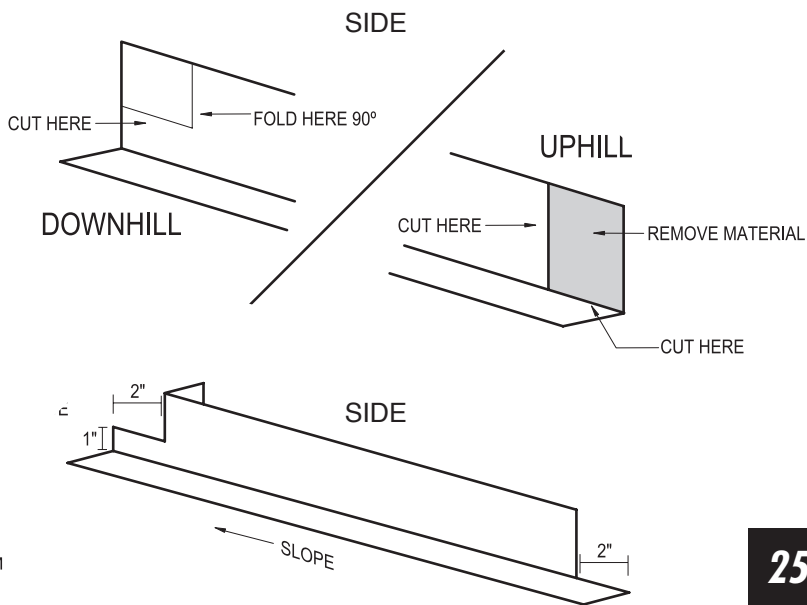
# CHIMNEY INSTALLATION

## CHIMNEY FLASHING - SIDE

1. Trim and bend the right side flashing as indicated.
2. Trim the left side in a similar fashion.

**NOTE:** Alternate trim profiles are acceptable using the screw pattern shown.

**NOTE:** The left and right side flashing are mirror images of each other.



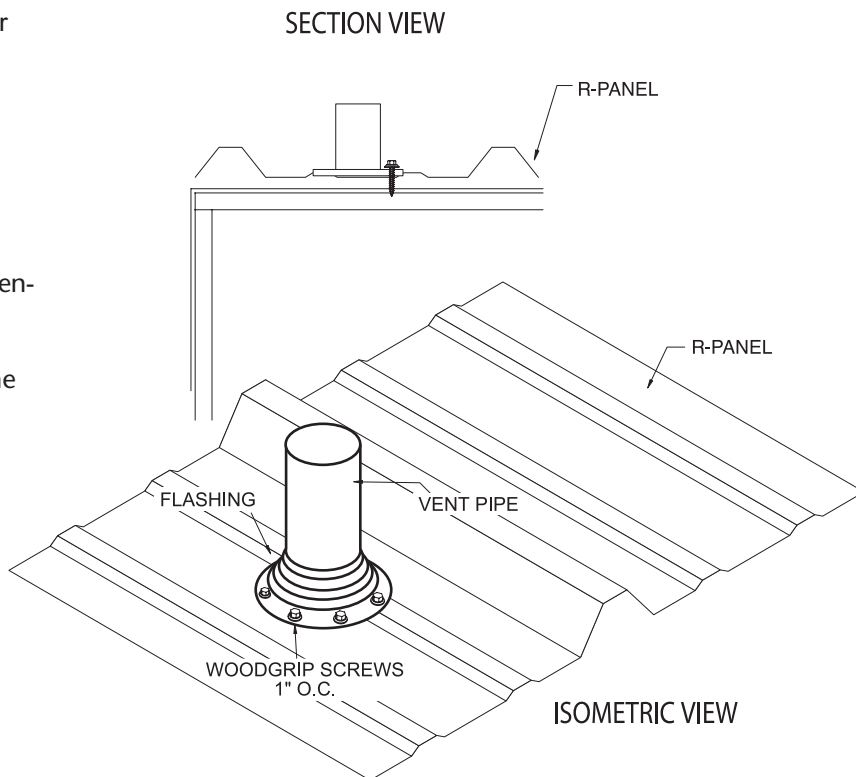
## FLASHING - VENT

**Procedures:**

1. Trim the opening in the flashing to 20% smaller than the pipe diameter.
2. Slide the flashing down over the pipe.
3. Seal between the flashing and the roofing with tube caulk and set the flashing.
4. Form the flashing to fit the profile of the roof.
5. Fasten the flashing with woodgrip screws 1" on centers.

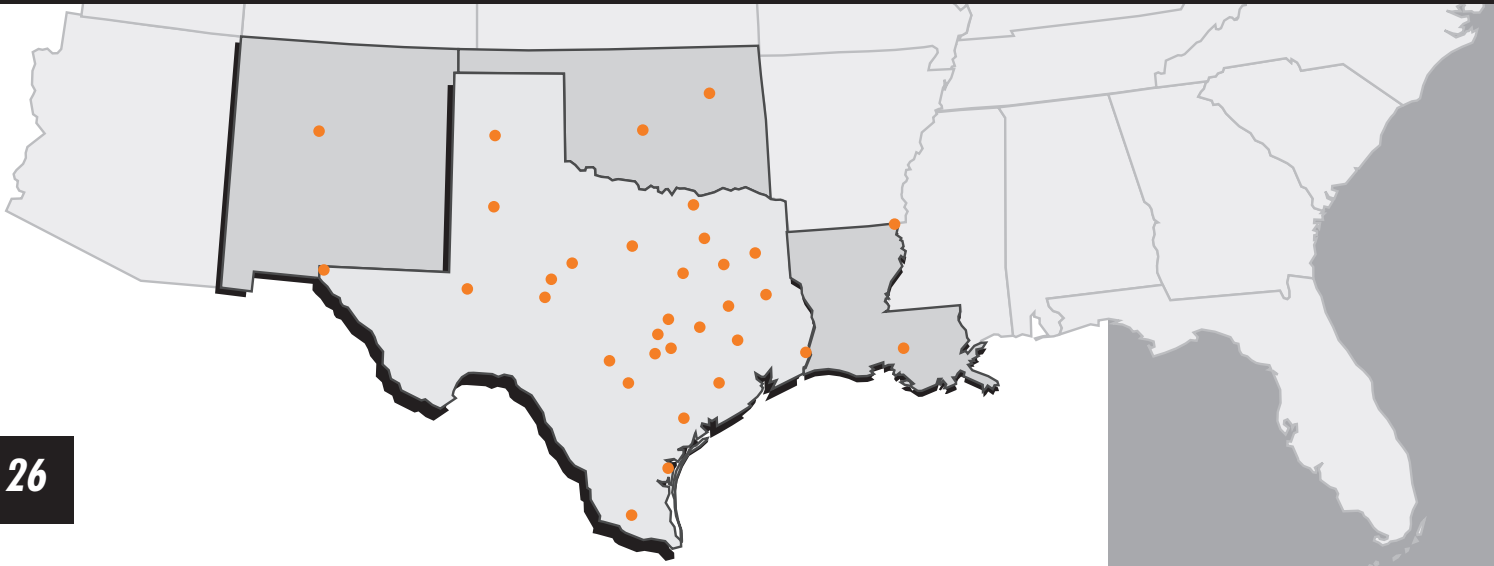
**NOTE:** Alternate trim profiles are acceptable using the screw pattern shown.

**NOTE:** In many cases it may be easier to locate vent/pipe flashing in the flat area of the roof panel (as shown) rather than have the penetration occur at a panel rib. Determining panel layout prior to installation often simplifies flashing installation.





**IronClad Guarantee**



**26**

## FIND OUT MORE ABOUT MUELLER, INC.

### Call

**877-2-MUELLER (877-268-3553)**

This toll-free number connects you to the branch nearest you.  
We have more than 30 locations across the Southwest.

### Click

**[www.MuellerInc.com](http://www.MuellerInc.com)**

Our interactive website offers photos and detailed product information.

### Come by

Our local branches are staffed with experts who are always happy to answer any questions you may have.



Mueller's #1, 26 and 29 gauge, SS-Panels have received the Underwriter's Laboratory UL2218 Approved Class 4 Premium Rating

**Details are subject to change without prior notice.**