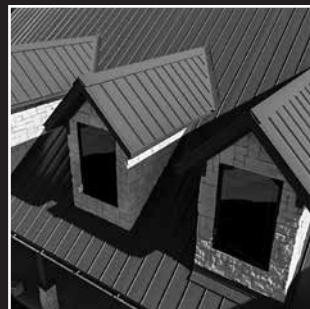




# steel building & residential metal roofing trim components

877-2-MUELLER (877-268-3553) [www.MuellerInc.com](http://www.MuellerInc.com)



# Rugged steel buildings and responsive service. That's Mueller.

Mueller is pleased to present high-quality trim components for our complete line of steel buildings.

In this catalog, you'll find everything you need to give Mueller steel buildings a finished, customized appearance — from corner boxes to peak boxes, from door trims to gutters.

Of course, if you ever have questions about our trim components — or any Mueller product — just call one of our knowledgeable sales associates. You can also find the answers to many questions online at [www.MuellerInc.com](http://www.MuellerInc.com), where you can access photos, detailed product information, installation manuals, and directions to all of the Mueller branches.

We appreciate your business, and hope that you continue to choose Mueller for all of your steel building needs!

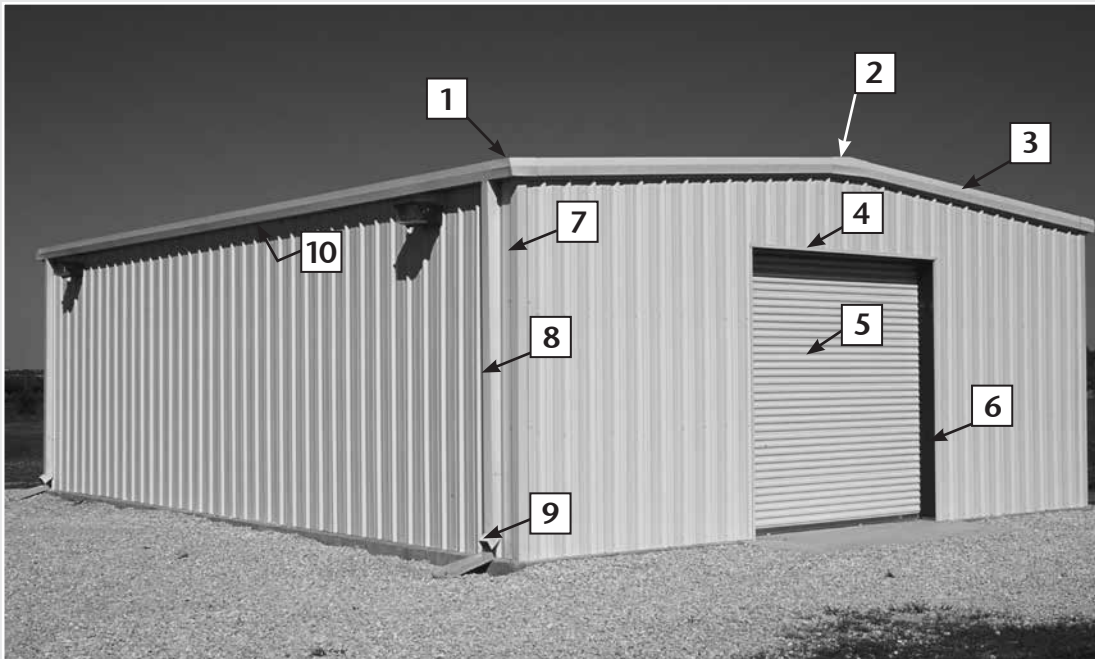
---

## table of contents

- 3 steel building trim components
  - 19 residential trim components
  - 29 additional products
  - 30 sales policy
  - 31 index
  - 32 contact information
- 

[www.MuellerInc.com](http://www.MuellerInc.com)

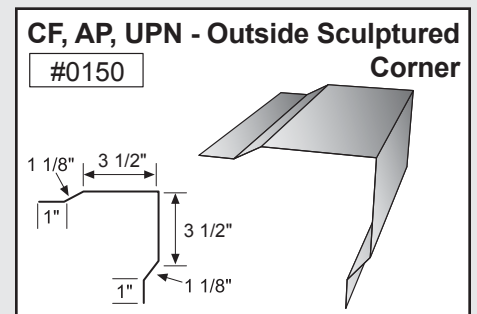
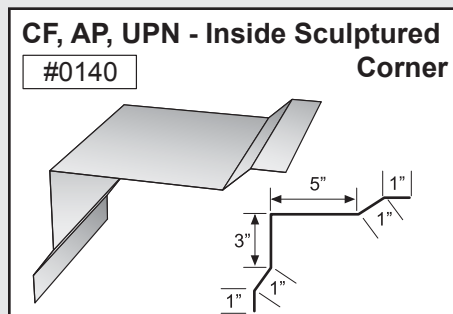
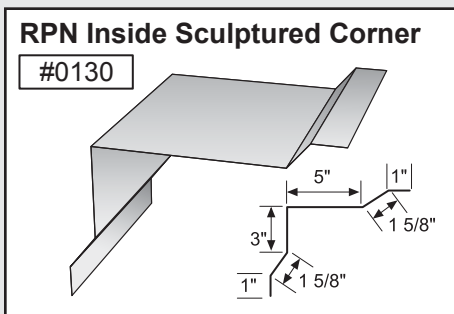
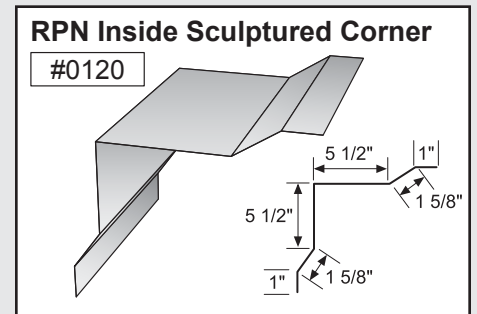
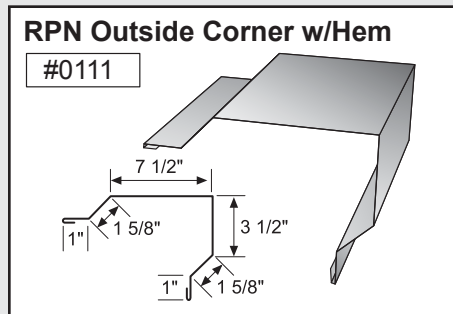
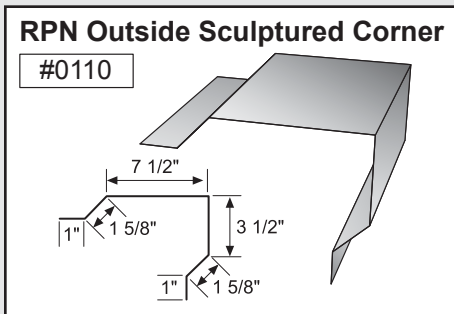
---



- Corner Box ——— **1**
- Peak Box ——— **2**
- Rake Trim ——— **3**
- Door Head Trim ——— **4**
- Roll-Up Door ——— **5**
- Jamb Trim ——— **6**
- Corner Trim ——— **7**
- Downspout ——— **8**
- Downspout Kickout ——— **9**
- Gutter or Eave Trim ——— **10**

Mueller trim components can provide a cleaner and more finished look for your building. In an effort to minimize paint scratches during transit, we apply a protective plastic coating to some trim items. Be sure to remove the protective coating before installation. Avoid exposing the items to direct sunlight, which could make the plastic more difficult to remove.

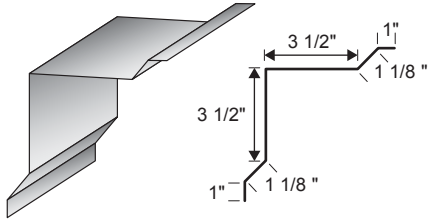
## CORNER TRIM



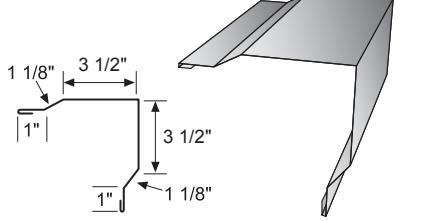
Standard profiles are shown. Need custom shaped profiles? Just contact a Mueller Sales Representative.

## CORNER TRIM CONTINUED

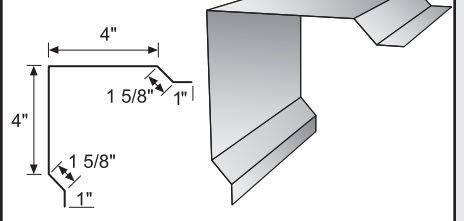
UPN, CF, AP -  
#0151 Inside Corner - 11.25"



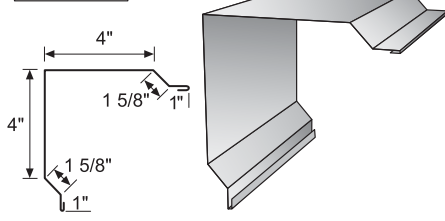
CF, AP, UPN - Outside Sculptured  
#0152 Corner w/Hem



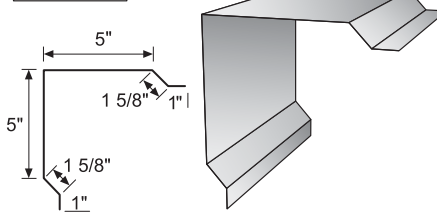
RPN - Outside Sculptured Corner  
#0160



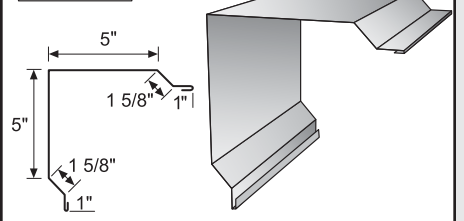
RPN Outside Corner w/Hem  
#0161



Outside Corner  
#0162 RPN 15.25"

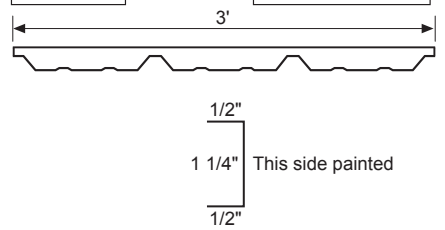


Outside Corner w/Hem  
#0163 RPN 16.25"

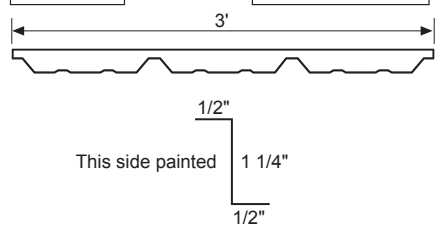


## CLOSURES

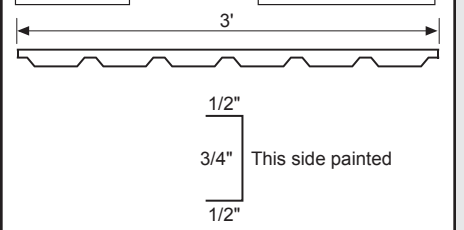
RPN OS Closure "C"  
#0327 Vented #0336



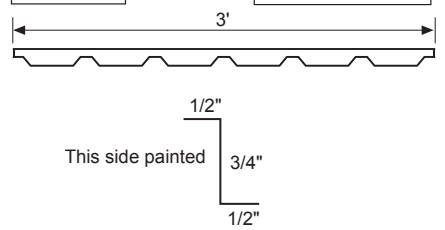
RPN OS Closure "Z"  
#0329 Vented #0337



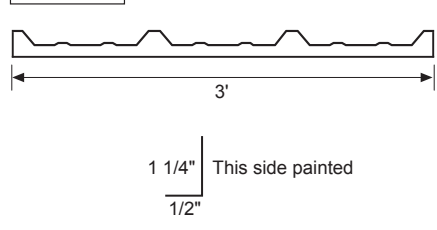
UPN OS Closure "C"  
#0332 Vented #0334



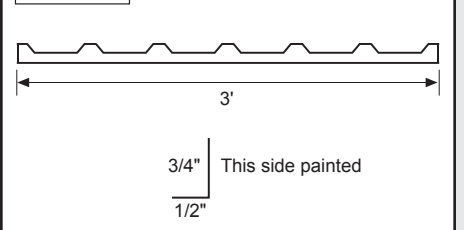
UPN OS Closure "Z"  
#0333 Vented #0335



RPN IS Closure 3'  
#0338

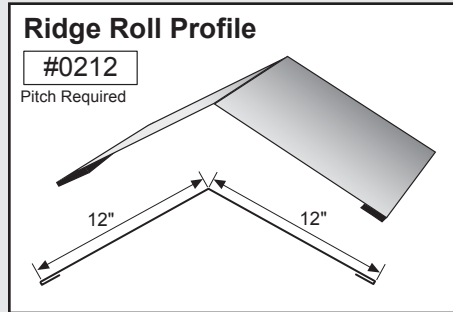
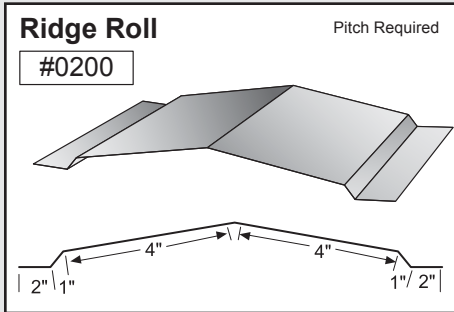


UPN IS Closure 3'  
#0339

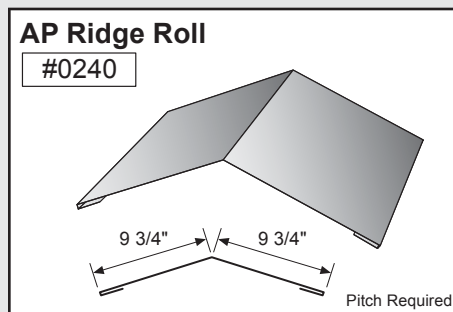
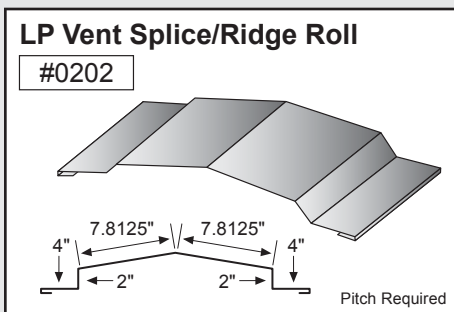
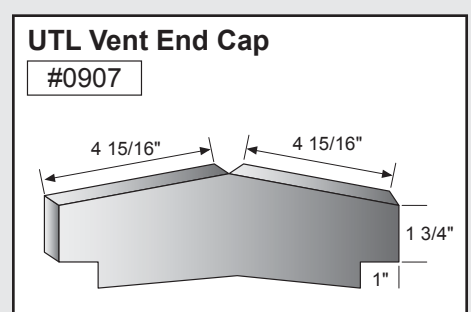
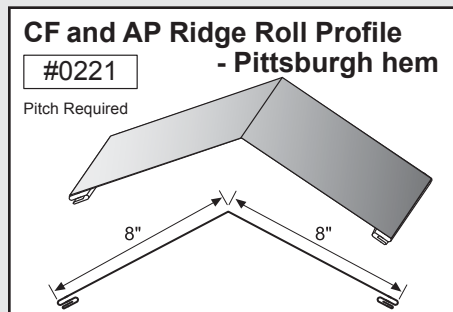
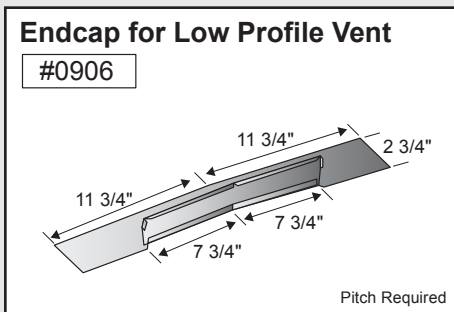
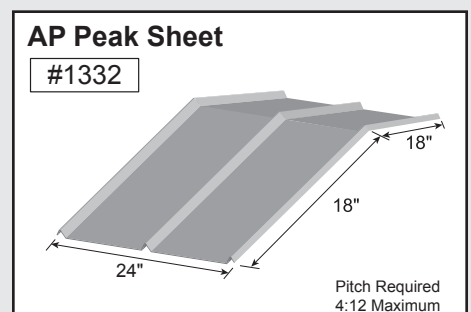
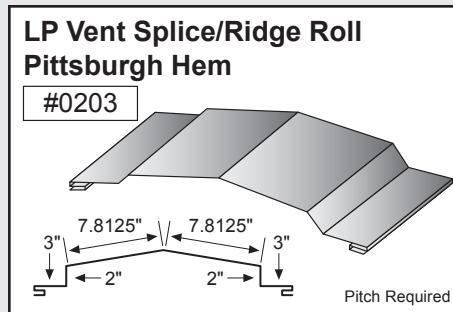
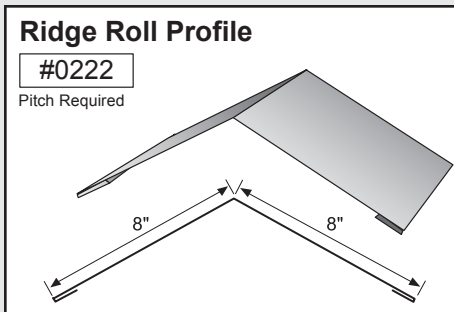
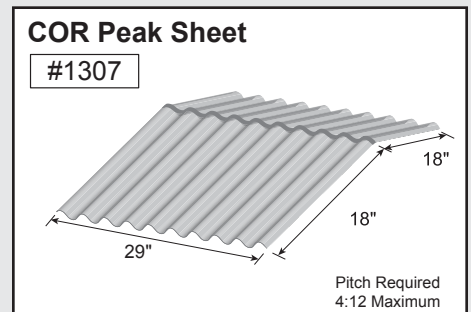
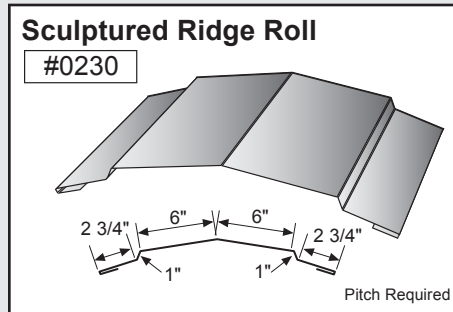
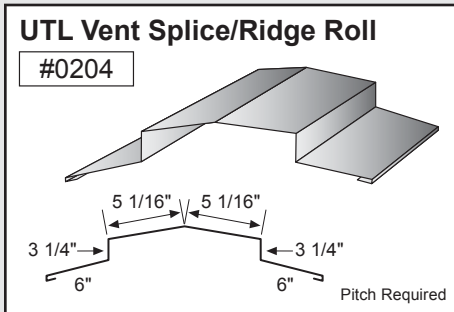
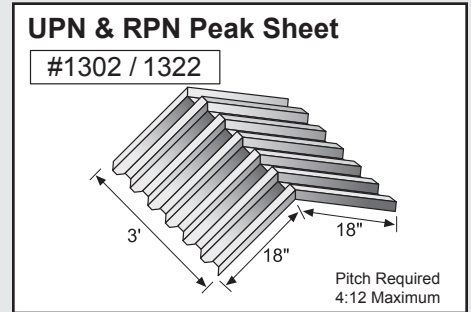




## RIDGE ROLL

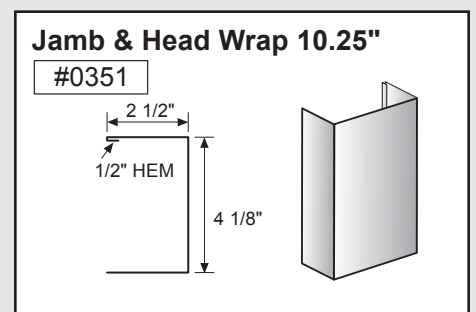
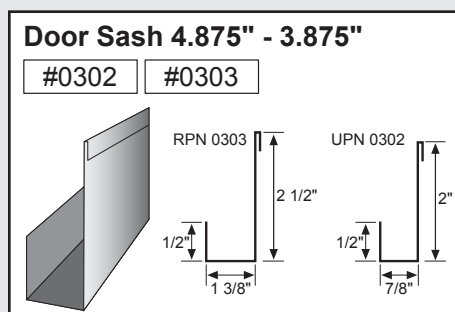
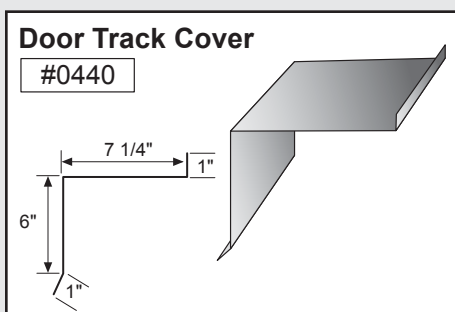
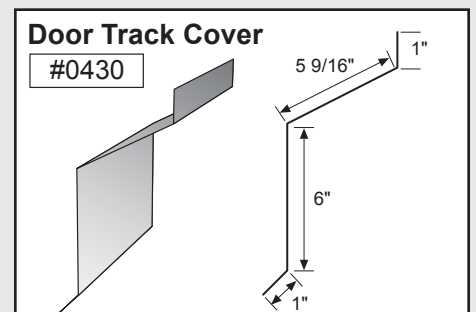
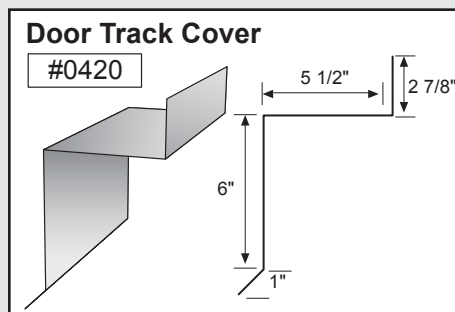
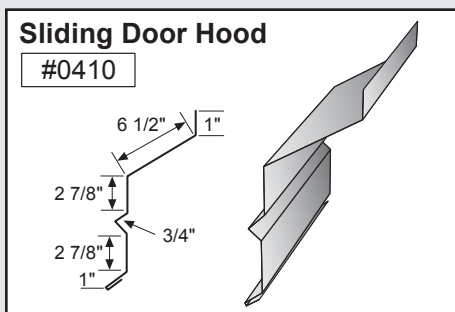
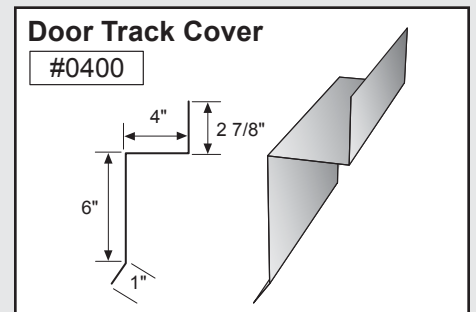
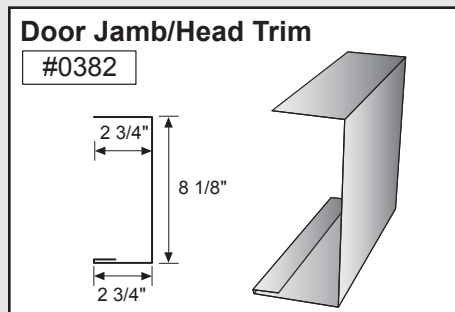
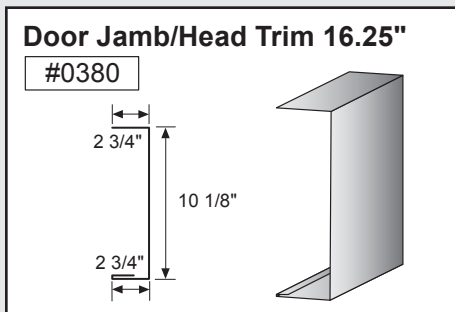
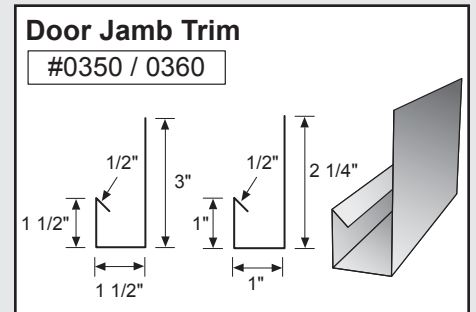
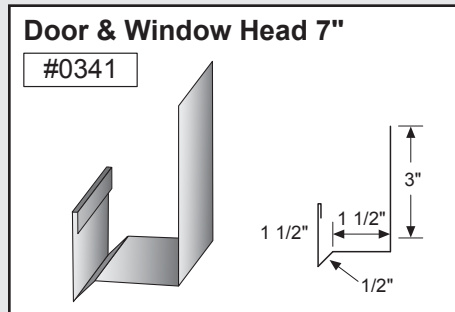
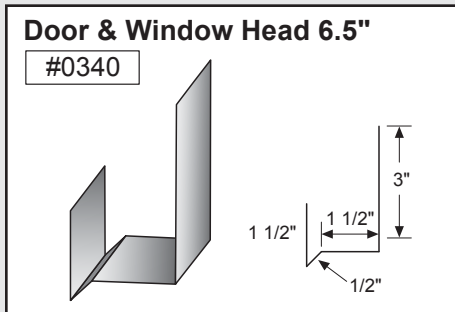
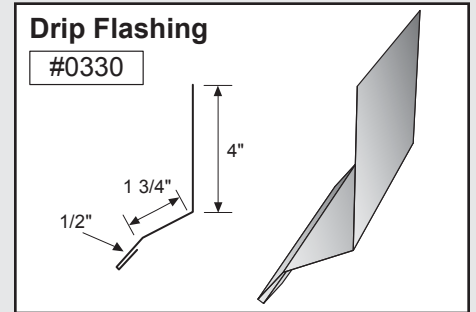
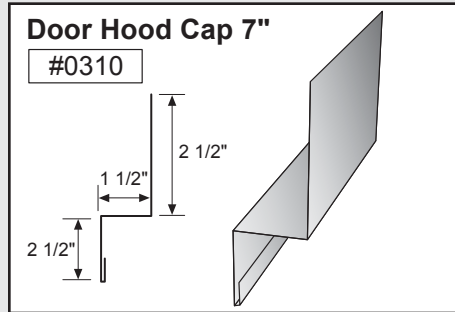
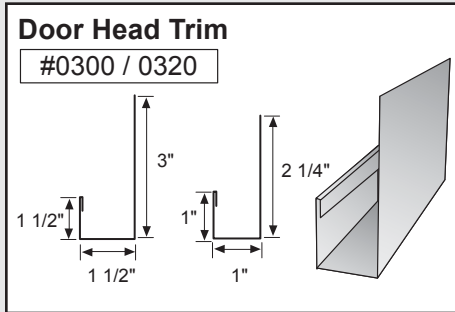


## PEAK SHEET



# 6 steel building trim components

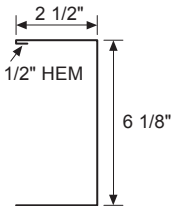
## DOOR TRIM



## DOOR TRIM CONTINUED

### Jamb & Head Wrap 12.25"

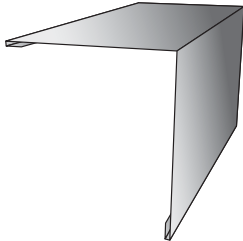
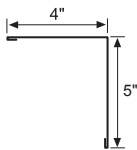
#0352



## ANGLE TRIM

### Outside Angle Trim

#0705



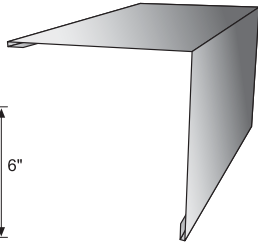
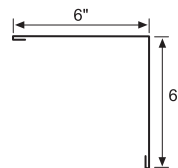
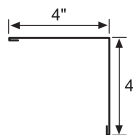
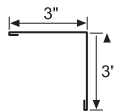
### Outside Angle Trim

#0702

#0713

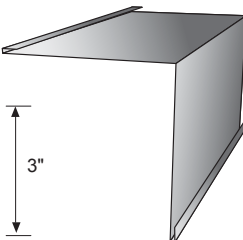
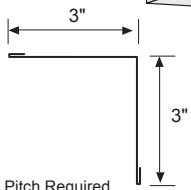
#0704

#0706

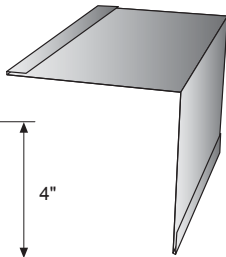
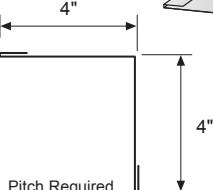


### Inside Angle Trim

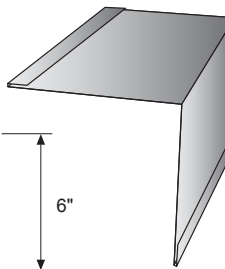
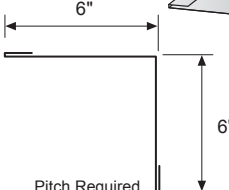
#0703



#0714



#0716



## EAVE TRIM & PEAK BOX

**Utility Eave Trim**  
#0800

Pitch Required

**Sculptured Eave Trim**  
#0810

Pitch Required

**Open SW Eave < 4:12**  
#0813 14.9375" Pitch

**Open SW Eave > 3:12**  
#0814 15.0625" Pitch

**Peak Box for 1410 and 1420 Rake**  
#0920 Pitch Required

**Peak Box for 1470, 1480 and 1490 Rake**  
#0999 Pitch Required

**Peak Box for 1430 Rake**  
#0930 Pitch Required

**Peak Box for 1440 and 1441 Rake**  
#0940 Pitch Required

## GUTTER

**Utility Gutter Profile**  
#0500

Pitch Required

**Residential Gutter Profile**  
#0501

Pitch Required

**Utility Gutter - 20.25"** Pitch Required up to 4:12  
#0507

## GUTTER CONTINUED

**Utility Gutter - 20.75"** Pitch Required up to 5:12-8:12

#0508

**Sculpted Gutter**

#0520

Pitch Required

**Sculpted Gutter**

#0523

Pitch Required

**Gutter Splice**

#0524

For 0500/0520 16.938" In GVL Only

**Downspout Profile**

#0610

**Downspout Kickout 45°**

#0620

**Downspout Kickout 90°**

#0621

**Downspout Sleeve**

#0622

**Downspout Profile**

#0613

**Downspout Kickout 45°**

#0633

**Downspout Kickout 90°**

#0623

**Flush Kickout**

#0624

**Downspout Sleeve**

#0643

**Gutter Strap**

#1000

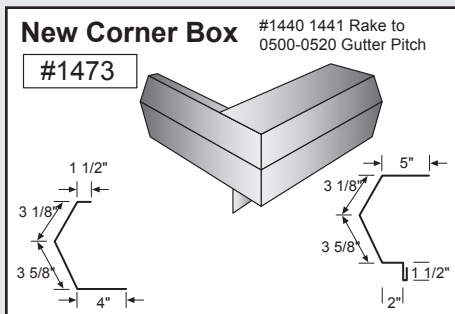
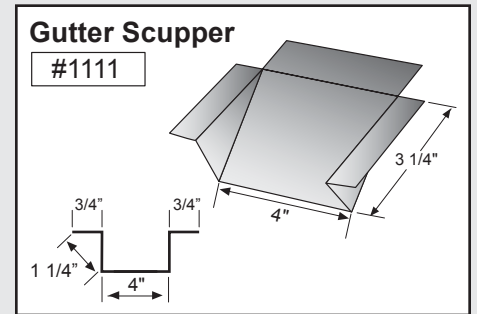
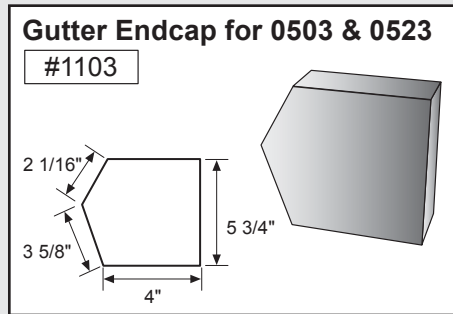
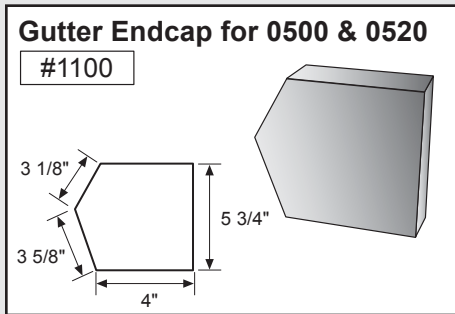
**Downspout Strap**

#1010



# 10 steel building trim components

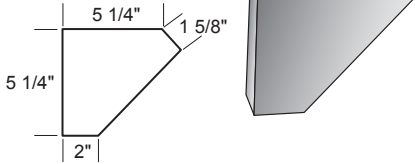
## GUTTER CONTINUED



## RAKE

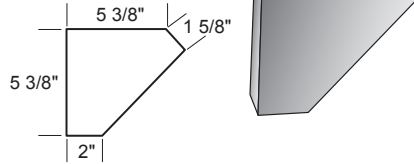
**Rake Endcap for 1410-1420**

#1122



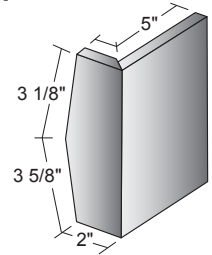
**Rake Endcap for 1430**

#1130



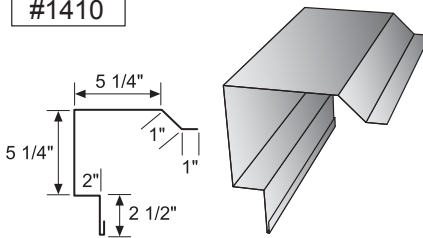
**Rake Endcap for 1440**

#1140



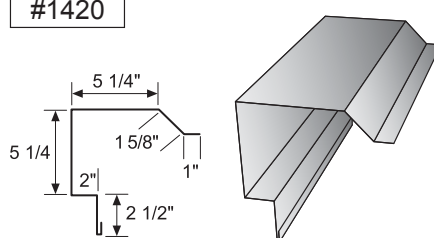
**UPN Sculptured Rake**

#1410



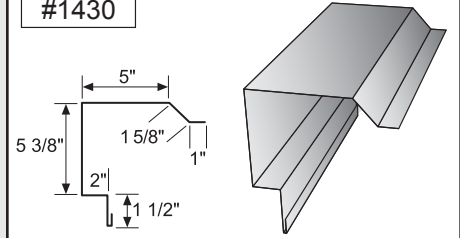
**RPN Sculptured Rake**

#1420



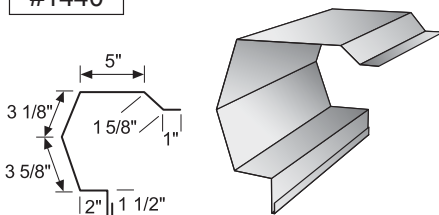
**RPN Sculptured Rake**

#1430



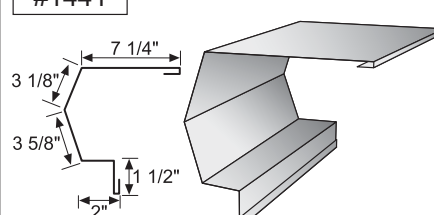
**RPN Sculptured Rake Trim**

#1440



**High Side Eave Trim**

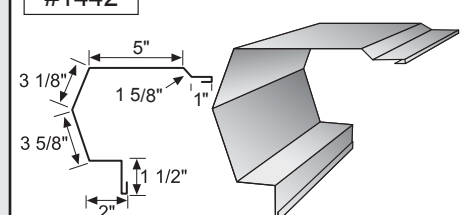
#1441



Pitch Required

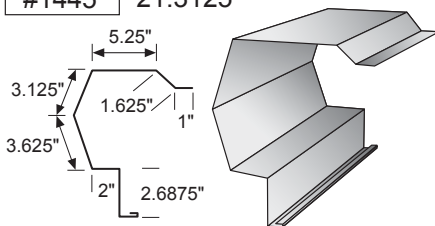
**Sculptured Rake w/Hem**

#1442



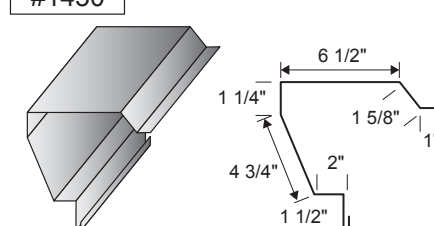
**Open EW Rake**

#1445 21.3125"



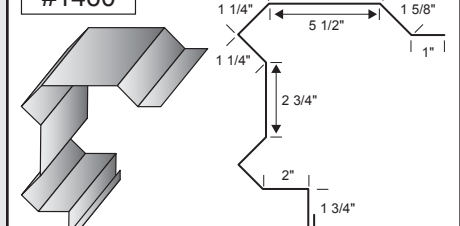
**Sculptured Rake Trim**

#1450



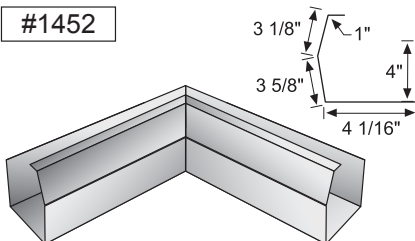
**RPN Sculptured Rake Trim**

#1460



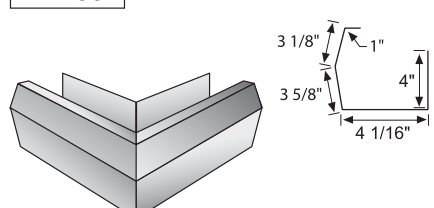
**IS Corner Box for #0500 & 0520**

#1452



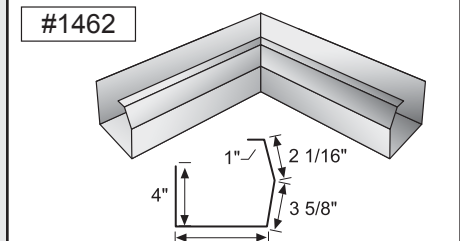
**Outside Corner Box for 0500 & 0520**

#1453



**Inside Corner Box for 0503 & 0523**

#1462



## RAKE CONTINUED

**Outside Corner Box**  
#1463 for 0503 & 0523

**Corner Box for 1440 to 0500-0520**  
#1471 / 1474

Pitch Required

**Partition Rake**  
#1500

**Partition Rake - 13"**  
#1501

**IS Partition Angle - 13"**  
#1502

**Partition Rake**  
#1503

**Lean to Rake Trim**  
#1448

**Lean to Rake Trim**  
#1449

**UPN Sculptured Rake - 17.75"**  
#1498



## VALLEY / TRANSITION

**UPN Die Formed Transition**  
 #1405 Paint on Front  
 #1413 Paint on Back

Pitch Required

**Sidewall to Roof Transition Flashing for RPN**  
 #1481

**RPN Die Formed Transition**  
 #1406 Paint on Front  
 #1414 Paint on Back

Pitch Required

**Sidewall to Roof Transition Flashing for UPN**  
 #1488

**SSP Die Formed Transition**  
 #1409 Paint on Front  
 #1417 Paint on Back

Pitch Required

**Transition Flashing**  
 #1483

Pitch Required

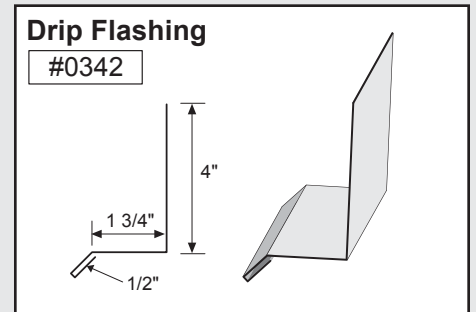
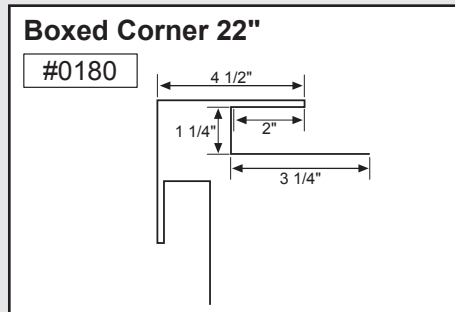
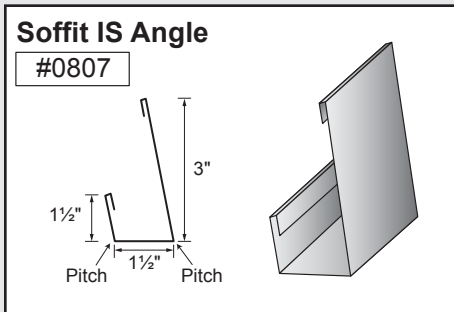
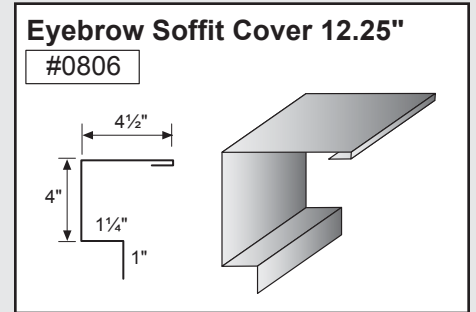
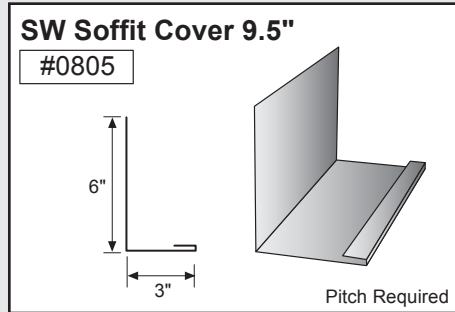
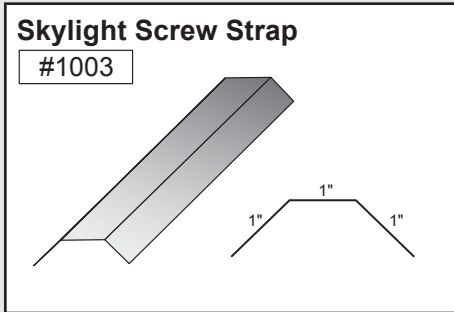
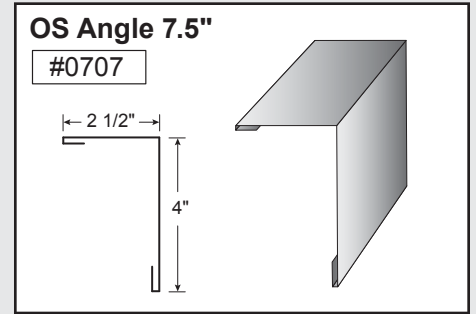
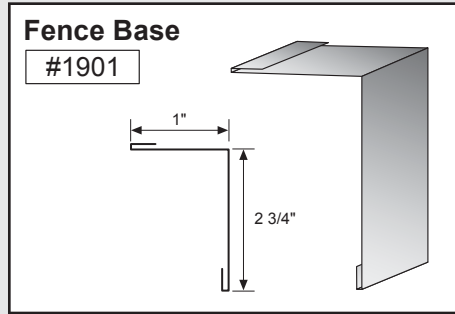
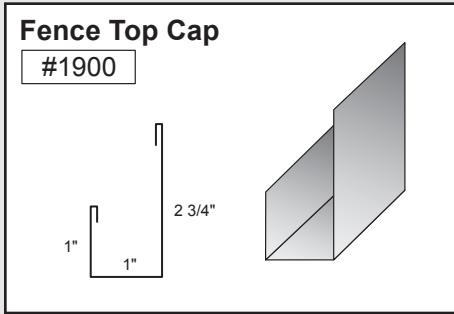
**Transition Trim**  
 #1486

Pitch Required

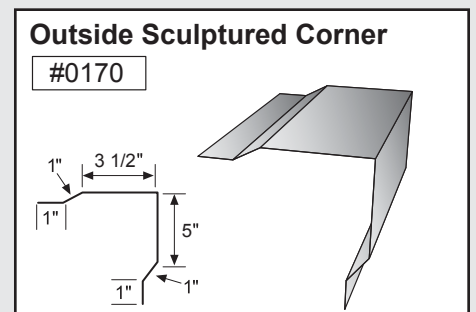
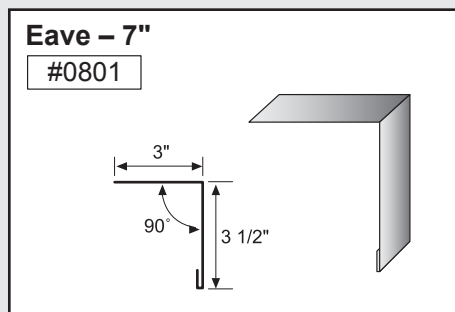
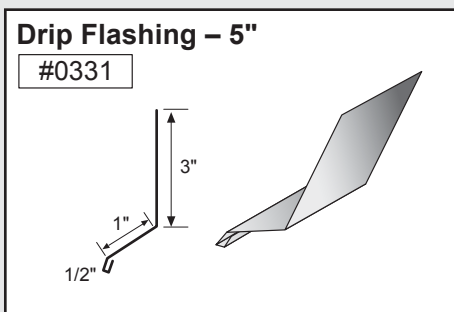
**Sidewall to Roof Transition Flashing for CF & AP**  
 #1489

**RPN & UPN Valley Flashing**  
 #0540  
 Pitch Required

**MISCELLANEOUS**



**BACKYARD AND GREENHOUSE**



## BACKYARD AND GREENHOUSE CONTINUED

**OS Rake - 12"**  
#1700

**IS Rake - 12"**  
#1701

**RUD Flashing 13.125"**  
#1702

**IS Rake**  
#1703

**Soffit Cover**  
#1704

**Rake**  
#1705

**IS Rake**  
#1706

<p><b>CP Rake Trim</b> #1600 - 20 x 20 Carport</p>	<p><b>CP High Side Rake</b> #1620 - 20 x 20 Carport</p>	<p><b>CP Low Eave</b> #1640 - 20 x 20 Carport Pitch Required</p>
--	---	--

**CP Rake Trim**  
#1610 - 12 x 20 Carport

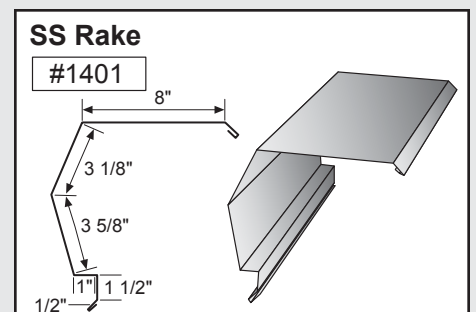
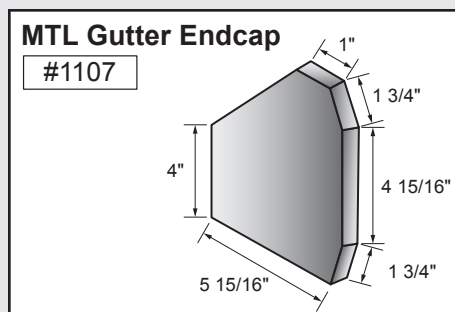
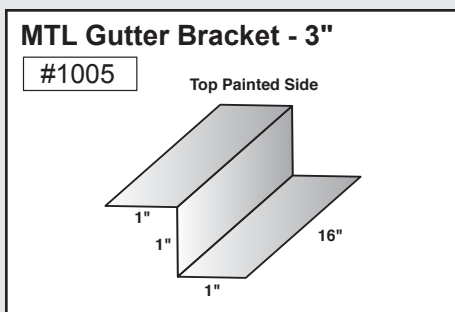
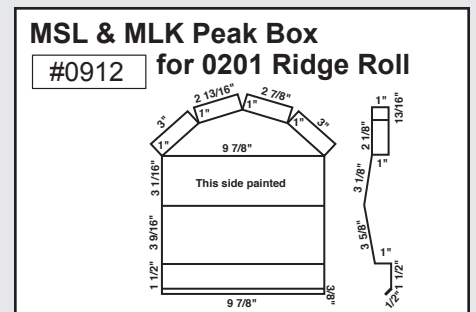
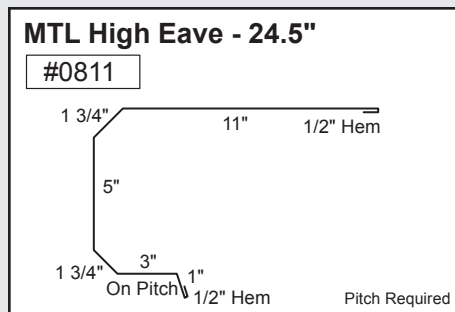
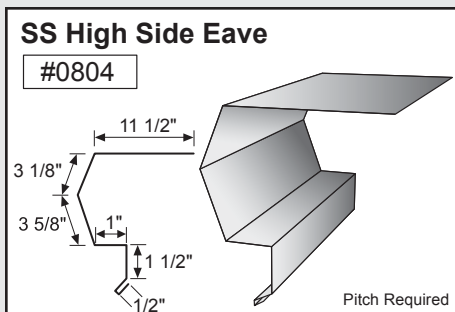
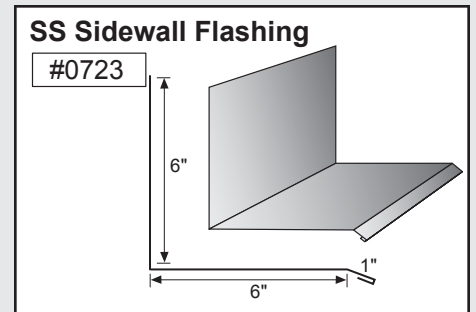
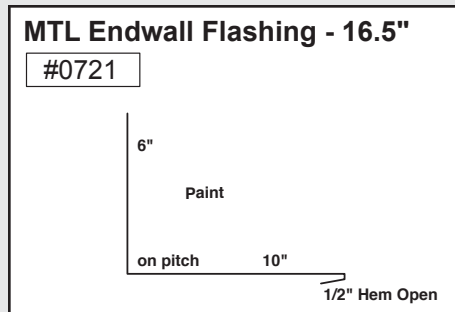
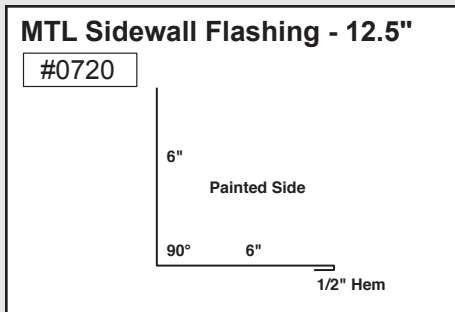
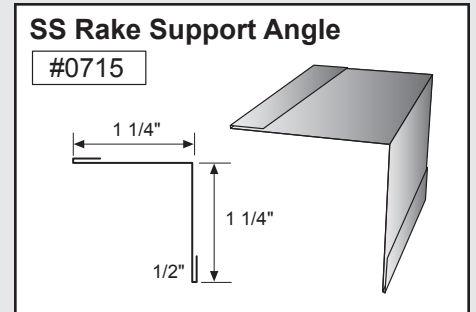
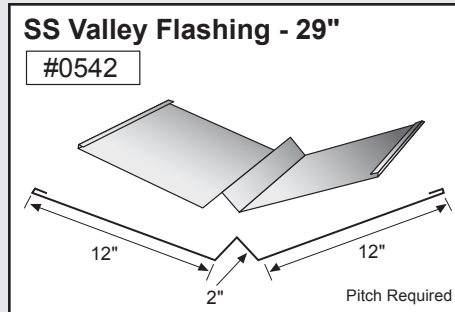
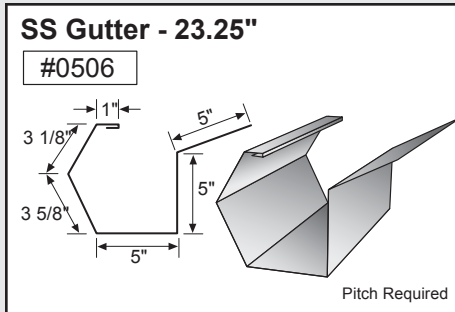
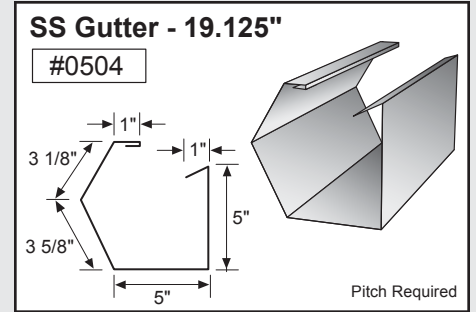
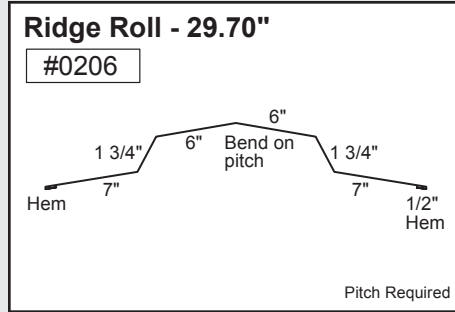
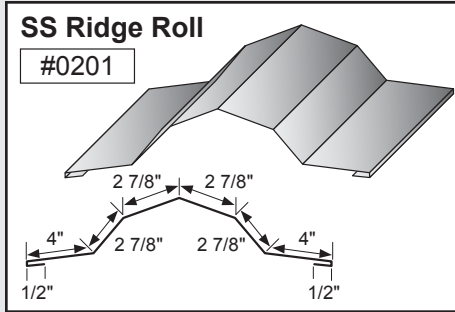
**CP High Side Rake**  
#1630 - 12 x 20 Carport

**CP Low Side Eave**  
#1650 - 12 x 20 Carport  
Pitch Required

**Greenhouse Skylight Screw Strap**  
#1003

**Loafing Shed Rake - 16.375"**  
#1404

**STANDING SEAM**



## STANDING SEAM CONTINUED

**MTL Rake Slide - 3.5"**  
 #1431

1/2"  
 15/16"  
 5/8"  
 Paint  
 1"  
 1/2" hem

**MTL Rake Support - 5"**  
 #1432

1"  
 3"  
 Paint  
 1"

**MTL Rake - 21.25"**  
 #1446 For #0509 Gutter

1 3/4" 8" 2 1/2"  
 1/2" Hem  
 5"  
 1 3/4"  
 1"  
 3/4"

**OS Corner Box**  
 #1454  
 For #0506 Gutter

3 1/8" 1"  
 5"  
 3 5/8"  
 5 1/16"

**IS Corner Box**  
 #1457  
 For #0506 Gutter

3 1/8" 1"  
 5"  
 3 5/8"  
 5 1/16"

**MTL Corner Box**  
 #1458

1"  
 4 5/16" 90° 45° 6"  
 1 3/4"  
 1 3/4"  
 1"  
 3/4"

**SS MLK Rake Slide**  
 #1801

3/4"  
 1 1/2"  
 1/2"

**SS Rake Zee**  
 #1802

1 1/4"  
 2"  
 This side painted  
 1 1/4"

**SS Endwall**  
 #1803

3"  
 4"  
 2 7/8"  
 1/2"  
 This side painted

**SS Hip Closure**  
 #1804

2"  
 2 3/16"  
 This side painted  
 2 3/8"

**SS MSL Rake Zee**  
 #1805

1 1/4"  
 1 3/4"  
 This side painted  
 1 1/4"

**SS MSL End Dam**  
 #1806

1 1/8"  
 1 3/4"  
 This side painted  
 1 1/8"  
 14 5/8"

**MSL Vented End Dam - 14.625"**  
 #1807

1.125"  
 1.75"  
 1.125"  
 14.625"

# High-quality metal roofing with all the trimmings.

Mueller is pleased to present our high-quality trim components for residential metal roofing.

As you'll see, we offer a wide variety of trim components — from roof rake trim to eave trim, from downspouts to flashing — to give every Mueller metal roof a clean, customized look.

At Mueller, we're known for delivering the finest metal roofing products in the industry, as well as the best service. If we can help you in any way, just give us a call. You can also go online to [www.MuellerInc.com](http://www.MuellerInc.com) for a gallery of photos, full product information, installation manuals, and directions to each of our branches.

Thanks again for choosing Mueller. We look forward to serving you for years to come!

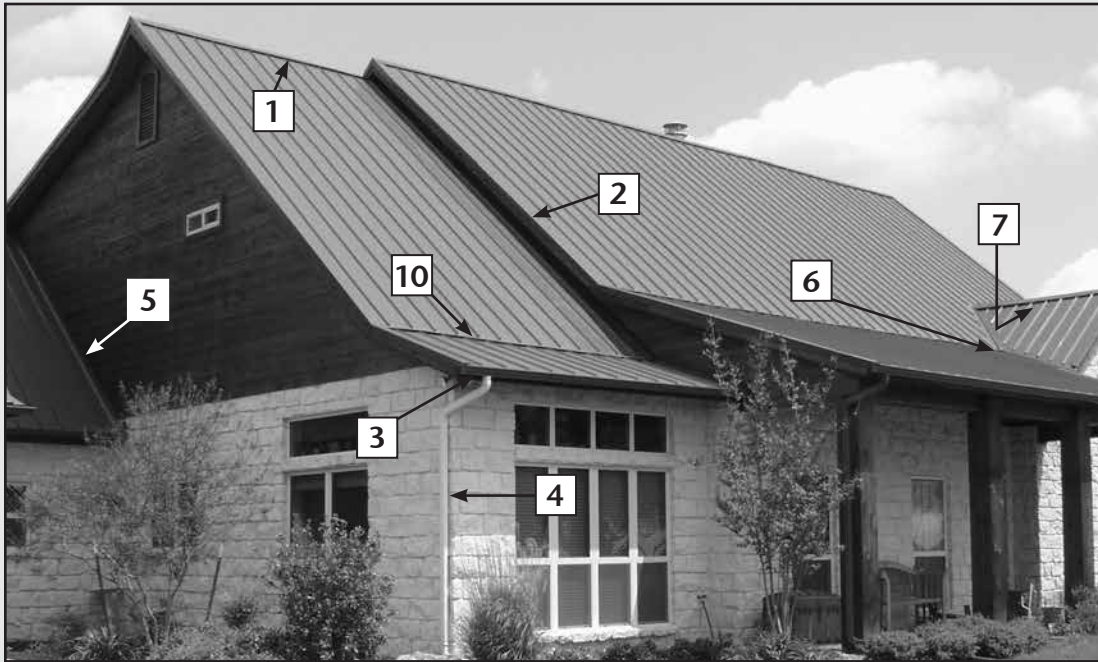
**Call**  
**877-2-MUELLER**  
**(877-268-3553)**

This toll-free number connects you to one of our 33 sales locations across the Southwest.

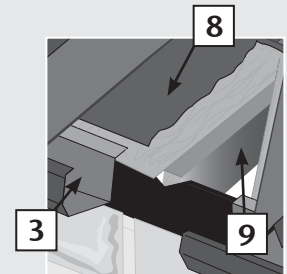
**Click**  
**[www.MuellerInc.com](http://www.MuellerInc.com)**

Our website offers photos and full product information.

**Come by**  
Our branches are staffed with experts who are always happy to answer any questions you may have.

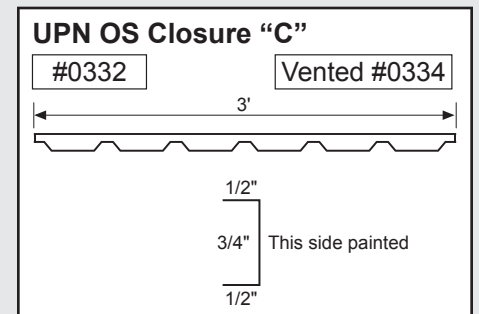
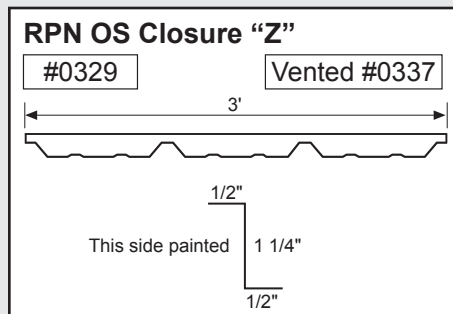
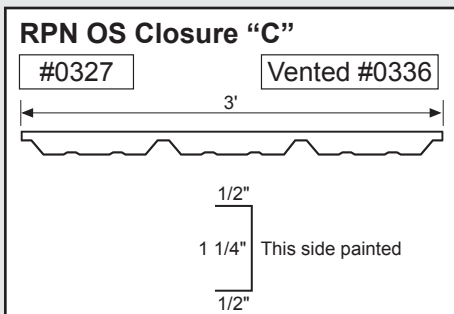
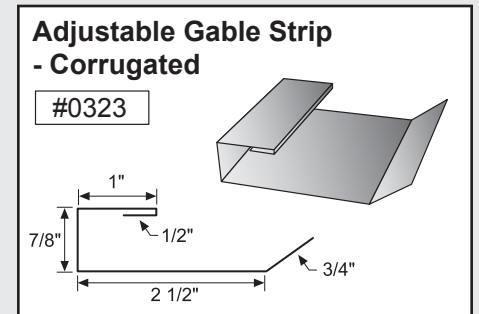
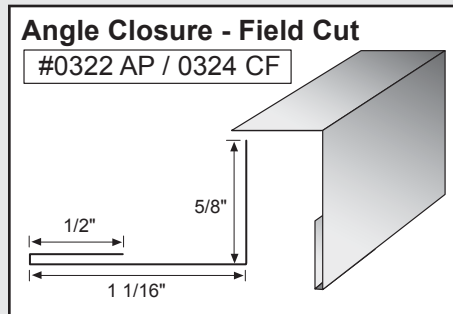
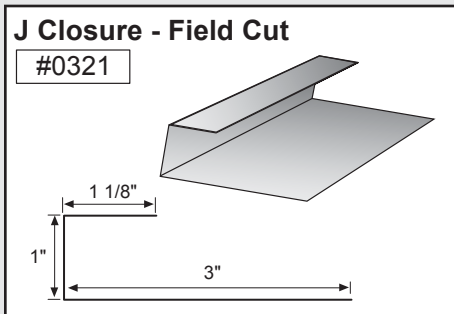


- Ridge Roll or Peak Sheet — **1**
- House Roof Rake Trim — **2**
- Gutter or Eave Trim — **3**
- Downspout — **4**
- Wall to Roof Transition — **5**
- Valley Flashing — **6**
- Metal Closures — **7**
- Underlayment — **8**
- Decking — **9**
- Transition Trim — **10**



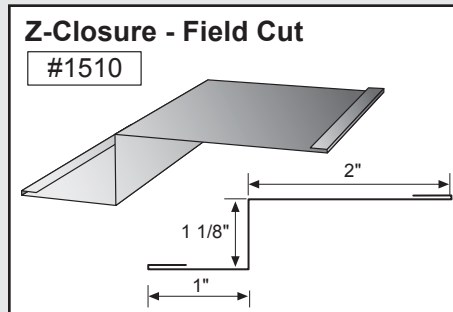
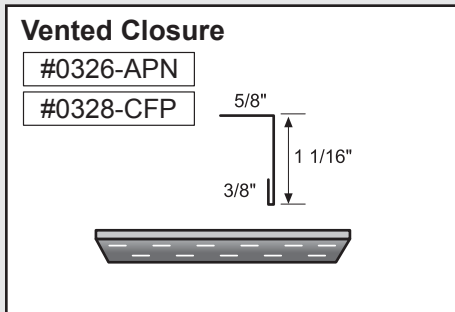
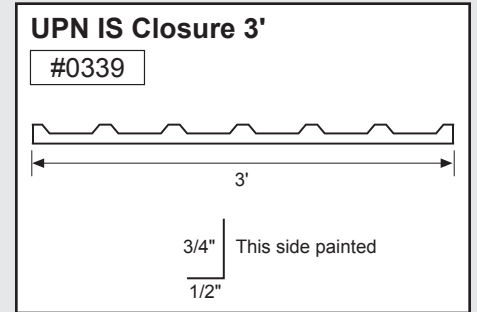
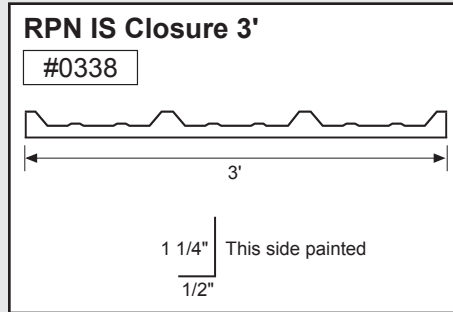
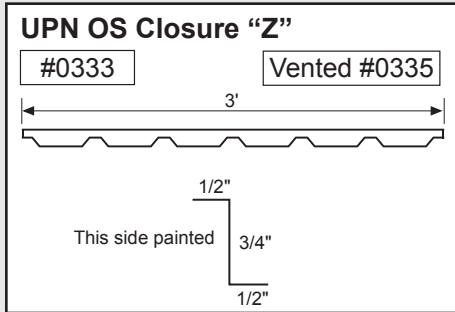
For best results, remove the protective plastic covering from trim components before installation. Please note that exposure to sunlight can make the plastic difficult to remove.

## CLOSURES

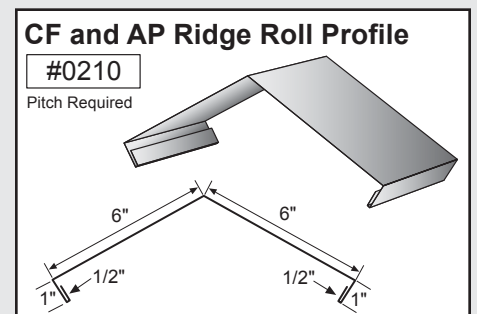
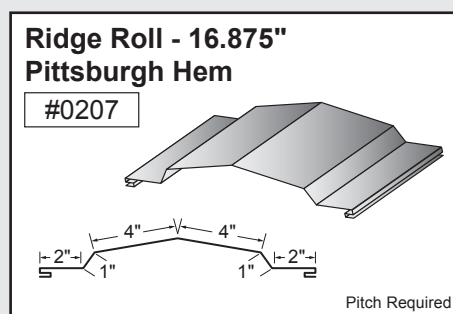
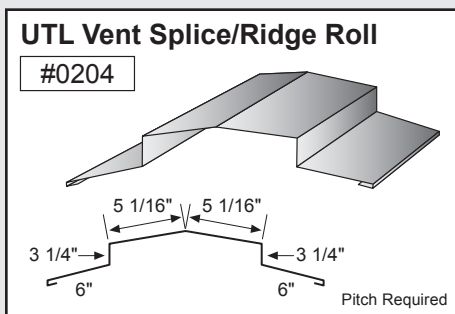
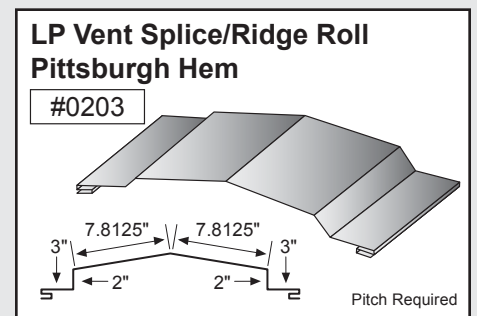
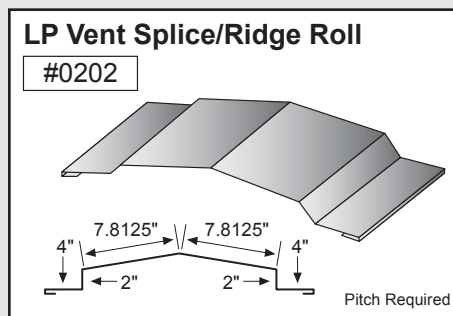
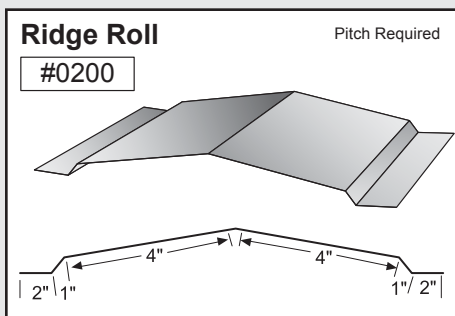


Standard profiles are shown. Need custom shaped profiles? Just contact a Mueller Sales Representative.

**CLOSURES** CONTINUED

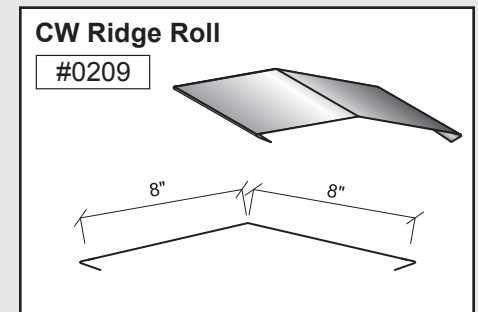
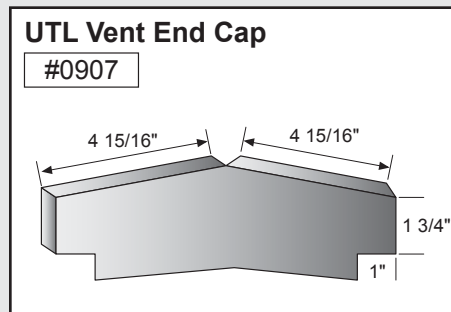
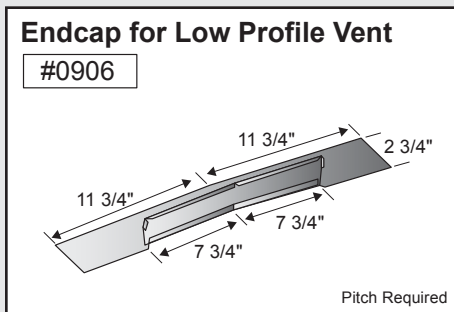
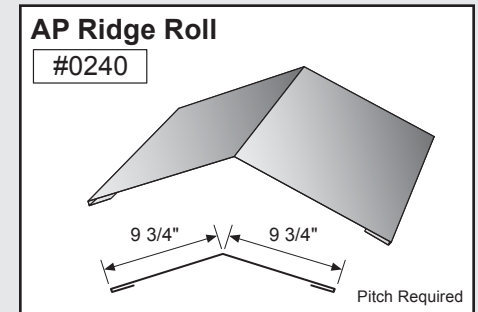
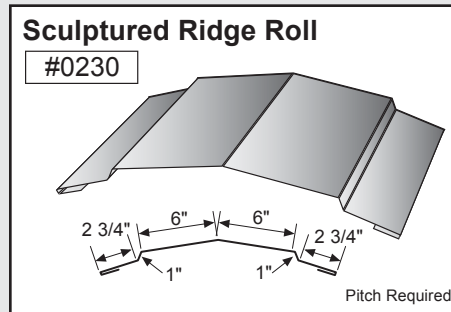
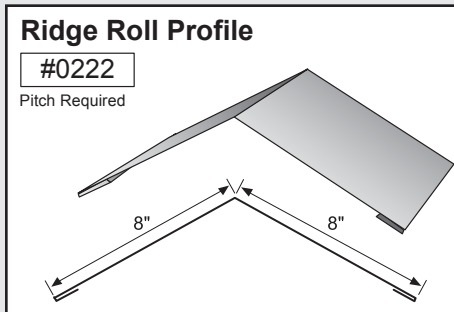
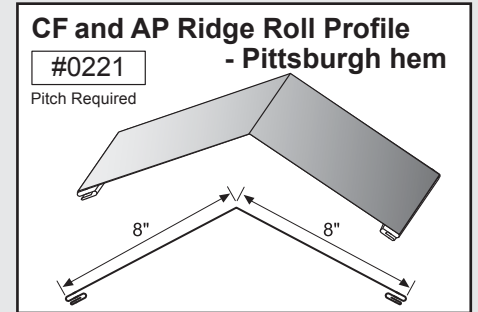
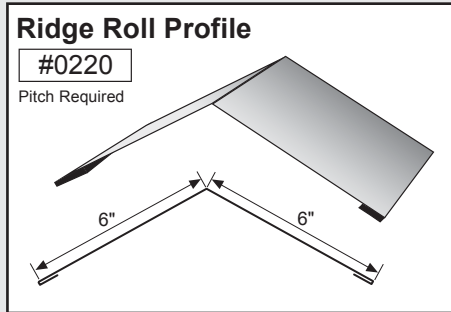
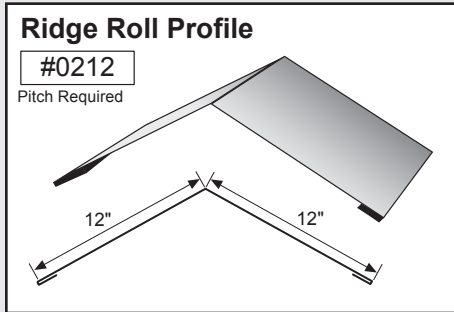


**RIDGE ROLL**

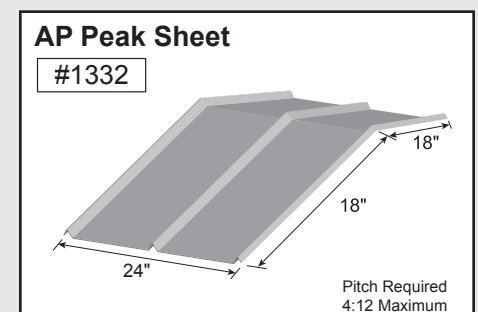
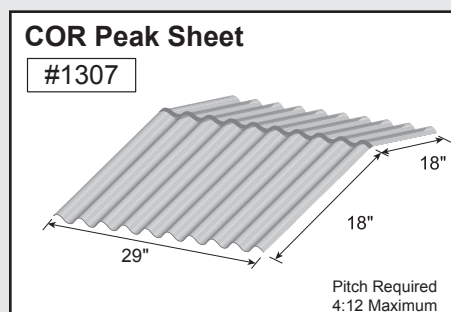
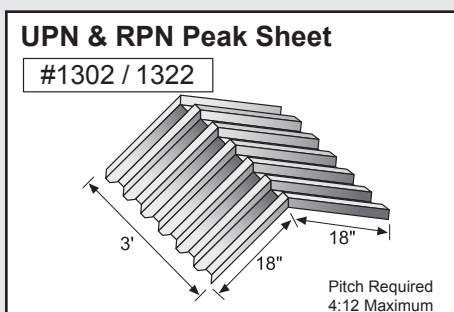




## RIDGE ROLL CONTINUED



## PEAK SHEET



## ANGLE TRIM

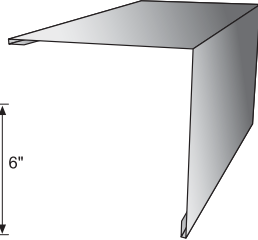
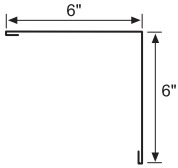
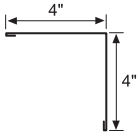
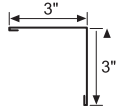
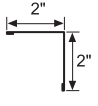
### Outside Angle Trim

#0702

#0713

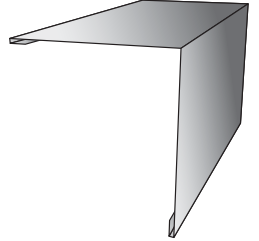
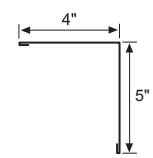
#0704

#0706



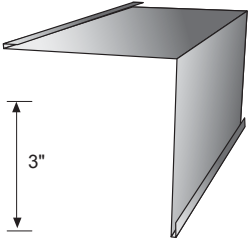
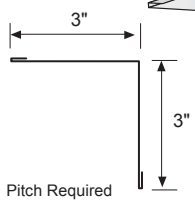
### Outside Angle Trim

#0705

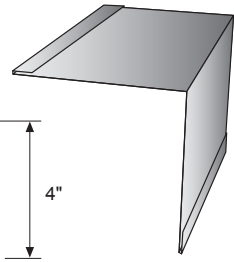
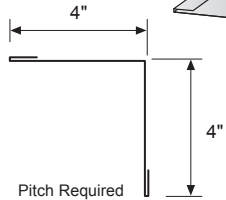


### Inside Angle Trim

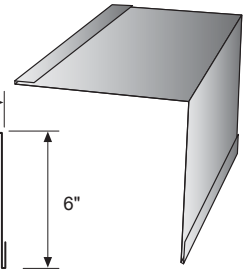
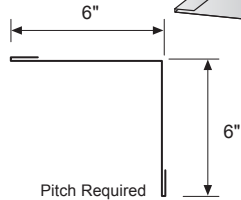
#0703



#0714



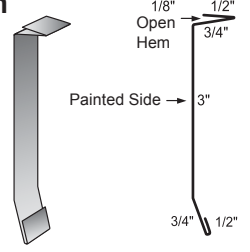
#0716



## MISCELLANEOUS

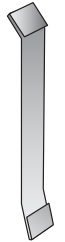
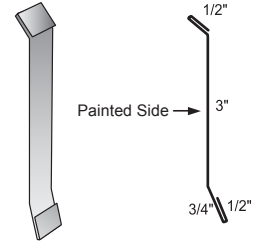
### Reglet Trim

#0727



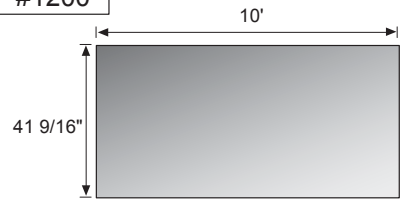
### Reglet Trim

#0728



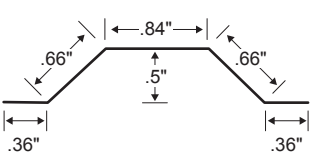
### Flat Sheet

#1200



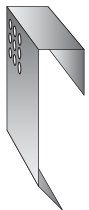
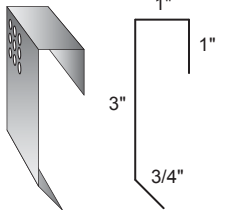
### Oil Can Reducing Trim

#1800



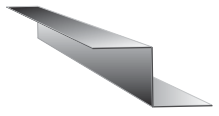
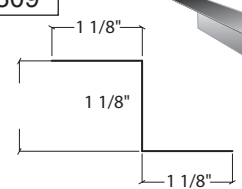
### Vented J Trim 10' 5.75"

#1504



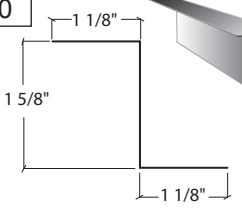
### CWP Enddam / Zee

#1809

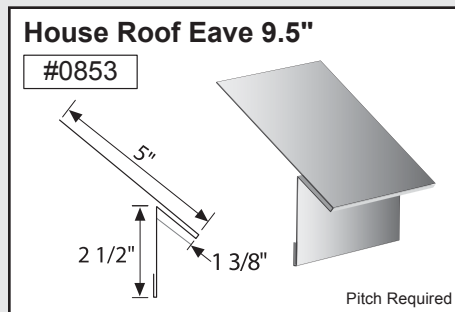
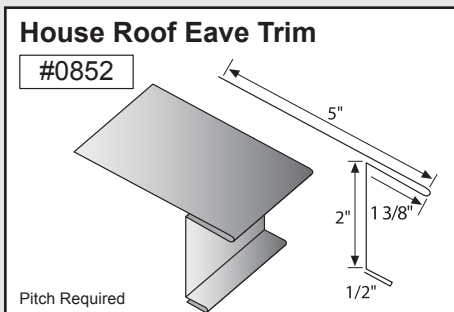
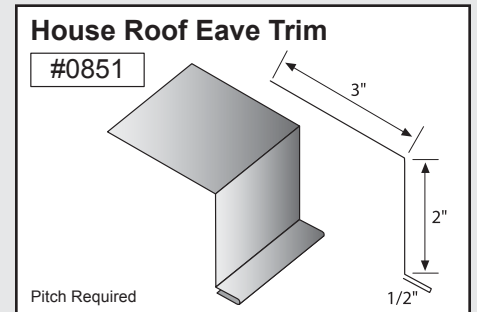
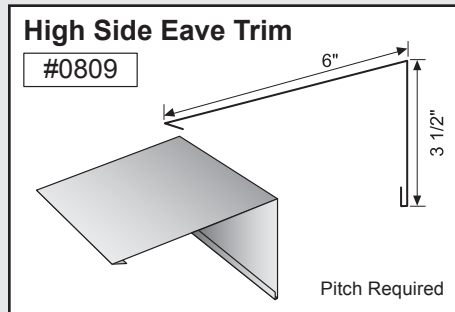
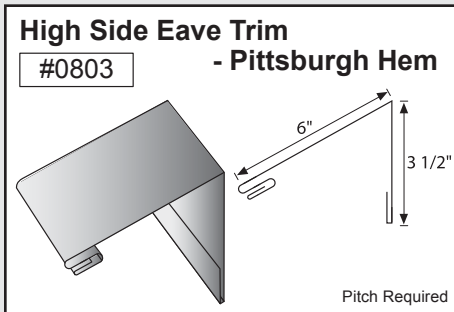
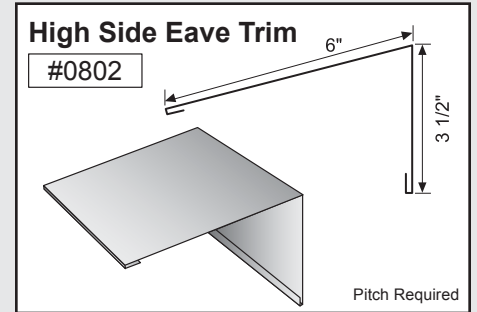
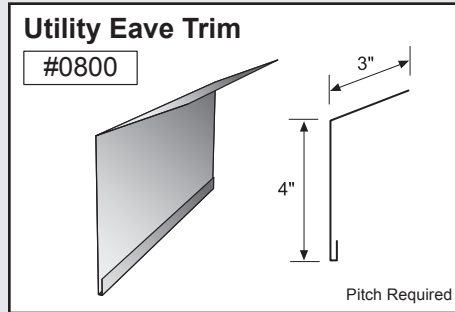
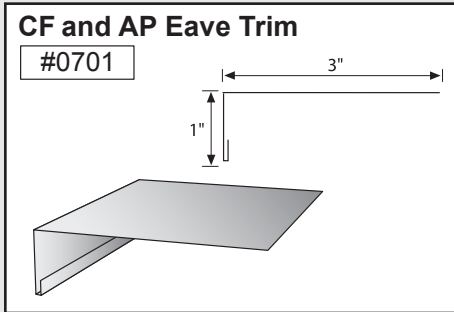


### CWH Enddam / Zee

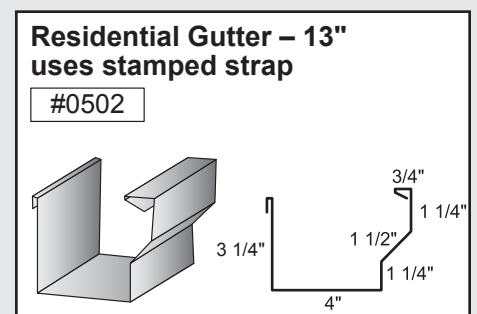
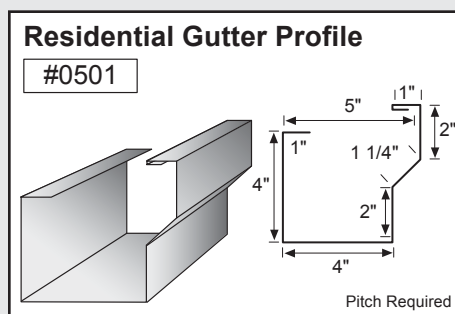
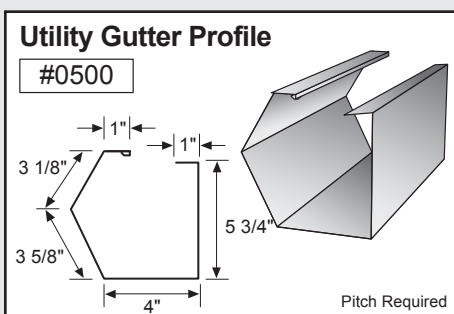
#1810



## EAVE TRIM



## GUTTER



## GUTTER

**Utility Gutter**  
#0503

Pitch Required

**Residential Gutter – 13.875"**  
uses stamped strap  
#0505

**Sculpted Gutter**  
#0510

Pitch Required

**Sculpted Gutter**  
#0520

Pitch Required

**Sculpted Gutter**  
#0523

Pitch Required

**Gutter Splice**  
#0524

For 0500/0520 16.938" In GVL Only

**Sculptured Downspout**  
#0630 - crimped on one end

3 1/16" all four sides

**Sculptured Elbow**  
#0640 - crimped on one end

3 1/16" all four sides

**Sculptured Sleeve**  
#0650 - crimped on one end

3 1/16" all four sides

**Gutter Strap**  
#1000

**AP Gutter Strap**  
#1001

**Gutter Strap**  
#1002

**Downspout Strap**  
#1020

**Gutter Endcap for 0501 Gutter**  
#1101

**Gutter Endcap for 0502**  
#1102

## GUTTER CONTINUED

**Gutter Endcap for #0505 Gutter**  
**#1105**

3"  
 1 1/2"  
 2"  
 3 13/16"

**Gutter Endcap for #0504 Gutter**  
**#1106**

1 5/16"  
 3 5/8"  
 4 15/16"  
 4 7/8"  
 1 1/2"

**Gutter Endcap for 0510**  
**#1110**

5 1/4"  
 4 1/4"

**OS Corner Box for #0502**  
**#1402**

3"  
 4 1/16"  
 1"  
 1 1/4"  
 1 1/4"

**IS Corner Box for #0502**  
**#1412**

3"  
 4 1/16"  
 1"  
 1 1/4"  
 1 1/4"

**IS Corner Box for #0505**  
**#1456**

3"  
 3 15/16"  
 3/4"  
 2 1/4"

**OS Corner Box for #0505**  
**#1455**

3"  
 3 15/16"  
 3/4"  
 2"

**Inside Corner Box for 0503 & 0523**  
**#1462**

4"  
 4 1/16"  
 1"  
 2 1/16"

**Outside Corner Box for 0503 & 0523**  
**#1463**

4"  
 4 1/16"  
 1"  
 3 5/8"

**Inside Corner Box for 0501**  
**#1464**

4"  
 4 1/16"  
 1"  
 2"

**Outside Corner Box for 0501**  
**#1465**

4"  
 4 1/16"  
 1"  
 2"

**Inside Corner Box for 0510**  
**#1466**

4"  
 5 1/4"  
 7/8"  
 4 1/4"

**Outside Corner Box for 0510**  
**#1467**

4 1/4"  
 5 1/4"  
 7/8"  
 4"

**RAKE**

**House Roof Rake CF & AP**  
#1470

**Adjustable Gable Strip**  
#1476

**Adjustable Gable**  
#1478

**UPN Rake for #0800 Eave**  
#1479

**UPN House Roof Rake**  
#1480

**House Roof Rake**  
#1490

**House Roof Rake CF Profile**  
#1491

**RPN Rake for #0800 Eave**  
#1492

**CF & AP Rake**  
#1493

For #0800 Eave

**House Roof Rake - 11.125"**  
#1494

**House Roof Rake w/Hem**  
#1495

**RPN House Roof Rake w/Hem**  
#1496

**Peak Box for 1470, 1480 and 1490 Rake**  
#0999

Pitch Required

**Adjustable Gable Trim**  
#1477

**UPN Roof Rake - 10"**  
#1497

## VALLEY / TRANSITION

**RPN & UPN Valley Flashing**  
**#0540**  
 Pitch Required

1 1/2"  
10 1/2" 10 1/2"

**CF and AP Valley Flashing**  
**#0541**  
 Pitch Required

11" 11"  
3/4"

**Valley Flashing 20.75"**  
**#0543**  
 Pitch Required

3/4"  
9 5/8" 9 5/8"

**Sidewall Flashing**  
**#0724**

4" 4"

**Wall to Roof Flashing - Pittsburgh hem**  
**#0725**  
 Pitch Required

4" 6"

**Endwall to Roof Flashing**  
**#0726**  
 Pitch Required

4" 6"

**Uphill Chimney Flashing**  
**#0761**  
 Pitch Required

6" 18"

**Chimney Flashing Side**  
**#0762**

6" 4"

**Sidewall to Roof Transition Flashing for RPN**  
**#1481**

3" 4" 1 5/8" 1"

**Transition Flashing**  
**#1483**  
 Pitch Required

4" 6"

**Transition Trim Profile**  
**#1418**

6" 10"

**Endwall to Roof Flashing CW**  
**#1419**  
 Pitch Required

4" 6"

**Sidewall Flashing CW**  
**#1421**

4" 4"

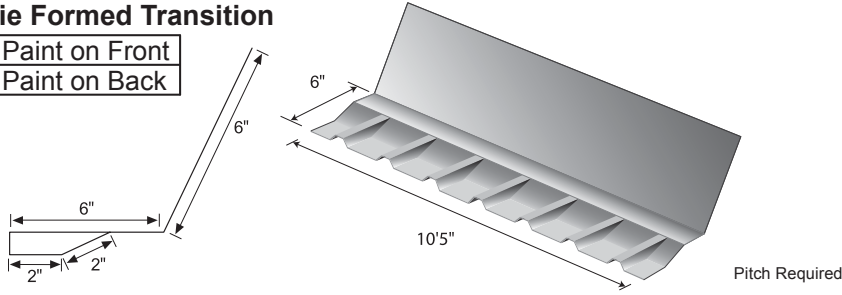
**Valley Cleat**  
**#1499**

1 1/8" 1" 1 1/8"

## VALLEY / TRANSITION CONTINUED

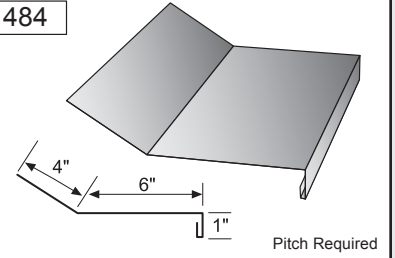
### UPN Die Formed Transition

#1405 Paint on Front  
#1413 Paint on Back



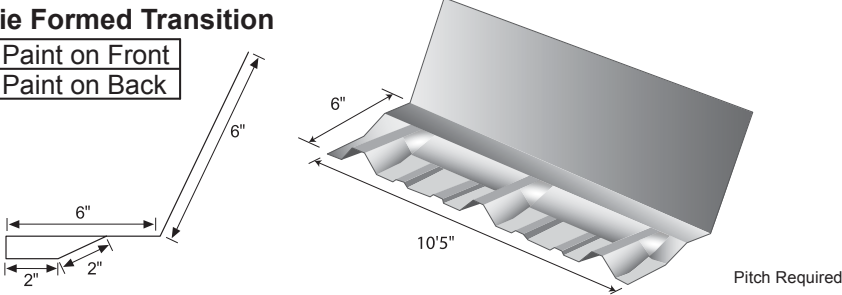
### Transition Flashing

#1484



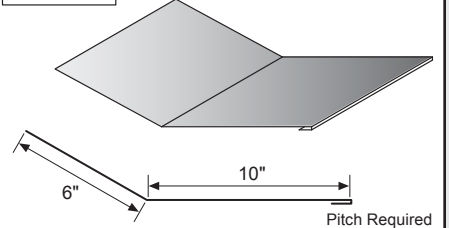
### RPN Die Formed Transition

#1406 Paint on Front  
#1414 Paint on Back



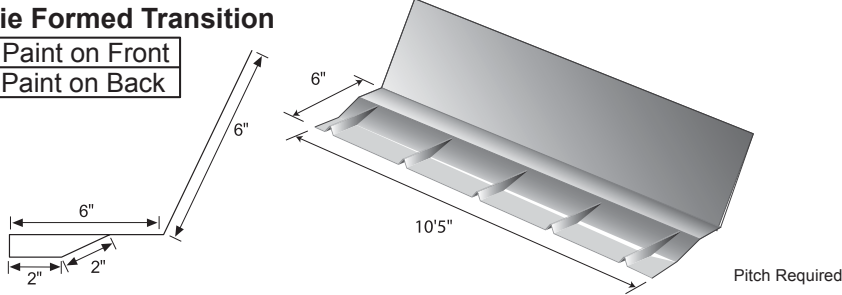
### Transition Trim

#1486



### APN Die Formed Transition

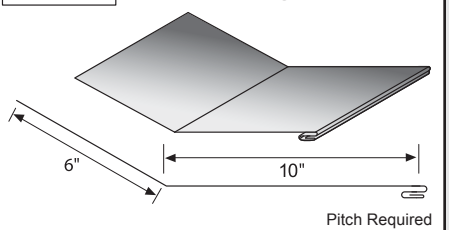
#1407 Paint on Front  
#1415 Paint on Back



### Transition Trim Profile

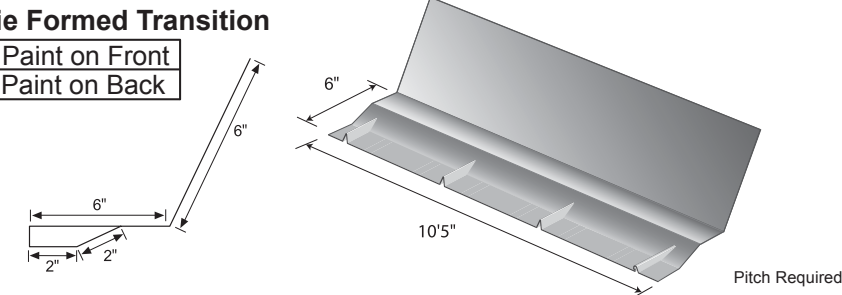
#1487

- Pittsburgh Hem



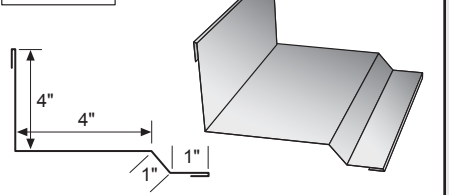
### CFP Die Formed Transition

#1408 Paint on Front  
#1416 Paint on Back



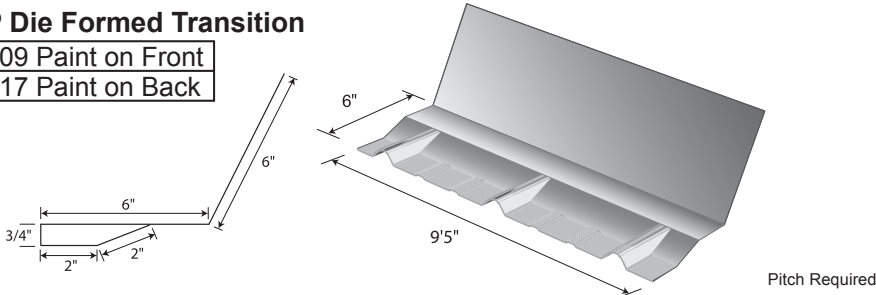
### Sidewall to Roof Transition Flashing for UPN

#1488



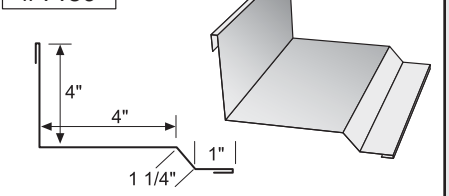
### SSP Die Formed Transition

#1409 Paint on Front  
#1417 Paint on Back



### Sidewall to Roof Transition Flashing for CF & AP

#1489





## RESIDENTIAL METAL ROOFING:

### STANDING SEAM, CFS, CF, AP, R, U & SSP PANELS

If you've seen a metal roof on a home in your area, you know how great they look. Metal roofs are eye-catching and attractive, providing a distinctive design element for your home's exterior. Mueller offers a variety of color and panel choices, giving you the flexibility for the look you want. Plus, there are numerous practical reasons to invest in a metal roof:

- Curb Appeal
- Durability
- Weather Resistance
- Energy Efficiency
- Possible Insurance Savings
- Environmental Benefits
- Low Maintenance

## STEEL BUILDINGS:

### BACKYARD BUILDINGS

Mueller's backyard metal buildings are easy to assemble and come in six sizes from 6' x 9' x 7' to 24' x 24' x 8'. All kits include: a bolt together steel frame, choice of wall and trim colors, and a 30-year limited paint warranty. Optional floor kits provide a finishing touch.

### PRE-ENGINEERED BUILDING KITS

Our pre-engineered building kits are available in two different systems, the Standard Series and the Value Plus system. Whether you need a workshop, garage, barn or large storage space, you simply can't go wrong with these pre-engineered steel building kits.

### CUSTOM BUILDINGS

For a structure that will meet your requirements, design your own Custom Building from Mueller. These outstanding buildings open up many options to you including roof type, building size, colors and accessories. For a custom online quote, visit [www.MuellerInc.com](http://www.MuellerInc.com).



At Mueller, we always do everything we can to satisfy our customers. The following sales policies are standard practice in our industry, and are in place to help us run our business smoothly and successfully.

**PRICES:** Due to market fluctuation, quoted prices are valid for a limited time only. Please visit one of our branches or call our toll free number 877-2-MUELLER for current prices. Customer shall be responsible for and pay any and all taxes and fees imposed upon or on account of any materials, goods, or services, except taxes required by law to be paid or borne by Mueller, Inc.

**RETURNS:** All returned items are subject to a standard restocking charge to be determined by Mueller, Inc. Restocking charges will be determined by the condition of the material and its suitability for resale. All returns must be accompanied by an invoice. All special trim will have no return value. Standard trim will have reject value only unless special circumstances apply. Special ordered items will be returned only at Mueller discretion.

**STORAGE POLICY:** Because of limited storage space, Mueller, Inc. will store custom fabricated material only for a reasonable amount of time. After this, notice will be sent that material must be either picked up or delivered within 10 days, or it will be placed in stock with the deposit forfeited and/or a restocking charge imposed.

**SHIPPING:** Mueller, Inc. will make every effort to meet requested shipping dates; however, Mueller, Inc. assumes no responsibility for or loss of any kind sustained by customer because of any unforeseen inability to meet shipping dates. Please allow as much shipping time as possible.

**TELEPHONE ORDERS:** Customer assumes full responsibility for the accuracy of telephone orders if written confirmation is not received prior to release of the order for manufacturing. Customer may request a written confirmation, with the understanding that the manufacturing process will be delayed.

**PACKAGING CHARGES:** Trim orders, to be delivered, will be wrapped in a protective plastic, free of charge. If cardboard shipping boxes are required or requested, a charge of \$2.50 per linear foot (\$25.00 minimum) will be added to the order. Each bundle will not exceed 300 lbs. Cover sheets will be placed on all bundles of sheets that are warrantied. A charge of \$15.00 per bundle up to 15' in length and \$30.00 per bundle over 15' in length will be added to the order. Each bundle will not exceed 3,000 lbs.

**DELIVERY OPTIONS:** Mueller, Inc. offers two delivery options:

1. A direct delivery is the option that provides the most accurate, convenient service. Orders will be delivered on a Mueller truck and the exact delivery day can be scheduled in advance. A direct delivery fee is determined by the miles from Mueller's shipping point to the customer's job site times a mileage rate. \*Note: Mueller cannot be held responsible for delivery times affected by events outside of our control (weather, road construction, etc.)
2. A drop delivery is the option that provides the greatest economy. Multiple orders will be loaded and shipped together on a Mueller truck in order to minimize shipping costs per order. The delivery fee is based on a minimum charge by mileage. The exact delivery day cannot be determined in advance but a delivery time range will be established prior to shipping. Due to multiple orders shipping together on one trailer, unloading might require extra material handling.

**NOTE:** It is the responsibility of the customer to be prepared with the necessary manpower and/or equipment to receive materials delivered by Mueller, Inc. Construction site must be safely accessible for Mueller equipment. Mueller personnel will have final determination on job site accessibility.

If third party carriers are used, orders must be prepaid. Customers are responsible for offloading material.

**PICK UP ORDERS:** It is the customer's responsibility to secure material to their vehicle.

**CANCELLATIONS:** Cancellation of a manufactured order after production has begun will be subject to restocking charges.

**PROTECTING MATERIAL AFTER DELIVERY:** Mueller takes every precaution to deliver your material in #1 condition. Any shipping damage should be noted with the driver. Mueller cannot be responsible for storage or handling damage to material after the delivery. The owner should follow the recommended storage procedures.



**EASY ON-SITE FORKLIFT DELIVERY AVAILABLE**

PART #	PAGE #	PART #	PAGE #	PART #	PAGE #	PART #	PAGE #
#0110	3	#0501	8, 23	#0912	16	#1460	11
#0111	3	#0502	23	#0920	8	#1462	11, 25
#0120	3	#0503	24	#0930	8	#1463	12, 25
#0130	3	#0504	16	#0940	8	#1464	25
#0140	3	#0505	24	#0999	8, 26	#1465	25
#0150	3	#0506	16	#1000	9, 24	#1466	25
#0151	4	#0507	8	#1001	24	#1467	25
#0152	4	#0508	9	#1002	24	#1470	26
#0160	4	#0510	24	#1003	14, 15	#1471	12
#0161	4	#0520	9, 24	#1005	16	#1473	10
#0162	4	#0523	9, 24	#1010	9	#1474	12
#0163	4	#0524	9, 24	#1020	24	#1476	26
#0170	14	#0540	13, 27	#1100	10	#1477	26
#0180	14	#0541	27	#1101	24	#1478	26
#0200	5, 20	#0542	16	#1102	24	#1479	26
#0201	16	#0543	27	#1103	10	#1480	26
#0202	5, 20	#0610	9	#1105	25	#1481	13, 27
#0203	5, 20	#0613	9	#1106	25	#1483	13, 27
#0204	5, 20	#0620	9	#1107	16	#1484	28
#0206	16	#0621	9	#1110	25	#1486	13, 28
#0207	20	#0622	9	#1111	10	#1487	28
#0209	21	#0623	9	#1122	11	#1488	13, 28
#0210	20	#0624	9	#1130	11	#1489	13, 28
#0212	5, 21	#0630	24	#1140	11	#1490	26
#0220	21	#0633	9	#1200	22	#1491	26
#0221	5, 21	#0640	24	#1302	5, 21	#1492	26
#0222	5, 21	#0643	9	#1307	5, 21	#1493	26
#0230	5, 21	#0650	24	#1322	5, 21	#1494	26
#0240	5, 21	#0701	23	#1332	5, 21	#1495	26
#0300	6	#0702	7, 22	#1401	16	#1496	26
#0302	6	#0703	7, 22	#1402	25	#1497	26
#0303	6	#0704	7, 22	#1404	15	#1498	12
#0310	6	#0705	7, 22	#1405	13, 28	#1500	12
#0320	6	#0706	7, 22	#1406	13, 28	#1501	12
#0321	19	#0707	14	#1407	28	#1502	12
#0322	19	#0713	7, 22	#1408	28	#1503	12
#0323	19	#0714	7, 22	#1409	13, 28	#1504	22
#0324	19	#0715	16	#1410	11	#1510	20
#0326	20	#0716	7, 22	#1412	25	#1600	15
#0327	4, 19	#0720	16	#1413	13, 28	#1610	15
#0328	20	#0721	16	#1414	13, 28	#1620	15
#0329	4, 19	#0723	16	#1415	28	#1630	15
#0330	6	#0724	27	#1416	28	#1640	15
#0331	14	#0725	27	#1417	13, 28	#1650	15
#0332	4, 19	#0726	27	#1418	27	#1700	15
#0333	4, 20	#0727	22	#1419	27	#1701	15
#0334	4, 19	#0728	22	#1421	27	#1702	15
#0335	4, 20	#0761	27	#1499	27	#1703	15
#0336	4, 19	#0762	27	#1420	11	#1704	15
#0337	4, 19	#0800	8, 23	#1430	11	#1705	15
#0338	4, 20	#0801	14	#1431	17	#1706	15
#0339	4, 20	#0802	23	#1432	17	#1800	22
#0340	6	#0803	23	#1440	11	#1801	17
#0341	6	#0804	16	#1441	11	#1802	17
#0342	14	#0805	14	#1442	11	#1803	17
#0350	6	#0806	14	#1445	11	#1804	17
#0351	6	#0807	14	#1446	17	#1805	17
#0352	7	#0809	23	#1448	12	#1806	17
#0360	6	#0810	8	#1449	12	#1807	17
#0380	6	#0811	16	#1450	11	#1809	22
#0382	6	#0813	8	#1452	11	#1810	22
#0400	6	#0814	8	#1453	11	#1900	14
#0410	6	#0851	23	#1454	17	#1901	14
#0420	6	#0852	23	#1455	25		
#0430	6	#0853	23	#1456	25		
#0440	6	#0906	5, 21	#1457	17		
#0500	8, 23	#0907	5, 21	#1458	17		

# Find out more about Mueller products

**Call** **877-2-MUELLER**  
**(877-268-3553)**

This toll-free number connects you to one of our sales locations across the Southwest.

**Click** **[www.MuellerInc.com](http://www.MuellerInc.com)**

Our interactive website offers photos and all the details of our metal products.

**Come By** **Branch Locations**

Our branches are staffed with experts who are always happy to answer any questions you may have.



## steel building & residential metal roofing trim components



IronClad Guarantee

TRIM CATALOG REV. 09/22